

see what Delta can do™

## BATHROOM FAUCET

- Classic Series
- Single Handle Deck Mount

### FEATURES:

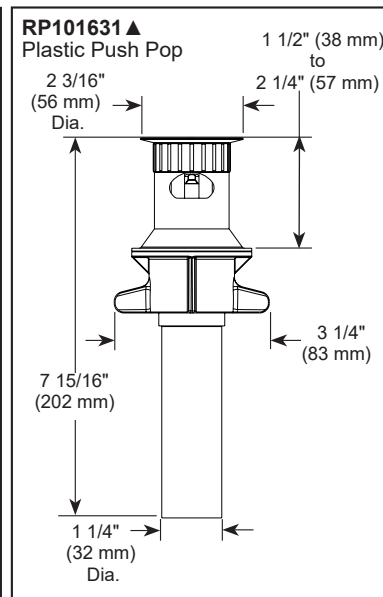
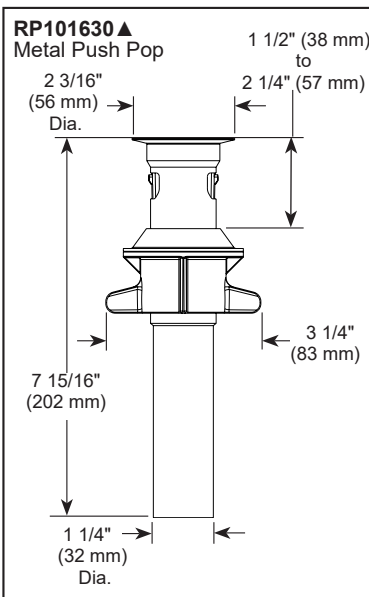
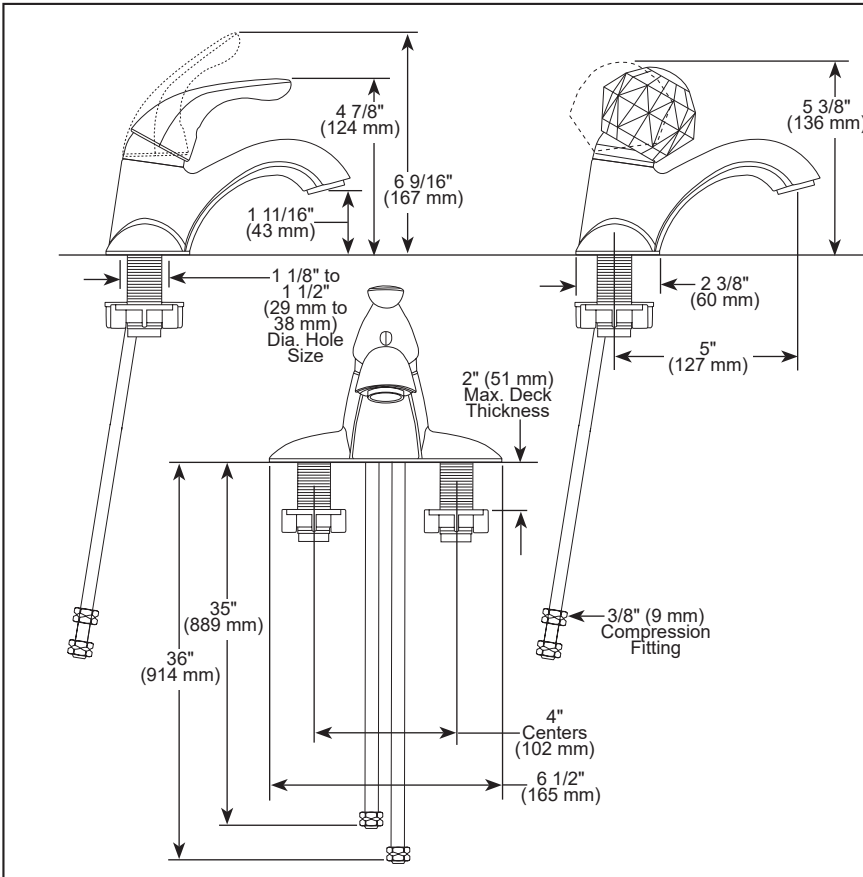
- DIAMOND Seal® Technology

### STANDARD SPECIFICATIONS:

- Max. flow rate 1.2 gpm @ 60 psi, 4.5 L/min @ 414 kPa
- GPM indicates max flow rate 1.0 gpm @ 60 psi, 3.8 L/min @ 414 kPa
- HGM indicates max flow rate 0.5 gpm @ 60 psi, 1.9 L/min @ 414 kPa
- Three hole mount
- Diamond coated ceramic cartridge
- 3/8" O.D. straight, staggered PEX supply lines
- Red/blue indicator markings
- Includes cartridge limit switch to allow maximum hot water mix of 50%
- Models 520-DST, 520-MPU-DST, 520-TP, 520-TPM, 520-HGM, and 520-GPM-DST have metal drain with push pop-up type fitting with plated flange and stopper, no lift rod hole
- Models 520-PPU-DST, have plastic drain with push pop-up type fitting with plated flange and stopper, no lift rod hole

### WARRANTY

- Parts and Finish - Lifetime limited warranty; or for commercial purchasers, 10 years for multi-family residential (apartments and condominiums) and 5 years for all other commercial uses, in each case from the date the product is received by the original purchaser or their authorized representative (installation contractor, etc.).
- Electronic Parts and Batteries (if applicable) - 5 years from the date the product is received by the original purchaser or their authorized representative (installation contractor, etc.); or for commercial purchasers, 1 year from the date the product is received by the original purchaser or their authorized representative (installation contractor, etc.). No warranty is provided on batteries.
- Please go to [www.deltafaucet.com](http://www.deltafaucet.com) for the complete details of our limited warranty.



### ▲ Designate Proper Finish Suffix

Delta reserves the right (1) to make changes in specifications and materials, and (2) to change or discontinue models, both without notice or obligation. Dimensions are for reference only. See current full-line price book or [www.deltafaucet.com](http://www.deltafaucet.com) for finish options and product availability.



### COMPLIES WITH:

- ASME A112.18.1 / CSA B125.1
- ASME A112.18.2 / CSA B125.2
- ICC/ANSI A117.1 - Valve control only
- - Applies to 500-DST, 501-DST, 501-TP-DST, 520-DST, 520-MPU-DST, 520-PPU-DST, 520-TP-DST, 520-TPM-DST, 520-HGM-DST, 520-GPM-DST
- EPA WaterSense® - Applies to all models except 520-HGM-DST

### Delta Faucet Company

55 E. 111th Street, Carmel, IN 46280  
350 South Edgeware Road, St. Thomas, ON N5P 4L1  
© 2024 Delta Faucet Company