



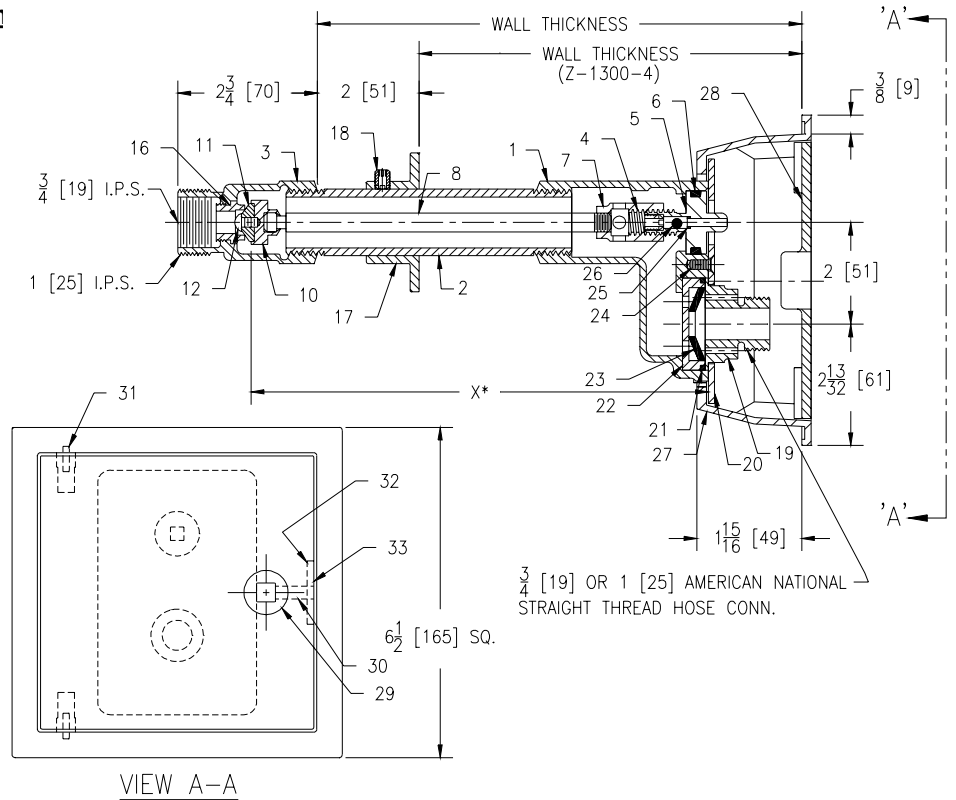
Z-1300 & Z-1385 General Product Information

Dimensional Data (inches and [mm]) are Subject to Manufacturing Tolerances and Change Without Notice

Zurn Industries, Specification Drainage Engineering, has done extensive testing and researched to develop a complete line of hydrants to meet any job condition. Zurn offers both wall and ground hydrants for warm or cold climates. Pictured below are two of our most popular hydrants, Z-1300 and Z-1385. Use the following illustrations for general information and ordering replacement parts. For assistance consult your local Zurn Specification Drainage Sales Representative.

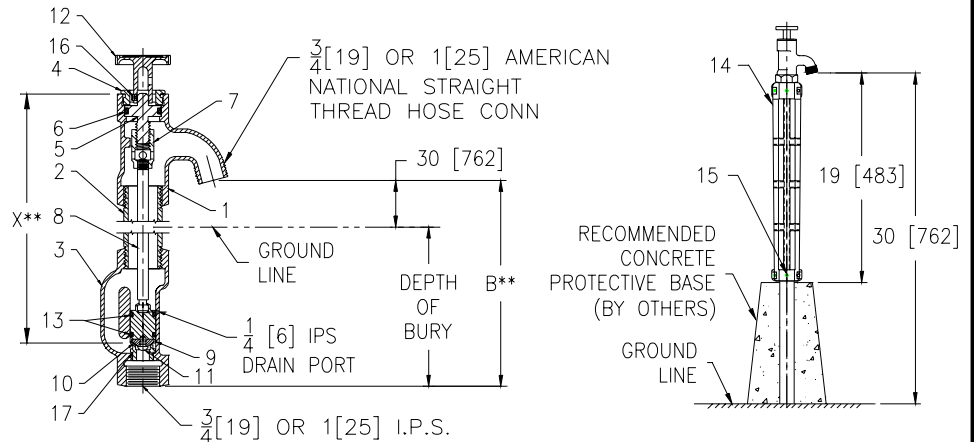
Z-1300 PARTS LIST

Item	Name	Quan
1	Head	1
2	Casing	1
3	Valve Housing	1
4	Screw	1
5	Operating Screw	1
6	O-Ring	1
7	Operating Coupling	1
8	Operating Rod	1
9	Washer Guide	1
10	Washer (Neoprene)	1
11	Screw	1
12	Screw 3/16-24 N.C.	1
13	Key (Not Shown)	1
14	Key Setscrew (When Spec.)	1
15	Union Ell	1
16	Removable Seat	1
17	Wall Locknut	1
18	Locknut Screw	1
19	Nozzle	1
20	Wall Plate	1
21	O-Ring	1
22	Disc	1
23	"Equa-Balance" Seal	1
24	Screw	5
25	O-Ring	1
26	Ball	1
27	Body	1
28	Cover	1
29	Lock Pin Mounting	1
30	Lock Pin	1
31	Hinge Pin	2
32	Lock Clip	1
33	Screw	2



Z-1385 PARTS LIST

Item	Name	Quan
1	Head	1
2	Casing	1
3	Valve Housing	1
4	Face Nut	1
5	Operating Screw	1
6	O-Ring	1
7	Operating Coupling	1
8	Operating Rod	1
9	Washer Guide	1
10	Washer (Neoprene)	1
11	Screw 3/16-24 N.C.	1
12	Key	1
13	O-Ring	2
14	Casing Guard	1
15	Setscrew	2
16	Setscrew (When Spec.)	1
17	Removable Seat	1



Form # H5

Date: 8/16/99

C.N. No. 83143

Rev.

ZURN INDUSTRIES, INC. ♦ SPECIFICATION DRAINAGE OPERATION ♦ 1801 Pittsburgh Ave. ♦ Erie, PA 16514

Phone: 814/455-0921 ♦ Fax: 814/454-7929 ♦ World Wide Web: www.zurn.com

In Canada: ZURN INDUSTRIES LIMITED ♦ 3544 Nashua Drive ♦ Mississauga, Ontario L4V1L2 ♦ Phone: 905/405-8272 Fax: 905/405-1292