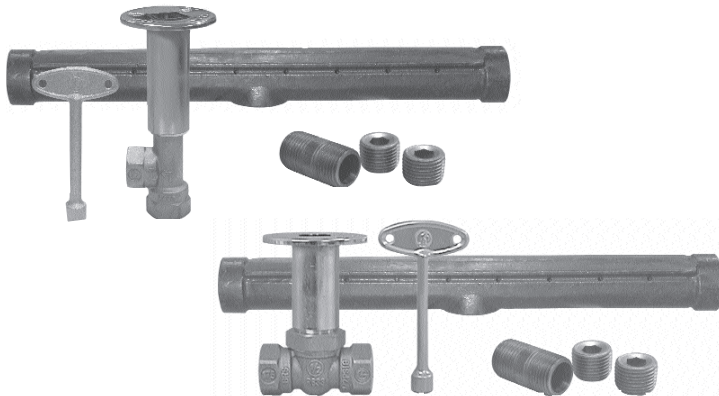


# SPECIFICATION SUBMITTAL SHEET

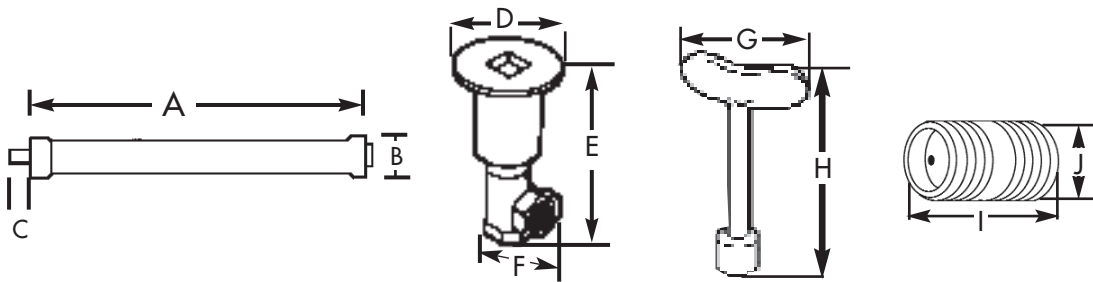
jones stephens corporation

## LOG LIGHTER VALVES WITH T-BURNERS



### features and benefits:

- Solid brass escutcheon, 1/4" key and close nipple orifice included
- Individually tested (pressure test open and closed after installation)
- Angle: 188,000 BTU / Straight: 120,000



| PART NO.                         | DESCRIPTION             | A       | B      | C      | D      | E      |
|----------------------------------|-------------------------|---------|--------|--------|--------|--------|
| <input type="checkbox"/> L75-406 | CP angle natural gas    | 12 1/4" | 1 1/4" | 1 1/2" | 2 1/4" | 2 3/4" |
| <input type="checkbox"/> L75-407 | PB angle natural gas    | 12 1/4" | 1 1/4" | 1 1/2" | 2 1/4" | 2 3/4" |
| <input type="checkbox"/> L75-408 | CP straight natural gas | 12 1/4" | 1 1/4" | 1 1/2" | 2 1/4" | -      |
| <input type="checkbox"/> L75-409 | PB straight natural gas | 12 1/4" | 1 1/4" | 1 1/2" | 2 1/4" | 2 3/4" |
| <input type="checkbox"/> L75-400 | CP angle LPG            | 12 1/4" | 1 1/4" | 1 1/2" | 2 1/4" | 4"     |
| <input type="checkbox"/> L75-401 | PB angle LPG            | 12 1/4" | 1 1/4" | 1 1/2" | 2 1/4" | 2 3/4" |
| <input type="checkbox"/> L75-402 | CP straight LPG         | 12 1/4" | 1 1/4" | 1 1/2" | 2 1/4" | 2 3/4" |
| <input type="checkbox"/> L75-403 | PB straight LPG         | 12 1/4" | 1 1/4" | 1 1/2" | 2 1/4" | 2 3/4" |

| PART NO.                         | F      | G  | H      | I  | J    | K      | L      |
|----------------------------------|--------|----|--------|----|------|--------|--------|
| <input type="checkbox"/> L75-406 | 1 1/4" | 2" | 3 3/4" | 3" | 1/2" | -      | -      |
| <input type="checkbox"/> L75-407 | 1 1/4" | 2" | 3 3/4" | 3" | 1/2" | -      | -      |
| <input type="checkbox"/> L75-408 | 1 1/4" | 2" | 3 3/4" | 3" | 1/2" | 4"     | 2 1/2" |
| <input type="checkbox"/> L75-409 | 1 1/4" | 2" | 3 3/4" | 3" | 1/2" | 3 3/4" | 2 5/8" |
| <input type="checkbox"/> L75-400 | 1 1/4" | 2" | 3 3/4" | 3" | 1/2" | -      | -      |
| <input type="checkbox"/> L75-401 | 1 1/4" | 2" | 3 3/4" | 3" | 1/2" | -      | -      |
| <input type="checkbox"/> L75-402 | 1 1/4" | 2" | 3 3/4" | 3" | 1/2" | 4"     | 2 5/8" |
| <input type="checkbox"/> L75-403 | 1 1/4" | 2" | 3 3/4" | 3" | 1/2" | 4"     | 2 5/8" |