

# Oetiker Stainless Steel PEX Clamp

Job Name \_\_\_\_\_  
 Location \_\_\_\_\_  
 Engineer \_\_\_\_\_  
 Contractor \_\_\_\_\_  
 Tag \_\_\_\_\_ PO# \_\_\_\_\_

### Specifications

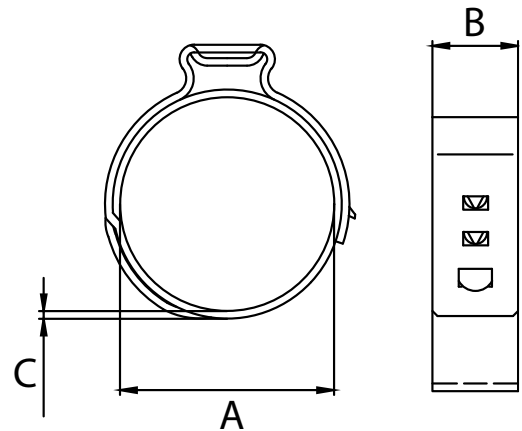
Manufactured to the highest industry standards, Jones Stephens' F1807 crimp fittings provide precise, leak-free connections. The secure and reliable crimp fitting method provides full, immediate strength upon installation, with 360-degree uniform pressure. Approved for use with PEX-A piping.

### Applications

Jones Stephens' Oetiker Stainless Steel PEX Clamps are approved for use with commercial and residential non-potable water applications.

### Materials

Stainless Steel



**PRODUCT OFFERING ON PAGE 2**

**Dimensions and Product Offering**

PART NO.	SIZE	A - IN (MM)	A TOLERANCE ±IN(MM)	B - IN (MM)	B TOLERANCE ±IN(MM)	C - IN (MM)	C TOLERANCE ±IN(MM)	WEIGHT - LBS (G)	WEIGHT TOLERANCE ±LBS (G)
<b>C76074</b>	0.37	0.51 (12.95)	(+.015-.004) ((+.4-.1))	0.28 (7.00)	(+.015-.004) ((+.4-.1))	0.02 (0.60)	0.004 (0.10)	0.01 (4.54)	0.001 (0.45)
<b>C76075</b>	0.50"	0.62 (15.80)	(+.015-.004) ((+.4-.1))	0.28 (7.00)	(+.015-.004) ((+.4-.1))	0.02 (0.60)	0.004 (0.10)	0.01 (4.54)	0.001 (0.45)
<b>C76076</b>	0.75"	0.89 (22.50)	(+.015-.004) ((+.4-.1))	0.35 (9.00)	(+.015-.004) ((+.4-.1))	0.03 (.80)	0.004 (0.10)	0.02 (9.07)	0.001 (0.45)
<b>C76077</b>	1.00"	1.13 (28.75)	(+.015-.004) ((+.4-.1))	0.39 (10.00)	(+.015-.004) ((+.4-.1))	0.03 (.80)	0.004 (0.10)	0.02 (9.07)	0.001 (0.45)