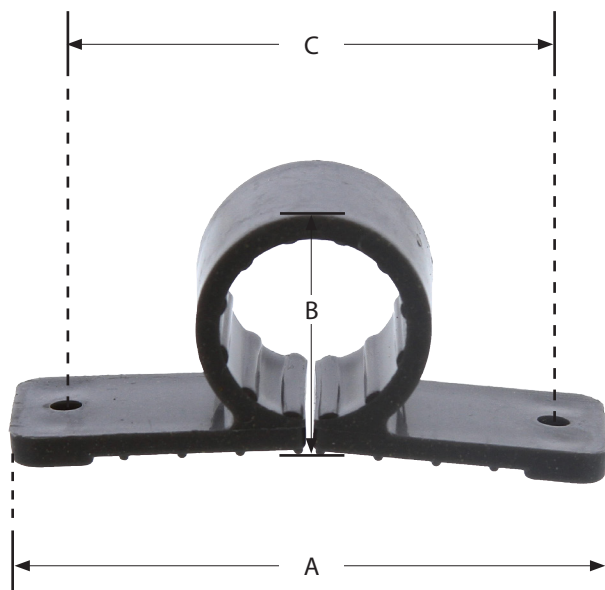


## PLASTIC STANDARD PIPE CLAMP



- Safely secures pipe to mounting surfaces
- Corrosion resistant plastic clamp eliminates noise from tubing expansion and contraction
- Isolates against dissimilar metal contact
- Two holes for nails or screws
- Supports copper, CPVC, PEX tubing, and other piping systems



Part No.	Size	A	B	C
H28050	0.50"	2.00"	0.87"	1.50"
H28075	0.75"	2.37"	1.12"	1.62"
H28100	1.00"	2.77"	1.39"	2.35"
H28125	1.25"	2.79"	1.67"	2.39"
H28150	1.50"	3.03"	1.93"	2.40"
H28200	2.00"	3.46"	2.42"	3.10"