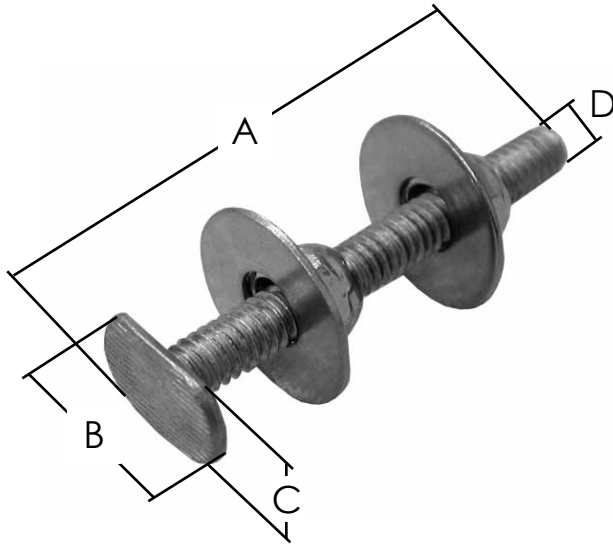


# SPECIFICATION SUBMITTAL SHEET

JONES STEPHENS CORPORATION

## CLOSET BOLT - ELITE PACKS



### features and benefits:

- Packed with 4 acorn nuts and 4 washers
- Washer width - 7/8"
- Washer thickness - 1/16"
- Nut width - 9/16"
- Nut thickness - 3/8"
- CARTON QUANTITIES ONLY

This product and others like it can be found in the Jones Stephens catalog. Call today to order your catalog or download it from our website:  
[www.plumbest.com](http://www.plumbest.com)

PART NO.	DESCRIPTION	A	B	C	D
□ C02-999	1/4" x 2 1/4" brass plated bolts	2 1/4"	3/4"	1/2"	1/4"

Jones Stephens Corporation  
3249 Moody Parkway • Moody, Alabama 35004  
Toll Free Phone: 1-800-355-6637 • Toll Free Fax: 1-800-462-6991  
[www.plumbest.com](http://www.plumbest.com)