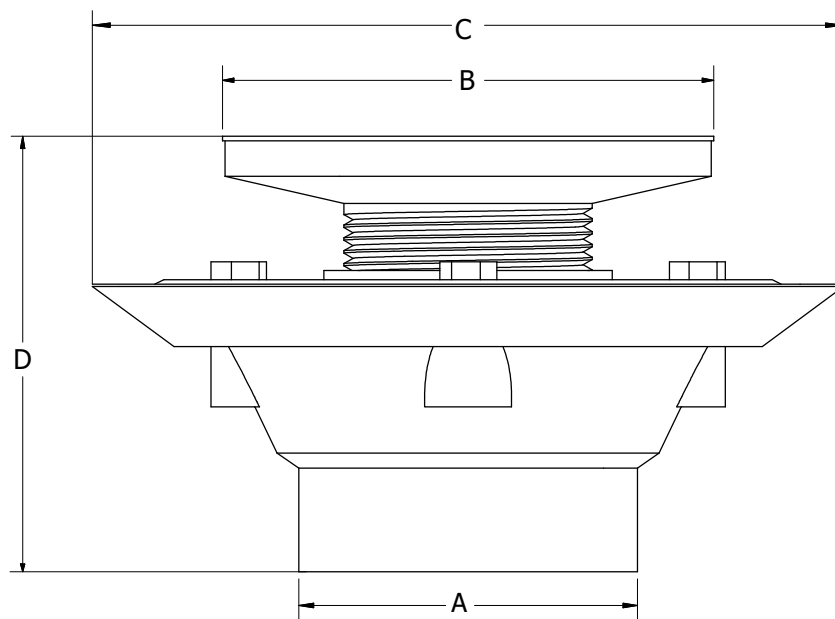


2" X 3" SHOWER DRAIN WITH 2" METAL SPUD AND 4" STRAINER



- Fits over 2" or inside 3" Schedule 40 DWV pipe
- Low profile for first and second floor installations
- Beveled edge allows for recessed installation
- Reversible clamping ring for additional 1/2" height adjustment
- Brass inserts ensure secure clamping of membrane
- Dual weep holes
- Recessed sump area for added drainage



Part No.				Strainer - Shape	Strainer - Finish	A - Pipe Size	B	C	D
PVC	ABS	PVC w/ Test Plug	ABS w/ Test Plug						
D50102	D50402	D50102TP	D50402TP	Round	Chrome Plated	2.39" ID, 3.04" OD	4"	6.50"	3.12" - 4.40"
D50101	D50401	D50101TP	D50401TP	Round	Stainless Steel	2.39" ID, 3.04" OD	4"	6.50"	3.12" - 4.40"
D50111	D50411	D50111TP	D50411TP	Round	Polished Brass	2.39" ID, 3.04" OD	4"	6.50"	3.12" - 4.40"
D5001BN	-	D5001BNTP	-	Round	Brushed Nickel	2.39" ID, 3.04" OD	4"	6.50"	3.12" - 4.40"
D5001RB	-	D5001RBTP	-	Round	Oil Rubbed Bronze	2.39" ID, 3.04" OD	4"	6.50"	3.12" - 4.40"
D5001WB	-	D5001WBTP	-	Round	Old World Bronze	2.39" ID, 3.04" OD	4"	6.50"	3.12" - 4.40"