



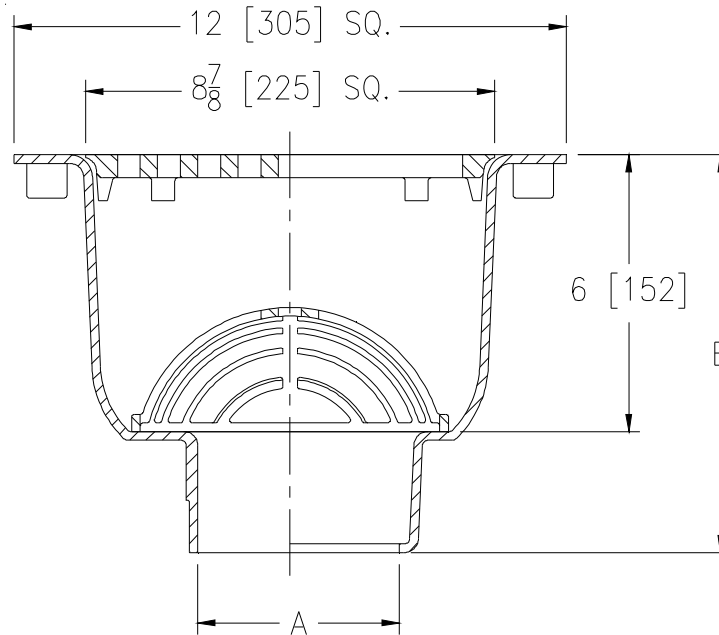
Z1900-2

12 x 12 [305 x 305] A.R.E. SANI-FLOR RECEPTOR
6 [152] SUMP DEPTH W/ 1/2 GRATE

SPECIFICATION SHEET

TAG _____

Dimensional Data (inches and [mm]) are Subject to Manufacturing Tolerances and Change Without Notice



A Pipe Size In [mm]	Approx Wt. Lbs. [kg]	Grate Open Area Sq. In. [cm ²]
2,3,4 [51,76,102]	23 [10]	72 [465]

ENGINEERING SPECIFICATION: ZURN Z1900-2

Sani-Flor Receptor 12" x 12" x 6" [305mm x 305mm x 152mm] deep cast iron body and square slotted light duty 1/2 grate, with white acid resisting porcelain enamel interior and top, black ground enamel exterior coating, and white ABS anti-splash interior bottom dome strainer.

OPTIONS (Check/specify appropriate options)

PIPE SIZE

3,4 [76,102]
2,3,4 [51,76,102]
2,3,4 [51,76,102]

(Specify size/type) OUTLET

___ IC Inside Caulk
___ NH No-Hub
___ NL Neo-Loc

'E' BODY HT. DIMENSION

Z	ZN / ZS
8-5/8 [219]	9-1/8 [232]
8-5/8 [219]	9-1/8 [232]
8 [203]	8-1/2 [216]

PREFIXES

- ___ Z Cast Iron Body with White A.R.E. Interior*
- ___ ZN Cast Iron Body with White A.R.E. Interior, 12-1/2 [317] Square Nickel Bronze Frame and 1/2 Grate with 1/2 [13] Openings
- ___ ZS Cast Iron Body with White A.R.E. Interior, 12-1/2 [317] Square Stainless Steel Frame and 1/2 Grate with 1/2 [13] Openings

SUFFIXES

- | | |
|---|---|
| ___ -DX Dex-o-Tex Flange (ZN Only) | ___ -TC Neo-Loc Test Cap Gasket (2,3,4 [51,76,102] NL Bottom Outlet Only) |
| ___ -HD Stainless Steel Frame w/ Extra Heavy-Duty Stainless Steel Grate (ZS Only) | ___ -VPS Vandal-Proof Strainer |
| ___ -HP Heel-Proof Grate (ZN Only) | ___ -11 Vandal-Proof Secured Top (ZN & ZS Only) |
| ___ -K Anchor Flange with Seepage Holes | ___ -23 Aluminum Bucket |
| ___ -KC Anchor Flange with Seepage Holes and Clamp Collar | ___ -25 White A.R.C. Bucket |
| ___ -LD (Less) Bottom Dome Strainer | ___ -31 Stainless Steel Mesh Liner for Bucket |
| ___ -P 1/2 [13] Trap Primer Connection (See Z1023) | ___ -32 Aluminum Dome Strainer |
| ___ -SA Stabilizer Assembly (See Z1903) | ___ -33 White A.R.C. Anti-Splash Bottom Dome Strainer |

* Regularly furnished unless otherwise specified.