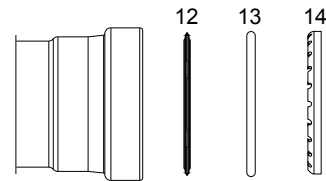
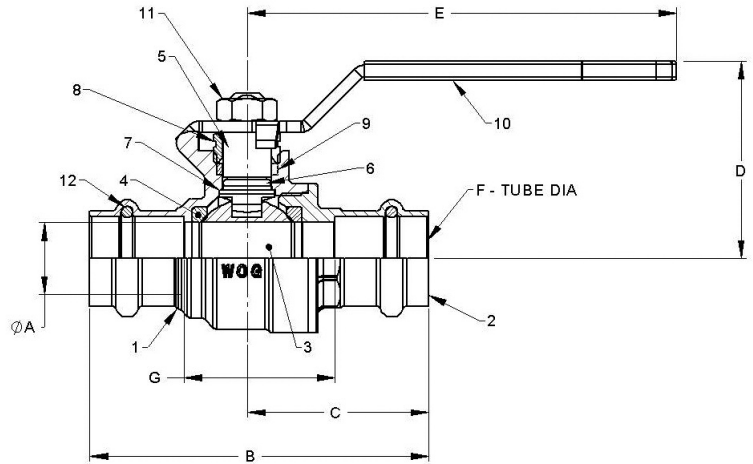




# BA-480B\* 1/2" - 3"

**Brass Ball Valve**  
**Two-Piece, Full Port**  
**Press X Press Ends**  
**200 PSIG @ 250° F**  
**Blow-Out Proof Stem**

MATERIALS LIST			
ITEM	PART	MATERIAL	ASTM/SPEC
1	Body	Brass, Forged	B283
2	Tailpiece	Brass, Forged	B283
3	Ball	CP Brass Ball	B283
4	Ball Seat	PTFE	Commercial
5	Stem	Brass	B124
6	Stem O-Ring	Buna-N	D2000
7	Thrust Washer	PTFE	Commercial
8	Gland Nut	Brass	B124
9	Packing	PTFE	Commercial
10	Handle	Zinc Plated Steel	Commercial
11	Handle Nut	Zinc Plated Steel	Commercial
12**	Backing Ring	Plastic	Commercial
13**	Tube O-Ring	EPDM	Commercial
14**	Gripping Ring	Stainless Steel	Commercial



\*Ultra Press Valves are designed and qualified for use in copper tubing systems only, Types K, L, & M per ASTM B88. For Installation Instructions please see engineering section on website.

\*\* 2 1/2" & 3" only (Not NSF Approved). 2 1/2" & 3" Requires XLC installation jaws.

DIMENSIONS		1/2"	3/4"	1"	1-1/4"	1-1/2"	2"	2-1/2"	3"
Size		DN15	DN20	DN25	DN32	DN40	DN50	DN65	DN80
A	inch	0.51	0.76	0.98	1.26	1.50	2.00	2.48	2.95
	mm	13	19	25	32	38	51	63	74.9
B	inch	3.15	3.70	4.29	4.84	5.91	7.43	11.92	14.97
	mm	80	94	109	123	150	188.72	302.9	357.4
C	inch	1.41	1.66	1.80	2.10	2.50	3.49	5.96	7.04
	mm	36	42	46	53	64	88.65	151.4	178.7
D	inch	1.46	1.93	2.10	2.33	2.52	2.96	3.94	4.12
	mm	37	49	53	59	64	75	100.1	111
E	inch	3.14	4.35	4.35	5.00	5.00	6.90	7.87	7.87
	mm	80	110	110	127	127	175	199.9	199.9
F	inch	0.63	0.88	1.13	1.38	1.63	2.13	2.63	3.13
	mm	15	20	25	32	40	50	66.80	79.50
G	inch	1.50	1.73	2.32	2.79	3.07	3.75	4.28	5.02
	mm	38	44	59	71	78	95	108.8	125.3
Cv		18	40	72	112	161	287	448	645
TORQUE	in. lb	19	58	69	89	124	210	445	563
	N.m	2.1	6.5	7.8	10	14	24		
WEIGHT	lbs.	0.41	0.80	1.15	1.66	2.47	4.90	7.1	10.2
	grams	186	363	521	753	1120	2222	3.22	4.62



Rev. 8

The information presented on this sheet is correct at the time of publication. Milwaukee Valve reserves the right to change design, and/or material specifications without notice. For the Installation, Operation and Maintenance Manual (IOM) see the engineering section on our website. For the most current information access [www.milwaukeevalve.com](http://www.milwaukeevalve.com)

