

# SUBMITTAL FOR CHARLOTTE PIPE® HUBLESS CAST IRON SOIL PIPE AND FITTINGS

Date: \_\_\_\_\_

Job Name: \_\_\_\_\_

Location: \_\_\_\_\_


Engineer: \_\_\_\_\_

Contractor: \_\_\_\_\_

**► Scope:**

This specification covers Hubless Cast Iron pipe, fittings, and couplings used in sanitary drain, waste and vent (DWV), sewer, and storm drainage applications. This system is intended for use in non-pressure applications.

**► Specification:**

Hubless Cast Iron pipe and fittings shall be manufactured from gray cast iron and shall conform to ASTM A 888 and CISPI Standard 301. All pipe and fittings shall be marked with the collective trademark of the Cast Iron Soil Pipe Institute®  and listed by NSF® International. Hubless Couplings shall conform to CISPI Standard 310, shall be manufactured in the United States, and be certified by NSF® International. Heavy Duty and Medium Duty couplings shall conform to ASTM C 1540, shall be manufactured in the United States, and shall be used if indicated.

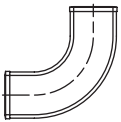

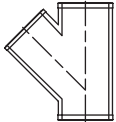
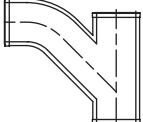

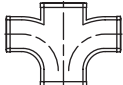
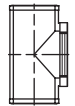
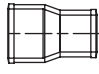

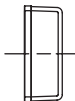
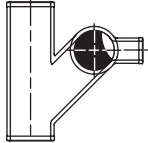
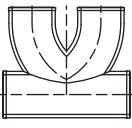
**► Installation:**

Installation shall comply with the latest installation instructions published by Charlotte Pipe and Foundry Company® and shall conform to all applicable plumbing, fire, and building code requirements. The system shall be hydrostatically tested after installation to 10 ft. of head (4.3 psi maximum). **WARNING!** Never test with or transport/store compressed air or gas in Cast Iron pipe or fittings. Doing so can result in explosive failures and cause severe injury or death.

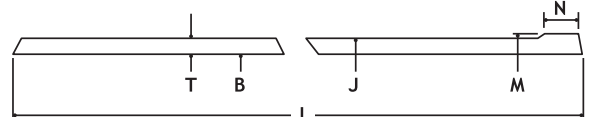
**► Referenced Standards:**

- ASTM C 564: Rubber Gaskets for Cast Iron Soil Pipe and Fittings
- CISPI 301: Hubless Cast Iron Soil Pipe and Fittings
- CISPI 310: Hubless Couplings for Cast Iron Soil Pipe and Fittings
- ASTM C 1277: Hubless Couplings
- ASTM C 1540: Hubless Medium Duty and Heavy Duty Couplings



|   |   |   |   |
|---|---|---|---|
| <br>1/4 Bend | <br>1/8 Bend   | <br>Wye          | <br>Combination      |
| <br>San Tee  | <br>San Cross  | <br>Test Tee     | <br>Reducer          |
| <br>"P" Trap | <br>Blind Plug | <br>Figure Eight | <br>Two-Way Cleanout |

**Not all fitting patterns shown**



**TABLE 1**  
DIMENSIONS AND TOLERANCES (IN INCHES) OF SPIGOTS  
AND BARRELS FOR NO-HUB PIPE AND FITTINGS

| Size  | Inside Barrel Diameter | Outside Diameter Barrel | Outside Diameter Spigot | Width Spigot Bead N | Thickness of Barrel |        | Gasket Positioning Lug |
|-------|------------------------|-------------------------|-------------------------|---------------------|---------------------|--------|------------------------|
|       | B                      | J                       | M                       | (± .13)             | T-Nom.              | T-Min. | W                      |
| 1 1/2 | 1.50 ± .09             | 1.90 ± .06              | 1.96 ± .06              | .25                 | .16                 | .13    | 1.13                   |
| 2     | 1.96 ± .09             | 2.35 ± .09              | 2.41 ± .09              | .25                 | .16                 | .13    | 1.13                   |
| 3     | 2.96 ± .09             | 3.35 ± .09              | 3.41 ± .09              | .25                 | .16                 | .13    | 1.13                   |
| 4     | 3.94 ± .09             | 4.38 ± .09              | 4.44 ± .09              | .31                 | .19                 | .15    | 1.13                   |
| 5     | 4.94 ± .09             | 5.30 ± .09              | 5.36 ± .09              | .31                 | .19                 | .15    | 1.50                   |
| 6     | 5.94 ± .09             | 6.30 ± .09              | 6.36 ± .09              | .31                 | .19                 | .15    | 1.50                   |
| 8     | 7.94 ± .13             | 8.38 ± .09              | 8.44 ± .09              | .31                 | .23                 | .17    | 2.00                   |
| 10    | 10.00 ± .13            | 10.56 ± .09             | 10.62 ± .09             | .31                 | .28                 | .22    | 2.00                   |
| 12    | 11.94 ± .09            | 12.50 ± .13             | 12.62 ± .13             | .31                 | .28                 | .22    | 2.75                   |
| 15    | 15.11 ± .09            | 15.83 ± .13             | 16.12 ± .13             | .31                 | .36                 | .30    | 2.75                   |

**Note:** Charlotte Pipe does not recommend or warrant installations joined with unshielded hubless couplings.

Charlotte Pipe and Foundry Company • P.O. Box 35430 Charlotte, NC 28235 • (800) 438-6091 • [www.charlottepipe.com](http://www.charlottepipe.com)

Charlotte Pipe and Charlotte Pipe and Foundry Company are registered trademarks of Charlotte Pipe and Foundry Company.