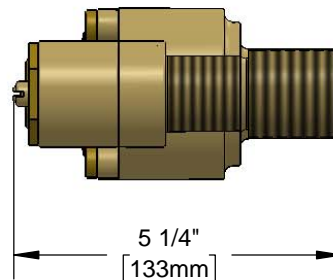
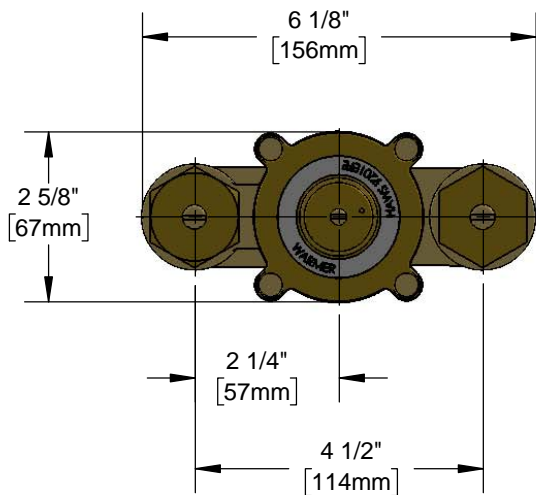
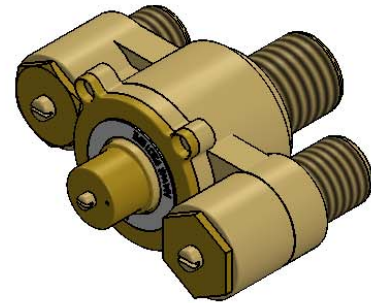




Architect/Engineering Specifications:

Brass thermostatic mixing valve with fail-safe back up, check valves, 1/2" NPT female inlets and 3/4" female outlet. Certified to ANSI Z358.1.

Job Name _____
 Model Specified _____ Quantity _____
 Variations Specified _____
 Date _____



Features & Benefits:

- Brass thermostatic mixing valve with fail-safe back up
- Check valves
- 1/2" NPT female inlets
- 3/4" female outlet
- Material: Brass

Product Compliance:

- ANSI Z358.1 (Latest Revision)
- NSF 61 Exempt (Non-Potable)



Warranty: One Year (Limited)

Performance Data:

- Pressure: 30 - 90 psi
- Temperature: 60 °F - 100 °F
- Flow Rate: 1 to 12 GPM @ 60 psi

