

CHICAGO FAUCETS
a Geberit company

2100 South Clearwater Drive
Des Plaines, IL 60018
Phone: 847-803-5000
Fax: 847-803-5454
www.chicagofaucets.com

REPAIR PARTS

BY: JAR DATE: 10-27-08

CHK: *JAR* REV:

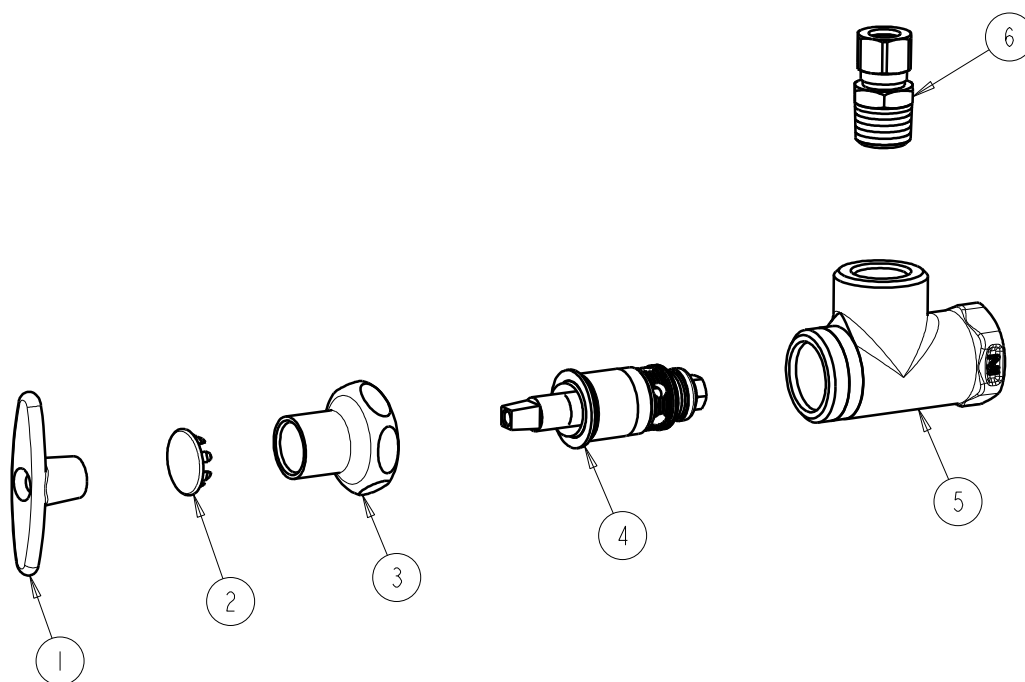
FITTING NO.

1013-ABCP

SUBMITTED MODEL NO.

ITEM NO.

FOR TECHNICAL ASSISTANCE
1-800-TEC-TRUE (1-800-832-8783)



ITEM	PART NO.	DESCRIPTION
1	293-006JKRCF	HANDLE, TEE INCLUDES SCREW
2	1-144JKCP	BUTTON
3	1-246JKCP	NUT, CAP LOOSE KEY 1-1/8-18 UNEF
4	AB217-XTLHJKNF	CARTRIDGE, SLO-COMPRESSION
5	---	VALVE BODY (NOT SOLD SEPARATELY)
6	AB1022-007JKRCF	COMP. FITTING 3/8 TUBE X 3/8 NPT