

Installation Instructions: PE or Copper Tube

This fitting is intended for use with water pipe or tubing made from plastic and/or Type K, soft annealed copper, which is made in accordance with AWWA and/or ASTM specifications.

It is not necessary to disassemble the connection for installation.
If the connection is disassembled, it must be reassembled.

WARNING: The safe and reliable performance of this product requires correct installation only on the specific type of tubing or pipe described in the product literature, and which has been manufactured and verified by the installer to comply with the dimensional and physical performance criteria as set forth in the pertinent AWWA/ASTM standard for the tubing/pipe. Improper installation or use of this product on non-standard material could result in failure of the connection with the potential for serious bodily injury and/or property damage.

1. End of tubing or pipe must be round, free of burrs and clean.

IMPORTANT: A rigid, solid tubular stainless steel liner must be used inside the end of polyethylene plastic to prevent it from collapsing as connection is tightened and to provide support to allow the gasket in the connection to establish a reliable seal.

2. For PE plastic tubing or pipe, push the appropriate size of liner in until the flare on the liner rests solidly against the end of the tubing or pipe.

3. Insert tubing into body of fitting until it contacts the stop inside fitting. (If there is no stop in the fitting, see the reverse side of this tag, Installation of Compression Style Connection without Pipe Stop.)

4. Tighten the compression nut until it makes contact with the machined shoulder of the valve or fitting.

WARNING: Do not use a compressible medium such as air to check for water tightness – doing so could result in an explosive failure causing serious bodily injury or property damage.

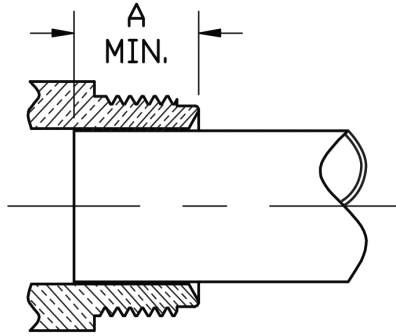
5. Pressure test for leakage before backfilling in accordance with ASTM D2774, latest addition.

IMPORTANT: Do not use gasket if gripper band has been removed or is missing. The 110 Compression Connection is not intended for reuse unless the gasket/gripper band assembly is replaced. Replacement gasket assemblies are available from the supplier.

Installation Instructions: PE or Copper Tube (continued)

Installation without Pipe Stop

This fitting is made without a mechanical stop to position the pipe or tubing when it is inserted into the connection. Ensure the pipe or tubing is inserted as shown in the following illustration to the depth given in the chart.



Pipe/Tubing Insertion Depth

Connection Type	Size	Dim. A
CTS	1/2"	11/16"
	5/8"	3/4"
	3/4"	3/4"
	1"	7/8"
	1-1/4"	1-1/8"
	1-1/2"	1-3/16"
	2"	1-1/4"
IPS	3/4"	1"
	1"	3/4"
	1-1/4"	1-7/16"
	1-1/2"	1-7/16"
	2"	1-1/2"

Phone: (800) 423-1323

By deviating from the above listed instructions, you will void any product warranty and release Mueller Co. and its affiliated entities from any and all liability associated with the installation or use of this product. For details on the product's warranty, terms, and conditions, please visit www.muellercompany.com.

© 2016 Mueller Co., LLC. All rights reserved.

Form 11352M 05/16