

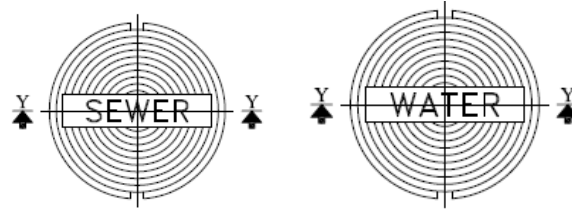
CAPITOL FOUNDRY OF VA, INC.

2856 CRUSADER CIRCLE
VIRGINIA BEACH, VA 23453

PHONE: (757) 427-9431

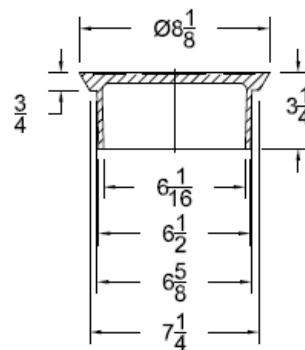
FAX: (757) 427-9308

www.capitolfoundry.net

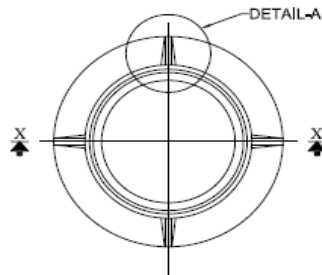


TOP VIEW

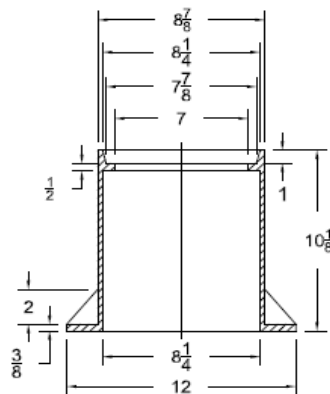
TOP VIEW



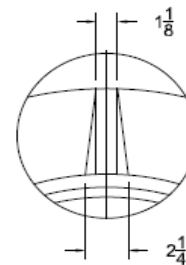
SECTION Y - Y



TOP VIEW (BODY)



SECTION X - X



DETAIL 'A'

GREENVILLE VALVE BOX & LID

MATERIAL SPEC: ASTM A-48 CLASS 35B

ITEM #VB-P107*