

ds®

**DALLAS SPECIALTY
& MFG. Co.**

Product Catalog 2008

At **Dallas Specialty** our goal is to be a leader in providing high quality products and service to the Wholesale plumbing, Irrigation, Water Works, Tile and Home Center Industries. Our focus after 25 years in the business has never changed: we remain flexible to our customers needs. Call us about a question on a part or ask us about a special product need, we will be there for you.



**Distribution Center
Grand Prairie, Texas**



**Manufacturing Plant
Greenville, Texas**



DALLAS SPECIALTY
& MFG. Co.

1161 Ruggles Drive • Grand Prairie Texas 75050
972-641-8444 • 1-800-222-5644 • fax 972-641-8488
www.dallasspecialty.com

IPC® stands for International Plumbing Code
IRC® stands for International Residential Code.



**PLUMBING
WATERWORKS
& UTILITY
PAGES 2-26**



**LAWN
IRRIGATION
& WATERWORKS
PAGES 27-33**



**TILE/SHOWER
KITCHEN
& BATH
PAGES 34-47**

Dallas Specialty Product Catalog

Plumbing, Waterworks & Utility



Flexible PVC Sewer Pipe Couplings Series 01 - 70

Flexible PVC Pipe Couplings are used for connecting Sewer & Drain and DWV Piping Systems to a variety of Piping Systems. Used for all types of in-house and sewer connections: drain, waste, vent piping, house-to-main, repairs, cut-ins, conductor and roof drains and increasers-reducers and expansion joints. Made of superior elastomeric (PVC) poly-vinyl chloride. They are resilient, highly recommended, and unaffected by soil conditions. The dimensional flexibility of Dallas Specialty couplings ensures leakproof seals on virtually any pipe material: plastic, cast iron, asbestos cement, clay, concrete, steel, fibre and ductile iron. These transition couplings will meet your needs for your piping connections. Installed operating temperatures are 32°F to 140°F non-consistent.



Clay x Clay

01 Series

Part No.	Size	Clamp Sizes	Case/Qty.
DS01-44	4 x 4"	88 - 88	18
DS01-55	5 x 5"	116 - 116	15
DS01-64	6 x 4"	128 - 116	12
DS01-65	6 x 5"	128 - 116	18
DS01-66	6 x 6"	128 - 128	12
DS01-86	8 x 6"	164 - 128	4
DS01-88	8 x 8"	164 - 164	9
DS01-1010	10 x 10"	200 - 200	3
DS01-1212	12 x 12"	248 - 248	6
DS01-1515	15 x 15"	312 - 312	4

18" through 27" available upon request

Clay x A/C Fibre Ductile Iron

03 Series

Part No.	Size	Clamp Sizes	Case/Qty.
DS03-44	4 x 4"	88 - 80	16
DS03-54	5 x 4"	116 - 96	12
DS03-55	5 x 5"	116 - 116	12
DS03-66	6 x 6"	128 - 128	12
DS03-88	8 x 8"	164 - 164	4
DS03-1010	10 x 10"	200 - 200	3
DS03-1212	12 x 12"	248 - 224	6

15" through 24" available upon request

Concrete x Clay

07 Series

Part No.	Size	Clamp Sizes	Case/Qty.
DS07-44	4 x 4	80 - 80	18
DS07-66	6 x 6"	132 - 128	12
DS07-88	8 x 8"	188 - 164	6
DS07-1010	10 x 10	212 - 212	3

A/C Fibre, Ductile Iron x Cast Iron/PVC

51 Series

Part No.	Size	Clamp Sizes	Case/Qty.
DS51-43	4 x 3"	80 - 60	24
DS51-44	4 x 4"	80 - 88	24
DS51-46	4 x 6"	80 - 116	15
DS51-54	5 x 4"	116 - 96	24
DS51-55	5 x 5"	104 - 96	18
DS51-63	6 x 3"	128 - 80	9
DS51-64	6 x 4"	128 - 80	9
DS51-65*	6 x 5"	140 - 116	12
DS51-66	6 x 6"	128 - 116	15
DS51-84*	8 x 4"	164 - 80	8
DS51-86*	8 x 6"	164 - 152	8
DS51-88	8 x 8"	164 - 152	12
DS51-108*	10 x 8"	200 - 188	2
DS51-1010	10 x 10"	200 - 188	3
DS51-1212	12 x 12"	224 - 212	3

15" through 18" available upon request

Clay x Cast Iron/PVC

02 Series

Part No.	Size	Clamp Sizes	Case/Qty.
DS02-42*	4 x 2"	88 - 60	1
DS02-43	4 x 3	88 - 60	36
DS02-44	4 x 4"	88 - 80	24
DS02-46	4 x 6"	96 - 116	12
DS02-53	5 x 3"	116 - 80	12
DS02-54	5 x 4"	116 - 80	12
DS02-55	5 x 5"	116 - 96	18
DS02-56	5 x 6"	116 - 116	15
DS02-63	6 x 3"	128 - 80	12
DS02-64	6 x 4"	128 - 80	12
DS02-65	6 x 5"	128 - 96	12
DS02-66	6 x 6"	128 - 116	18
DS02-68 w/0166 Bush	6 x 8"	152 - 152	12
DS02-84*	8 x 4"	164 - 80	8
DS02-86*	8 x 6"	164 - 116	8
DS02-88	8 x 8"	164 - 152	6
DS02-104*	10 x 4"	200 - 80	1
DS02-106*	10 x 6"	200 - 116	1
DS02-108*	10 x 8"	200 - 188	2
DS02-810*	8 x 10"	164 - 188	2
DS02-1010	10 x 10"	200 - 188	3
DS02-1212	12 x 12"	248 - 224	5
DS02-1515	15 x 15"	312 - 248	5

18" through 30" available upon request

Concrete x Concrete

04 Series

Part No.	Size	Clamp Sizes	Case/Qty.
DS04-44	4 x 4"	96 - 96	18
DS04-64	6 x 4"	140 -	12
DS04-66	6 x 6"	140 - 140	12
DS04-86	8 x 6"	188 - 140	4
DS04-88	8 x 8"	188 - 188	4
DS04-1010	10 x 10"	212 - 212	3
DS04-1212	12 x 12"	248 - 248	3

15" through 18" available upon request

Concrete x Cast Iron/PVC

06 Series

Part No.	Size	Clamp Sizes	Case/Qty.
DS06-43	4 x 3"	96 - 80	24
DS06-44	4 x 4"	96 - 80	24
DS06-63	6 x 3"	132 - 80	12
DS06-64	6 x 4"	132 - 80	12
DS06-66	6 x 6"	132 - 116	12
DS06-68	6 x 8"	152 - 188	6
DS06-84*	8 x 4"	188 - 80	6
DS06-86*	8 x 6"	188 - 152	6
DS06-88	8 x 8"	188 - 152	6
DS06-108*	10 x 8"	212 - 188	4
DS06-1010*	10 x 10"	212 - 188	4
DS06-1210	12 x 10"	248 - 188	4
DS06-1212	12 x 12"	248 - 224	5

15" through 24" available upon request

A/C Fibre, Ductile Iron x A/C Fibre Ductile Iron

55 Series

Part No.	Size	Clamp Sizes	Case/Qty.
DS55-44	4 x 4"	80 - 80	14
DS55-64*	6 x 4"	128 - 80	12
DS55-66	6 x 6"	128 - 128	12
DS55-86	8 x 6"	164 - 128	6
DS55-88	8 x 8"	164 - 164	9
DS55-108	10 x 8"	200 - 164	2
DS55-1010	10 x 10"	200 - 200	2
DS55-1212	12 x 12"	248 - 248	6

15" through 18" available upon request

A.D.S. Corrugated PE x Cast Iron/PVC

70 Series

Part No.	Size	Clamp Sizes	Case/Qty.
DS70-43	4 x 3"	88 - 80	24
DS70-44	4 x 4"	88 - 80	24
DS70-63	6 x 3"	128 - 116	15
DS70-64*	6 x 4"	128 - 88	15
DS70-66	6 x 6"	128 - 116	15

Call 1-800-222-5644



Cast Iron, Plastic, PVC x Cast Iron/PVC

56 Series

ALSO FITS COPPER TUBING
SCH. 40, PVC, CAST IRON, SDR 35, ABS.



Part No.	Size	Clamp Sizes	Case/Qty.
DS56-100	1 x 1" IPS	20M - 20M (mini)	50
DS56-075	3/4 x 3/4"	16 - 16	100
DS56-100	1 x 1" IPS	20 - 20	50
DS56-125	1-1/4 x 1-1/4"	28 - 28	90
DS56-150/125	1-1/2 x 1-1/4"	32 - 28	75
DS56-150	1-1/2 x 1-1/2"	32 - 32	75
DS56-2150	2 x 1-1/2"	40 - 32	54
DS56-22	2 x 2"	40 - 40	54
DS56-2525*	2-1/2 x 2-1/2"	80 - 40	45
DS56-3150	3 x 1-1/2"	60 - 40	54
DS56-32	3 x 2"	60 - 40	54
DS56-3215*	3 x 2-1/2"	60 - 80	25
DS56-33	3 x 3"	60 - 60	25
DS56-3535	3-1/2 x 3-1/2"	80 - 80	24
DS56-4150	4 x 1-1/2"	80 - 40	30
DS56-42*	4 x 2"	80 - 40	30
DS56-43	4 x 3"	80 - 60	25
DS56-435	4 x 3-1/2"	80 - 80	24
DS56-44	4 x 4"	80 - 80	24
DS56-44-8 (long)	4 x 4 x 8"	80 - 80	12
DS56-53	5 x 3"	96 - 80	24
DS56-54	5 x 4"	104 - 80	24
DS56-55	5 x 5"	96 - 96	18
DS56-63	6 x 3"	116 - 80	12
DS56-64	6 x 4"	116 - 80	12
DS56-65	6 x 5"	96 - 116	12
DS56-66	6 x 6"	116 - 116	15
DS56-83*	8 x 3"	152 - 40	8
DS56-84*	8 x 4"	152 - 152	8
DS56-86	8 x 6"	152 - 116	8
DS56-88	8 x 8"	152 - 152	12
DS56-106*	10 x 6"	188 - 116	2
DS56-108*	10 x 8"	188 - 188	2
DS56-126*	12 x 6"	212 - 116	1
DS56-128*	12 x 8"	212 - 188	4
DS56-1010	10 x 10"	188 - 188	2
DS56-1210*	12 x 10"	212 - 188	4
DS56-1212	12 x 12"	224 - 224	3
DS56-1414	14 x 14"	248 - 248	6
DS56-1512	15 x 12"	248 - 212	5
DS56-1515	15 x 15"	248 - 248	3

18" through 30" available upon request

PVC/C.I. x Copper

58 Series

Available with
Shear Band



Part No.	Size	Case/Qty.
DS58-150	1-1/2 x 1-1/2"	Bulk
DS58-2150	2 x 1-1/2"	Bulk
DS58-22	2 x 2"	Bulk
DS58-32	3 x 2"	Bulk
DS58-33	3 x 3"	Bulk
DS58-43	4 x 3"	Bulk
DS58-44	4 x 4"	Bulk

Hub x Pipe

59 Series



Part No.	Size	Case/Qty.
DS59-150	1-1/2 x 1-1/2"	12
DS59-2125	2 x 1-1/4"	12
DS59-2150	2 x 1-1/2"	12
DS59-22	2 x 2"	12
DS59-3150	3 x 1-1/2"	12
DS59-32	3 x 2"	12
DS59-33	3 x 3"	12
DS59-42	4 x 2"	12
DS59-43	4 x 3"	12
DS59-44	4 x 4"	12

Hub x Hub

60 Series



Part No.	Size	Case/Qty.
DS60-150	1-1/2 x 1-1/2"	75
DS60-22	2 x 2"	54
DS60-33	3 x 3"	45
DS60-44	4 x 4"	24

Copper x Copper

61 Series

Available with
Shear Band



Part No.	Size	Case/Qty.
DS61-150	1-1/2"	75
DS61-22	2"	50
DS61-33	3"	45
DS61-44	4"	24

Extra Long Couplings

CI/PVC x CI/PVC 8" long



Part No.	Size	Clamp Sizes	Case/Qty.
DS56-44-8 (long)	4 x 4 x 8"	80 - 80	12

DS Eccentric Couplings

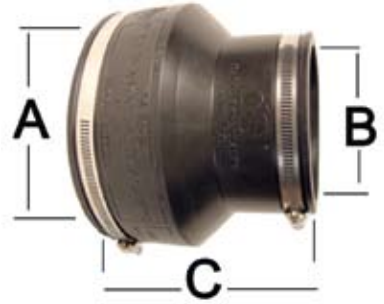
Using Bushings



Eccentric couplings
help in maintaining
even end continuous flow.

Part No.	Size	Description	Case/Qty.
DS02-44E*	4 x 4"	Clay x PVC	24
DS02-64E*	6 x 4"	Clay x PVC	24
DS02-66E*	6 x 6"	Clay x PVC	18
DS02-84E*	8 x 4"	Clay x PVC	8
DS02-86E*	8 x 6"	Clay x PVC	8
DS02-88E*	8 x 8"	Clay x PVC	6
DS02-108E*	10 x 8"	Clay x PVC	2
DS06-84E*	8 x 4"	Concrete x C.I./PVC	6
DS51-43E*	4 x 3"	A/C Fibre, D.I. x C.I./PVC	24
DS51-64E*	6 x 4"	A/C Fibre, D.I. x C.I./PVC	9
DS51-84E*	8 x 4"	A/C Fibre, D.I. x C.I./PVC	8
DS51-86E*	8 x 6"	A/C Fibre, D.I. x C.I./PVC	8
DS56-42E*	4 x 2"	C.I./PVC x C.I./PVC	30
DS56-43E*	4 x 3"	C.I./PVC x C.I./PVC	24
DS56-64E*	6 x 4"	C.I./PVC x C.I./PVC	12
DS56-84E*	8 x 4"	C.I./PVC x C.I./PVC	8
DS56-86E*	8 x 6"	C.I./PVC x C.I./PVC	8
DS56-108E*	10 x 8"	C.I./PVC x C.I./PVC	2

COUPLING SIZING CHART



COUPLING SIZING CHART

Clay to Clay

SERIES 01: Plus or Minus 5% OD on chart.

Part #	A		B		C	
	in.	mm.	in.	mm.	in.	mm.
01-44	5.25	133	5.25	133	4.00	101
01-55	6.12	155	6.12	155	6.00	152
01-65	7.38	187	6.12	155	6.00	152
01-66	7.38	187	7.38	187	6.00	152
01-86	9.65	245	7.38	187	6.00	152
01-88	9.65	245	9.65	245	6.00	152
01-1010	12.73	323	12.73	323	6.00	152
01-1212	14.38	365	14.38	365	6.00	152
01-1515	17.85	453	17.85	453	7.00	177

Clay to Cast Iron or Plastic

SERIES 02: Plus or Minus 5% OD on chart.

Part #	A		B		C	
	in.	mm.	in.	mm.	in.	mm.
02-43	5.25	133	3.38	85	4.00	101
02-44	5.25	133	4.38	111	4.00	101
02-55	6.12	155	5.38	136	5.00	127
02-64	7.38	187	4.38	111	6.00	152
02-65	7.38	187	5.38	136	6.00	152
02-66	7.38	187	6.38	162	6.00	152
02-810	9.65	245	10.60	269	6.50	165
02-86	9.65	245	6.38	162	6.00	152
02-88	9.65	245	8.50	215	6.00	152
02-1010	12.73	323	10.60	269	6.50	165
02-1212	14.38	365	12.60	320	6.50	165
02-1515	17.88	453	15.40	391	6.50	165

Clay to Asbestos Cement Fibre or Ductile Iron

SERIES 03: Plus or Minus 5% OD on chart.

Part #	A		B		C	
	in.	mm.	in.	mm.	in.	mm.
03-44	5.25	127	4.75	120	4.00	101
03-54	6.12	155	4.75	120	5.00	127
03-55	6.12	155	5.90	149	5.00	127
03-65	7.38	187	5.90	149	6.00	152
03-66	7.38	187	7.00	177	6.00	152
03-86	9.65	245	7.00	177	6.00	152
03-88	9.65	245	9.12	231	6.00	152
03-1010	12.90	327	11.12	282	6.50	165
03-1212	14.38	365	13.20	335	6.50	165

Concrete to Concrete

SERIES 04: Plus or Minus 5% OD on chart.

Part #	A		B		C	
	in.	mm.	in.	mm.	in.	mm.
04-44	5.62	142	5.62	142	4.00	101
04-64	7.80	198	5.62	142	6.00	152
04-66	7.80	198	7.80	198	6.00	152
04-86	10.25	260	7.80	198	6.00	152
04-88	10.25	260	10.25	260	6.00	152
04-1010	12.73	327	12.73	327	6.50	165
04-1212	15.40	391	15.40	391	6.50	165

Concrete to Cast Iron or Plastic

SERIES 06: Plus or Minus 5% OD on chart.

Part #	A		B		C	
	in.	mm.	in.	mm.	in.	mm.
06-43	5.62	142	3.38	85	4.00	101
06-44	5.62	142	4.38	111	4.00	101
06-65	7.80	198	5.38	136	6.00	152
06-66	7.80	198	6.38	162	6.00	152
06-86	10.25	260	6.38	162	6.00	152
06-88	10.25	260	8.50	215	6.00	152
06-1010	12.90	327	10.60	269	6.50	165
06-1212	15.40	391	12.60	320	6.50	165

Asbestos Cement Fibre or Ductile Iron to Cast Iron or Plastic

SERIES 51: Plus or Minus 5% OD on chart.

Part #	A		B		C	
	in.	mm.	in.	mm.	in.	mm.
51-44	4.75	120	4.38	111	4.00	101
51-55	5.90	149	5.38	136	4.00	101
51-54	5.38	136	4.38	111	4.00	101
51-64	7.00	177	4.38	111	6.00	152
51-65	7.00	177	5.38	136	6.00	152
51-66	7.00	177	6.38	162	6.00	152
51-86	9.12	231	6.38	162	6.00	152
51-88	9.12	231	8.50	215	6.00	152
51-1010	11.12	282	10.60	269	6.50	165
51-1212	13.20	335	12.60	320	6.50	165

Asbestos Cement Fibre or Ductile Iron to Asbestos

Cement Fibre or Ductile Iron

SERIES 55: Plus or Minus 5% OD on chart.

Part #	A		B		C	
	in.	mm.	in.	mm.	in.	mm.
55-44	4.75	122	4.75	122	4.00	101
55-64	7.00	177	4.75	120	6.00	152
55-65	7.00	177	5.90	149	6.00	152
55-66	7.00	177	7.00	177	6.00	152
55-86	9.12	231	7.00	177	6.00	152
55-88	9.12	231	9.12	231	6.00	152
55-1010	11.12	282	11.12	282	6.00	152
55-1212	13.20	335	13.20	335	6.00	152

Cast Iron, Plastic, Copper, Steel or Lead to Cast Iron,

Plastic, Copper, Steel or Lead

SERIES 56: Plus or Minus 5% OD on chart.

Part #	A		B		C	
	in.	mm.	in.	mm.	in.	mm.
56-125	1.65	40	1.65	40	3.50	88
56-150/125	1.90	48	1.65	40	3.50	88
56-150	1.90	48	1.90	48	3.50	88
56-215	2.40	60	1.90	48	3.50	88
56-22	2.40	60	2.40	60	3.50	88
56-315	3.38	85	1.90	48	4.00	101
56-32	3.38	85	2.40	60	4.00	101
56-33	3.38	85	3.38	85	4.00	101
56-415	4.38	111	1.90	48	4.00	101
56-42	4.38	111	2.40	60	4.00	101
56-43	4.38	111	3.38	85	4.00	101
56-44	4.38	111	4.38	111	4.00	101
56-55	5.62	142	5.62	142	4.00	101
56-63	6.38	162	3.38	85	6.00	152
56-64	6.38	162	4.38	111	6.00	152
56-66	6.38	162	6.38	162	6.00	127
56-86	8.50	215	6.38	162	6.00	152
56-88	8.50	215	8.50	215	6.00	152
56-10-8	10.60	269	8.50	215	6.50	165
56-1010	10.60	269	10.60	269	6.50	165
56-1210	12.60	320	10.60	269	6.50	165
56-1212	12.60	320	12.60	320	6.50	165
56-1515	15.40	391	15.40	391	6.50	165

Concrete to Clay

SERIES 07: Plus or Minus 5% OD on chart.

Part #	A		B		C	
	in.	mm.	in.	mm.	in.	mm.
07-88	10.25	260	9.65	245	6.00	152
07-1010	12.90	327	12.73	323	6.00	152

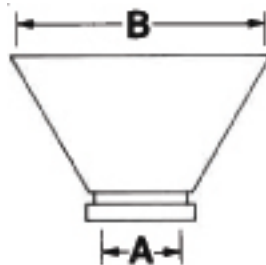
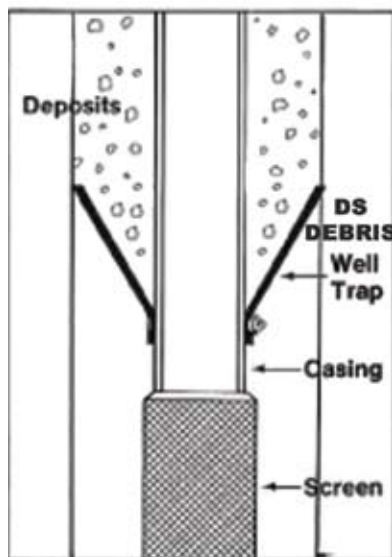
LIMITED WARRANTY

As the use of this product is beyond the control of the seller, liability of the sellers shall be limited to replacement of product. Dallas Speciality warrants that their products are manufactured free of defects in material and workmanship. The limit of Dallas Speciality liability for failure of any of the products to meet foregoing warrants or for any breach of any other warranty, express, implied or statutory shall be to supply an equivalent amount of products returned to it and found by Dallas Speciality to be defective. DUE TO THE WIDELY VARYING CONDITIONS UNDER WHICH OUR PRODUCTS ARE USED OR INSTALLED, DALLAS SPECIALITY OFFERS NO WARRANTY AS TO THE LENGTH OR SERVICE SUITABILITY FOR ANY PARTICULAR PURPOSE OF THE PRODUCTS. IN NO EVENT SHALL DALLAS SPECIALITY BE LIABLE FOR INCIDENTAL OR CONSEQUENTIAL DAMAGES OR INJURY. Any action for breach of warranty must be brought within 30 days of delivery. Dallas Speciality retains the right to make changes or improvements from time to time in the products. Installed operating temperatures are 32°F to 140°F non-consistent.

DEBRIS/WELL TRAPS



SPECIFICATIONS: Dallas Specialty Debris and Well Traps insure the continuous operation of water wells by protecting the valuable pump suction area from debris, stones and other in-ground hazards. Manufactured of flexible PVC, these Debris/Well Traps provide permanent protection: they are impervious to water and any soil-borne contaminants. Just install over the well casing, and tighten with a Dallas Specialty series 300 Stainless Steel Hose Clamp for added protection against the dangers of rust and corrosion. Debris/Well Traps help keep the well pumping water and nothing else: Specify Dallas Specialty & Mfg. Co. Debris



Part No.	Size	Clamp Sizes	Case/Qty.
DS-WT2X5	2 x 5"	#40	
DS-WT3X6	3 x 6"	#60	
DS-WT4X6	4 x 6"	#80	
DS-WT4X7	4 x 7"	#80	36
DS-WT5X7	5 x 7"		
DS-WT4X7	6 x 8"		
DS-WT4X7	6 x 10"		

SPECIALTY TRANSITION COUPLINGS

Approved for Above and Below Ground (Mission Style)



Part No.	Description (CK Series)	Case/Qty.
DS-CK1125	1-1/2" CI, PL or ST x 1-1/4" Copper or 1" PL	24
DS-CK150	1-1/2" CI x 1-1/2" Copper	24
DS-CK2125	2" CI, PL or ST x 1-1/4" Copper or 1" PL	24
DS-CK215	2" CI x 1-1/2" Copper or 1" PL	24
DS-CK22	2" CI, PL or ST x 2" Copper	24
DS-CK32	3" CI x 2" Copper	24
DS-CK33	3" CI x 3" Copper	24
DS-CK43	4" CI x 3" Copper	24
DS-CK44	4" CI x 4" Copper	24

Part No.	Description (CP Series)	Case/Qty.
DS-CP150	1-1/2" CI x 1-1/2" PL or ST	24
DS-CP200	2" CI x 2" PL or ST	24
DS-CP215	2" CI x 1-1/2" PL or ST	24
DS-CP32	3" CI x 2" PL or ST	24
DS-CP33	3" CI x 3" PL, ST or XHCI	24
DS-CP43	4" CI x 3" PL, ST or XHCI	24
DS-CP44	4" CI x 4" PL, ST or XHCI	24
DS-CP55	5" CI x 5" PL, ST or XHCI	20
DS-CP66	6" CI x 6" PL, ST or XHCI	20
DS-CP88	8" CI x 8" PL, ST or XHCI	20

Part No.	Description (SK Series)	Case/Qty.
DSK-150	1-1/2"	24
DSK-200	2" Copper x 2" Copper	24
DSK-1125	1-1/2" x 1-1/4"	24

Part No.	Description (ST Series)	Case/Qty.
DST-150	1-1/2"	24
DST-1125	2" x 1-1/2"	24

Other Sizes Available

IMPORT SHIELDED TRANSITION COUPLINGS



Use Above and Below Ground

Part No.	Description (IMPCP Series)	Case/Qty.
DS-IMPCP150	1 1/2" CI, PL or ST x 1 1/2" PL or ST	24
DS-IMPCP215	2" CI, PL or ST x 1 1/2" PL or ST	24
DS-IMPCP200	2" CI, PL or ST x 2" PL or ST	24
DS-IMPCP33	3" CI, PL or ST x XHCI	24
DS-IMPCP44	4" CI x PL, ST, x XHCI	24

Part No.	Description (IMPCK Series)	Case/Qty.
DS-IMPCK150	1 1/2" CI, PL or ST x 1 1/2" Copper or 1 1/4" PL	24
DS-IMPCK215	2" CI, PL or ST x 1 1/2" Copper or 1 1/4" PL	24
DS-IMPCK22	2" CI, PL or ST x 2" Copper	24

FOR FLEXIBLE COUPLINGS SHEAR RINGS

Approved for Below Ground

Made of Stainless Steel



Part No.		Size
DS-SR-9	For DS56-150	11/2" Shear Ring
DS-SR-11	For DS56-22	2" Shear Ring Only
DS-SR-14	For DS56-33	3" Shear Ring Only
DS-SR-18	For DS56-44	4" Shear Ring Only
DS-SR-21C	For DS01-44 & 0244	4" Clay Shear Ring Only
DS-SR-22	For DS56-55	5" Shear Ring Only
DS-SR-27	For DS56-66 & 56-65, 56-64 To Fit 6" Clay	6" Shear Ring Only
DS-SR-30	For DS01-66 & 0266, 0265, 0264	15" Shear Ring Only
DS-SR-34	For DS56-88	8" Shear Ring Only
DS-SR-40	For DS56-1010	10" Shear Ring Only
DS-SR-46	For DS56-1212 & 01 1010	12" Shear Ring Only
DS-SR-52	For DS56-1515 & 01 1212	15" Shear Ring Only

01 Series (Clay x Clay)	02 Series (Clay x CI/PVC)
DS01-44 4" x 4"	DS02-43* 4" x 3"
DS01-55 5" x 5"	DS02-44* 4" x 4"
DS01-66 6" x 6"	DS02-46* 4" x 6"
DS01-88 8" x 8"	DS02-55* 5" x 5"
DS01-1010 10" x 10"	DS02-64* 6" x 4"
	DS02-65* 6" x 5"
	DS02-66* 6" x 6"
	DS02-68* 6" x 8"
	DS02-86* 8" x 6"
	DS02-88* 8" x 8"

03 Series (Clay x AsbestosCementFibre or DI)	
DS03-44 4" x 4"	DS02-68* 6" x 8"
DS03-66* 6" x 6"	DS02-86* 8" x 6"
	DS02-88* 8" x 8"

Flexible Pipe Couplings Assembled with Shear Rings Available Upon Request

Following Parts Available Shear Banded

04 Series (Concrete x Concrete)	56 Series (CI/PVC x CI/PVC) plastic, steel, lead or Copper
DS04-44 4" x 4"	DS56-125 1-1/4" x 1-1/4"
DS04-66 6" x 6"	DS56-150 1-1/2" x 1-1/2"
	DS56-2/125* 2" x 1-1/4"
	DS56-2150* 2" x 1-1/2"
	DS56-22 2" x 2"
	DS56-2525* 2-1/2" x 2-1/2"
	DS56-32* 3" x 2"
	DS56-33 3" x 3"
	DS56-3535* 3-1/2" x 3-1/2"
	DS56-42* 4" x 2"
	DS56-43* 4" x 3"
	DS56-44-8 4" x 4" x 8" long
	DS56-44 4" x 4"
	DS56-55 5" x 5"
	DS56-63* 6" x 3"
	DS56-64* 6" x 4"
	DS56-65* 6" x 5"
	DS56-66 6" x 6"
	DS56-84* 8" x 4"
	DS56-86* 8" x 6"
	DS56-88 8" x 8"
	DS56-1010 10" x 10"
	DS56-108* 10" x 8"
	DS56-1212 12" x 12"
	DS56-1210* 12" x 10"
	DS56-1515 15" x 15"

06 Series (Concrete x CI/PVC)	51 Series (AsbestosCementFibre or DI x CI/PVC)
DS06-44* 4" x 4"	DS51-43* 4" x 3"
DS06-64* 6" x 4"	DS51-44* 4" x 4"
DS06-66* 6" x 6"	DS51-46* 4" x 6"
	DS51-55* 5" x 5"
	DS51-64* 6" x 4"
	DS51-66* 6" x 6"
	DS51-88* 8" x 8"

55 Series (ACFibre, DI x ACFibre, DI)	
DS55-44 4" x 4"	DS56-1010 10" x 10"
DS55-55 5" x 5"	DS56-108* 10" x 8"
DS55-64* 6" x 4"	DS56-1212 12" x 12"
DS55-66 6" x 6"	DS56-1210* 12" x 10"
DS55-88 8" x 8"	DS56-1515 15" x 15"

TORQUE WRENCH

Automatic Release at Perfect 60 or 80 Inch lbs. Import



Part No.	Description (CP Series)	
T-60	5/16" Ratchet Torque Wrench Black	60 #
DSHDT60	5/16" Heavy Duty Ratchet Torque Wrench Red	60 #
T-80	3/8" Heavy Duty Ratchet Torque Wrench Green	80 #

SPUDNUTS™ (Donuts)



Meets ASTM C-564



Flexible seals for compression sealing of sewer pipe joints, drain waste and vent connections such as hubs, sockets, bells & spigots.

SV Cast Iron Spudnuts (Service Weight)

Part No.	Size	Description	Case/Qty.
DS22U-139	2 x 1 1/2"	SV Hub x Sch 40 (DWW) or Sch 40 Steel	90
DS22U-201	2 x 2"	SV Hub x SV Soil Pipe or NH Soil Pipe	90
DS22U-205	2 x 2"	SV Hub x Sch 40 (DWW) or Sch 40 Steel or C.I. X H.	90
DS241-405	3 x 4"	SV SPG x Sch 40 PVC or Sch 40 ABS or Lead	bulk
DS33U-139	3 x 1 1/2"	SV Hub x Sch 40 (DWW) or Sch 40 Steel	40
DS33U-205	3 x 2"	SV Hub x Sch 40 (DWW) or Sch 40 Steel or C.I. X H.	40
DS33U-301	3 x 3"	SV Hub x S&D Plastic or SV Soil Pipe or NH Soil Pipe	75
DS33U-305	3 x 3"	SV Hub x Sch 40 (DWW) or Sch 40 Steel or C.I. X H.	75
DS44U-139	4 x 1 1/2"	SV Hub x Sch 40 (DWW) or Sch 40 Steel	20
DS44U-205	4 x 2"	SV Hub x Sch 40 (DWW) or Sch 40 Steel or C.I. X H.	25
DS44U-301	4 x 3"	SV Hub x S&D Plastic or SV Soil Pipe or NH Soil Pipe	35
DS44U-305	4 x 3"	SV Hub x Sch 40 (DWW) or Sch 40 Steel or C.I. X H.	35
DS44U-401	4 x 4"	SV Hub x S&D Plastic or SV Soil Pipe or NH Soil Pipe	35
DS44U-403	4 x 4"	SV x XH Hub	35
DS44U-405	4 x 4"	SV Hub x Sch 40 (DWW) or Sch 40 Steel or C.I. X H. (Meets ASTM C923)	35
DS66U-139	6 x 1 1/2"	SV Hub x Sch 40 (DWW) or Sch 40 Steel	10
DS66U-205	6 x 2"	SV Hub x Sch 40 (DWW) or Sch 40 Steel or C.I. X H.	10
DS66U-401	6 x 4"	SV Hub x S&D Plastic or SV Soil Pipe or NH Soil Pipe	10
DS66U-405	6 x 4"	SV Hub x Sch 40 (DWW) or Sch 40 Steel or C.I. X H.	10
DS66U-605	6 x 6"	SV Hub x PVC /XHCl	10

X.H. Cast Iron Spudnuts (Extra Heavy)

Part No.	Size	Description	Case/Qty.
DS22UX-139	2 x 1-1/2"	XHCl Hub x Sch 40 (DWW) or Sch 40 Steel	60
DS22UX-201	2 x 2"	XHCl Hub x SV Soil Pipe or NH Soil Pipe	60
DS22UX-205	2 x 2"	XHCl Hub x Sch 40 (DWW) or Sch 40 Steel or C.I. X H.	60
DS33UX-305	3 x 3"	XHCl Hub x Sch 40 (DWW) or Sch 40 Steel or C.I. X H.	60
DS44UX-139	4 x 1-1/2"	XHCl Hub x Sch 40 (DWW) or Sch 40 Steel	20
DS44UX-201	4 x 2"	XHCl Hub x S & D plastic or SV Soil Pipe or NH Soil Pipe	20
DS44UX-205	4 x 2"	XHCl Hub x Sch 40 (DWW) or Sch 40 Steel or C.I. X H.	20
DS44UX-301	4 x 3"	XHCl Hub x S&D Plastic or SV Soil Pipe	25
DS44UX-305	4 x 3"	XHCl Hub x Sch 40 (DWW) or Sch 40 Steel or C.I. X H.	25
DS44UX-401	4 x 4"	XHCl Hub x S&D Plastic or SV Soil Pipe	25
DS44UX-405	4 x 4"	XHCl Hub x Sch 40 (DWW) or Sch 40 Steel or C.I. X H.	3

S & D Spudnuts (Sewer & Drain)

Part No.	Size	Description	Case/Qty.
DS440-401	6 x 4"	S&D x CISV or CINH or ABS/PVC S&D	12
DS440-405	6 x 4"	S&D x XHCl or ABS/PVC DWV	12

Concrete Spudnuts - Bremerton, Everett, Associated, Hermitage/Knoxville

Part No.	Size	Description	Case/Qty.
DS440-401	4 x 4"	Bell x CISV, CINH, or ABC/PVC S&D	12
DS440-405	4 x 4"	Bell x XHCl, ABC/PVC DWV	12
DS504-401	4 x 4"	Concrete Spudnut	12
DS698-301	6 x 3"	Bell x S&D or SV Soil Pipe	12
DS698-305	6 x 3"	Bell x C.I.X.H. or ABS/PVC DWV	12
DS698-401	6 x 4"	Bell x C.I.S.V. or C.I.N.H. or ABS/PVC/S&D	12
DS698-601	6 x 6"	Bell x C.I.S.V. or C.I.N.H. or S&D	12
DS698-609	6 x 6"	Bell x ABS/PVC DWV	12

ClaySPUDNUTS™

408 Series - Clow, Dickey, Logan, and Superior Clay

Part No.	Size	Description	Case/Qty.
DS408-301	4 x 3"	Clay Bell x C.I.S.V. or S&D or SV Soil Pipe	30
DS408-305	4 x 3"	Clay Bell x XHCl or ABS/PVC DWV	30
DS408-401	4 x 4"	Clay Bell x C.I.S.V. or S&D or SV Soil Pipe	40
DS408-405	4 x 4"	Clay Bell x XHCl. or ABS/PVC DWV	40

608 Series - Clow, Dickey, Logan, Superior, Cantex Clay

Part No.	Size	Description	Case/Qty.
DS608-405	6 x 4"	Clay Bell x XHCl or ABS/PVC DWV	10
DS608-601	6 x 6"	Clay Bell x C.I.S.V. or S&D or SV Soil Pipe	10
DS608-609	6 x 6"	Clay Bell x ABS/PVC DWV	10

490 Series - Brockway and Larson Clay

Part No.	Size	Description	Case/Qty.
DS490-301	4 x 3"	Clay Bell x XHCl or S&D or SV Soil Pipe	30
DS490-305	4 x 3"	Clay Bell x C.I.X.H. or ABS/PVC DWV	25
DS490-401	4 x 4"	Clay Bell x C.I.S.V. or C.I.N.H. or S&D	32
DS490-405	4 x 4"	Clay Bell x XHCl or ABS/PVC DWV	32

696 Series - Cantex & Superior Clay

Part No.	Size	Description	Case/Qty.
DS696-401	6 x 4"	Bell x CISV, CINH or ABS/PVC S&D	10
DS696-405	6 x 4"	Bell x XHCl. or ABS/PVC DWV	10
DS696-601	6 x 6"	Bell x CISV, CINH, ABS/PVC S&D	10
DS696-609	6 x 6"	ORING x ABS/PVC DWV	10

698 Series - Brockway, Logan or Larson Clay

Part No.	Size	Description	Case/Qty.
DS698-301	6 x 3"	Bell or ORING x CISV or CINH	10
DS698-305	6 x 3"	Bell or ORING x XHCl or ABS/PVC DWV	10
DS698-401	6 x 4"	Bell or ORING x CISV, CINH or ABS/PVC S&D	10
DS698-405	6 x 4"	Bell or ORING x XHCl or ABS/PVC DWV	10
DS698-601	6 x 6"	Bell or ORING x CISV, CINH or ABS/PVC S&D	10
DS698-609	6 x 6"	Bell or ORING x ABC/PVC DWV	1

Asbestos Cement Spudnuts - Johns-Manville, CAPCO

Part No.	Size	Description	Case/Qty.
DS44U-301	4 x 3"	SW Duplex ADPT x CISV or CINH	35
DS44U-305	4 x 3"	SW Duplex XHCl or ABC/PVC DWB	35
DS44U-401	4 x 4"	SW Duplex CISV, CINH or ABC/PVC S&D	35
DS44U-405	4 x 4"	SW Duplex XHCl or ABC/PVC DWB	35

Call 1-800-222-5644
"We're Flexible"

www.DallasSpecialty.com

Plumbing, Waterworks & Utility

57 Series

Drain Trap Adapters, Cast Iron/PVC, Copper x Tubular



Drain and trap connectors are ideal for new installation, repairs and alterations. They can be installed quickly and easily without special tools, gluing threading or soldering. Tubular drain pipe connectors offer a quick, easy way to extend, alter or repair any combination of 1 1/2" or 1 1/4" brass or plastic drain pipe. Whether you are connecting brass to brass or plastic to plastic or brass to plastic, you get an economical, leakfree seal on the sink, lavatory, garbage disposer and laundry tub drainage systems. Installation is fast and simple. And the flexible elastomeric PVC material is formulated for drain use.

Part No.	Size	Clamp Sizes	Case/Qty.
DSS7-110TD	1-1/2 x 1-1-1/4" Tubular x Tubular	24 - 24	20/180
DSS7-125TD	1 1/4 x 1 1/4" or 1 1/2 x 1 1/2" Tubular x Tubular	24 - 24	20/180
DSS7-125/125TD	1 1/2 x 1 1/2" or 1 1/2 x 1 1/4" Copper x Tubular	28 - 24	20/120
DSS7-150/125TD	1 1/2 x 1 1/2" or 1 1/2 x 1 1/4" C.I./PVC x Tubular	32 - 24	20/120
DSS7-2/150TD	2 x 1 1/2" or 2 x 1 1/4" C.I./PVC x Tubular	40 - 24	20/140

Vertical Expansion Joint



Expansion joints allow for thermal expansion and contraction of drain, waste and vent (DWV) and inside rainwater conductor systems. There are no sliding parts to malfunction, no packing to jam, freeze or leak. They eliminate costly offsets normally used to accommodate expansion and contraction. These leak proof, maintenance-free, distortion-free joints have internal stops for positive positioning. Designed for vertical installation, these one-piece joints eliminate costly offsets. Allowing for thermal expansion and contraction of drain waste and vent (DWV). A maintenance free connection.

Part No.	Size	Clamp Sizes	Case/Qty.
DS-150VXJ	1 1/2"	32 - 32	75
DS-22VXJ	2"	40 - 40	54
DS-33VXJ	3"	60 - 60	45
DS-44VXJ	4"	80 - 80	24

Concrete Manhole Adapters (Water Stop Gaskets)

Part No.	Size	Case/Qty.
DSMA40	4"	250
DSMA60	6"	100
DSMA80	8"	100
DSMA100	10"	100
DSMA120	12"	100
DSSMA150	15"	50
DSMA180	18"	20
DSMA210	21"	12
DSMA240	24"	12
DSMA270	27"	10

Larger Sizes Available



Concrete manhole adapters (waterstops) help in eliminating leaks around the pipe entering the manhole walls. They are flexible to permit pipe movement without destroying the seal's integrity. Especially useful for PVC pipe to which concrete does not adhere.

Specify Style. (O-Ring or Molded)
Also Fits D.I. Pipe C-900, Etc.

Shower Drain Gaskets



Part No.	Size	Fits
DSG-200	2" x 1-1/4"	DD2S
DSG-2/125	2" x 1-1/4"	DD2T
DSG-210	IPS ELM	DD2T
DSG-215	2" x 1-1/2" IPS	DD2T
DSG-2150COP	1-1/2" Copper	DD2T
DSG-2 COP	2" Copper	DD2T
DSG-200COP	2" Copper	DD2S

Dal-O-Ring (Buggy Wheel)



Part No.	Size	Case/Qty.
DAL64	6 x 4" Dal-O-Ring	50

SV Soil Pipe Gaskets



(Multi-Tite)

ASTM C-564

ASTM C-425-91

Part No.	Size	Case/Qty.
DS-2 MTG	2"	150
DS-3 MTG	3"	75
DS-4 MTG	4"	60
DS-5 MTG	5"	30
DS-6 MTG	6"	30
DS-8 MTG	8"	20
DS-10 MTG	10"	10
DS-12 MTG	12"	10
DS-15 MTG	15"	5

Manhole Stopper Plug



Part No.	Size	Case/Qty.
DS-MHS	1-1/4"	BULK

Flexible Saddle Tees Waterworks



Part No.	Size	Lateral Pipe	Sewer Main OD	Lateral Entry	Core ID
DSFST-4	4"	PVC or CI	6.27"-15.75"	90 ±15	4.6"-4.9"
DSFST-6	6"	PVC or CI	8.16"-21.25"	90 +15	6.6"-6.9"

EPDM Rubber



Elbow



Tee

Flexible Tees & Elbows

Part No.	Size	Case/Qty.
DSFT-150	1 1/2" Tee	24
DSFT-2	2"	24
DSFT-3	3"	20
DSFT-4	4"	20
DSF90-150	1 1/2" 90E11	24
DSF90-2	2"	24
DSF90-3	3"	24
DSF90-4	4"	24

NO-HUB PIPE COUPLINGS

No-Hub Pipe Couplings

W/Bi-Directional Shield
60lb. Torque
ASTM 1277
ASTM C564



Above Ground



Part No.	Size	Case/Qty.
MSNHC112	1-1/2"	100
MSNHC2112	2 x 1-1/2"	100
MSNHC2	2"	100
MSNHC32	3 x 2"	100
MSNHC3	3"	100
MSNHC42	4 x 2"	60
MSNHC43	4 x 3"	60
MSNHC4	4"	100
MSNHC5	5"	20
MSNHC6	6"	20
MSNHC8	8"	10
MSNHC10	10"	10

12" & 15" Available

No-Hub Pipe Couplings are used in connecting No Hub Cast Iron Pipe to No Hub Cast Iron Pipe. Used mainly in above-ground applications, residential and commercial construction, above slab and under slab, parking garages, high rise buildings, apartments, condominiums and many other above ground situations.

Heavy Duty No-Hub Pipe Couplings

W/Bi-Directional Shield
80lb. Torque
ASTM 1277
ASTM C564
(color is green)
FM 1680 Compliant



Part No.	Size	Case/Qty.
MSHDNHC112	1-1/2"	60
MSHDNHC2	2"	75
MSHDNHC3	3"	48
MSHDNHC4	4"	48
MSHDNHC5	5"	15
MSHDNHC6	6"	15
MSHDNHC8	8"	15
MSHDNHC10	10"	12

12" & 15" Available

Heavy Duty No-Hub Pipe Couplings are for use where a stronger connection is needed or when specified by engineers or codes. The New Design installs with 80in/lbs of Screw Torque and boasts an ultimate torque rating exceeding 100in/lbs. Look for the distinctive GREEN SHIELD to be sure you are getting the new re-engineered Heavy Duty No-Hub Coupling. 9/16 Wide Band and 3/8" Hex-head Screws.

Import Regular Duty No-Hub Couplings



Part No.	Size	Case/Qty.
DS-112IMP NHC	1 1/2"	100
DS-2112IMP NHC	2" x 1 1/2"	100
DS-2IMP NHC	2"	100
DS-3IMP NHC	3"	100
DS-4IMP NHC	4"	100
DS-5IMP NHC	5"	20
DS-6IMP NHC	6"	25
DS-8IMP NHC	8"	15
DS-10IMP NHC	10"	12

Medium Duty No-Hub Pipe Couplings

W/Bi-Directional Shield
60lb. Torque
ASTM 1277
ASTM C564



Part No.	Size	Case/Qty.
MSMDNHC112	1-1/2"	60
MSMDNHC2	2"	75
MSMDNHC3	3"	48
MSMDNHC4	4"	48
MSMDNHC5	5"	15
MSMDNHC6	6"	15
MSMDNHC8	8"	15
MSMDNHC10	10"	12

12" & 15" Available
9/16" Wide Band and 5/16" Hex Head Screws

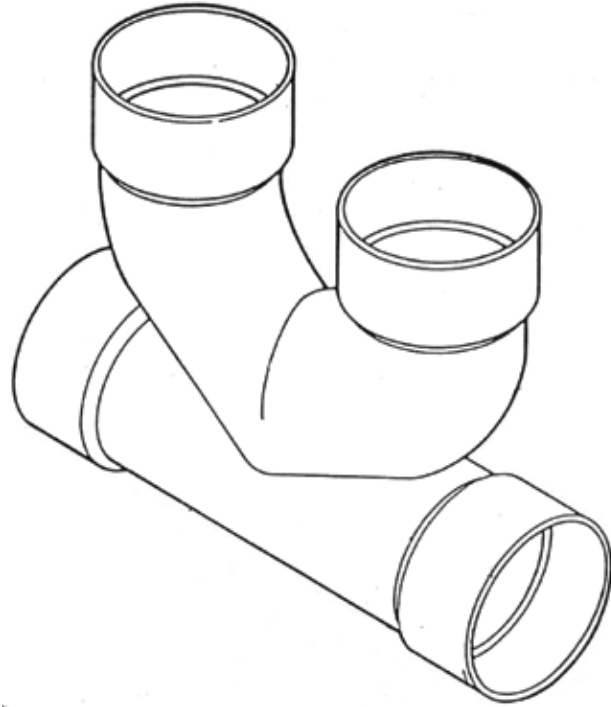
Call 1-800-222-5644
www.dallaspecialty.com



2 WAY DOUBLE BARREL CLEANOUT

4" PVC-DWV Double 2 Way Cleanout

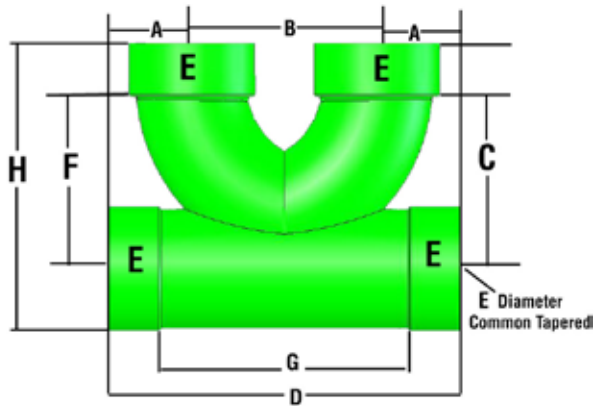
Part # DD4DBC0-P
 Weight 24 Lbs. Per Case
 5 Pcs Per Box
 ASTM D-2665
 ASTM D-3311
 PVC/ DWV SCHD. 40



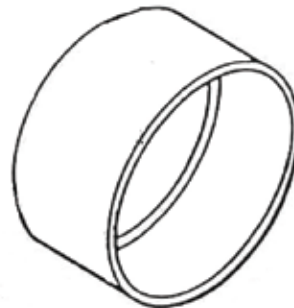
DIMENSIONED SIZING CHART

PART #	A	B	C	D	E	F	G	H
DD4DBC0-P	3"	7"	8.5"	13.25"	4.5"	6.5"	9.5"	10.75"

PVC DWV Schedule 40 Clean-Outs



PART# DS-43PVC



PART# DS-44PVC

4" x 4"
 Schd. 40 x SDR-35 PVC

Dal-CaPs® / Gem-Caps

Dal-CaPs® / Clean-Out or Test Caps - GEM-CAPS

Econo Caps



IPC®
IRC®



Part No.	Size	Clamp Sizes	Case/Qty.
DC-05	1/2"	16	100
DC-34	3/4"	16	100
DC-1	1"	32	100
DC-114	1-1/4" (Available Upon Request)	32	100
DC-15	1-1/2"	32	100
DC-2	2"	40	100
DC-25	2-1/2"	60	80
DC-3	3"	60	100
DC-4	4"	72	50
DC-5	5"	96	24
DC-6	6"	104	20
DC-8	8"	152	16
DC-10	10"	188	10
DC-12	12"	244	8

Dal-CaPs® Boiler Drain

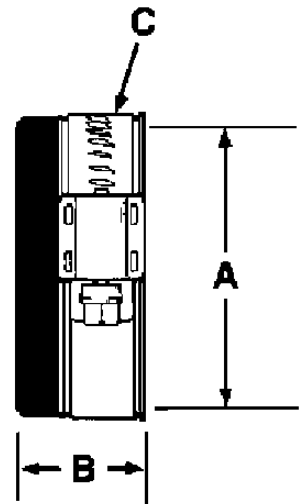
For use on PVC/ABS/C.I./Steel Pipe, etc.



Part No.	Size	Case/Qty.
DC-15 BD	1 1/2"	100
DC-2 BD	2"	100
DC-3 BD	3"	50
DC-4 BD	4"	50
DC-5 BD	5"	24
DC-6 BD	6"	20
DC-8 BD	8"	16
DC-10 BD	10"	10
DC-15 BD	15"	100

Dimensioned Sizing Chart

Clamps are 300 series
Listed Stainless-steel
Plus or minus
5% OD on scale



Part No.	A	B	C
			Clamp Size
DC-15	1.81" 46 mm.	1.00" 25 mm.	32
DC-2	2.37" 60 mm.	1.09" 28 mm.	40
DC-25	2.50" 63 mm.	1.09" 28 mm.	48
DC-3	3.37" 86 mm.	1.25" 32 mm.	60
DC-4	4.38" 111 mm.	1.28" 33 mm.	72
DC-5	5.62" 143 mm.	1.50" 38 mm.	96
DC-6	6.38" 162 mm.	1.53" 39 mm.	116
DC-8	8.37" 213 mm.	1.65" 42 mm.	152
DC-10	10.60" 269 mm	1.71" 43 mm.	188

SEWER LATERAL CLEANOUT

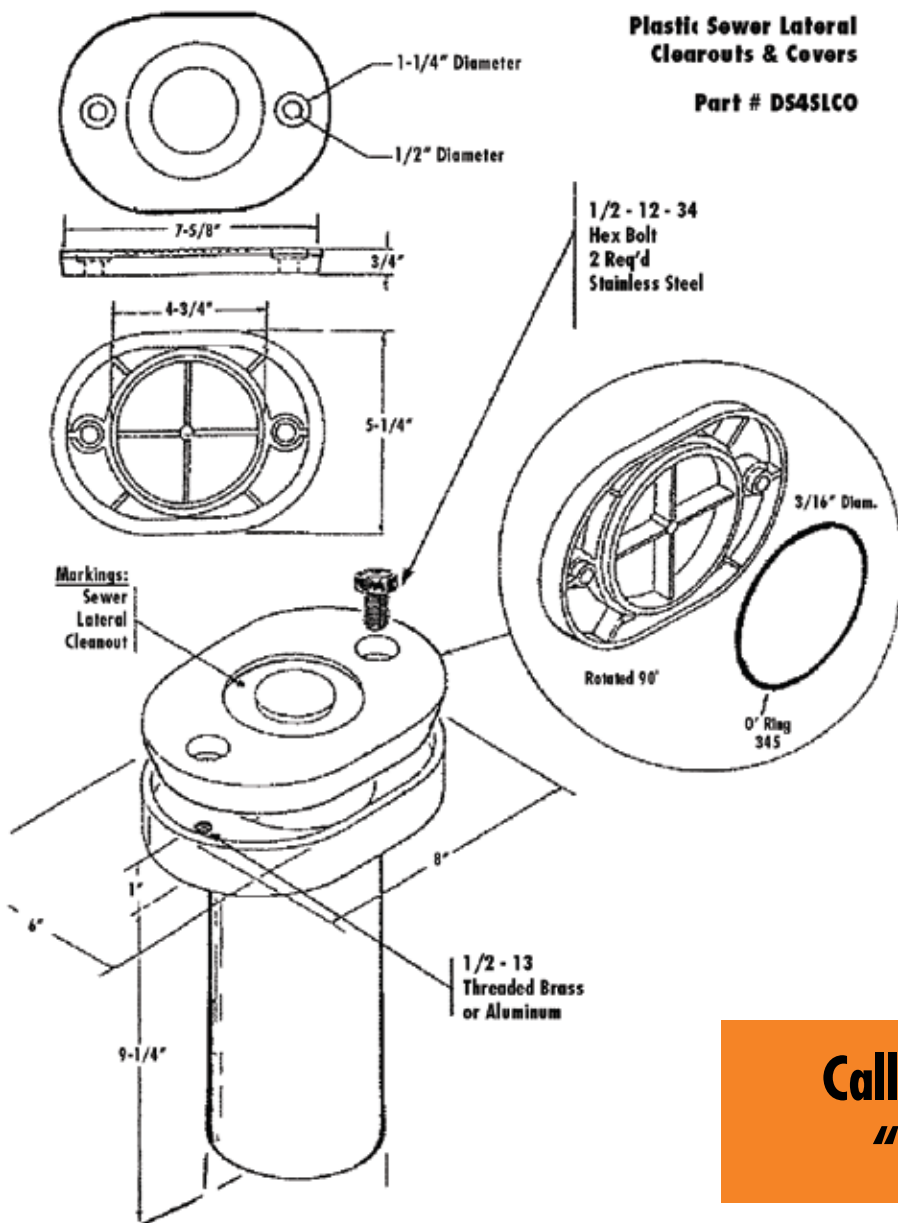
A cleanout with Stainless Steel Bolts for lockdown. Preferred over conventional caps or plugs. O'ring seal for protection from sewer gas escape. With Threaded Brass Inserts. Provides for an easy cleanout, with a tamperproof lid.

Part No.	Size	Description	Carton Quantity
DS4SLCO	4"	Sewer Lateral Cleanout	24
DS4SLCOA	4"	Sewer Lateral Cleanout w/Flex CPLG	18
DS12-13-34	1/2" x 3/4"	Stainless Steel Bolts	Bulk
DS2-345		O'Rings for Sewer Lateral Cleanout	Bulk
DS4SLCOT	4"	Sewer Lateral Cleanout Lid Only w/bolts	Bulk
DS4COT	4"	Lid Only	Bulk



Plastic Sewer Lateral Cleanouts & Covers

Part # DS4SLCO



Test Results: 4/18/02
By Universal Laboratory Inc.

Load Test per ASTM D2412	complies
Impact Test per ASTM D2444	complies
Markings	complies
Materials p.p./s.s./brass	complies
Dimensions	complies

MATERIALS

CAST IRON
PVC, ABS or PP Plastic

Installation Instructions

The clean out is made of polypropylene and can not be solvent welded. Use a flexible coupling with stainless steel band at 60 inch pounds torque. The inside of clean out will slip over SDR-35 pipe.

Call 1-800-222-5644
"We're Flexible"

www.DallasSpecialty.com

CAST IRON SEWER LATERAL CLEANOUT

**For Use In Roadways,
Driveways And Heavy
Traffic Areas**



***Cast Iron Painted Black**

Part No.	Description	Case/Qty.
DS-404A	4" Cast Iron Sewer Lateral Cleanout	Bulk
DS-404C	4" Cast Iron Cleanout Lid Only	Bulk

PLASTIC WITH CAST IRON LID SEWER LATERAL CLEANOUT

**Mostly For Use In
Driveways / Lighter Traffic**



Part No.	Description	Case/Qty.
DS4SLCOWDI	4" Plastic Sewer Lateral Cleanout With Cast Iron Lid	Bulk

Sewer Relief Plugs

Plastic Sewer Relief Valves.
These plugs are designed for use in outside clean-outs to eliminate damage due to sewage back-up. Spring loaded to prevent escaping gases.



Part No.	Size	Qty.
SRP-15	1-1/2"	25
SRP-2	2"	25
SRP-25	2-1/2"	25
SRP-3	3"	25
SRP-35	3-1/2"	25
SRP-4	4"	25

Probe Rod

Fiberglass



Part No.	Size	Qty.
PR4	4'	1
PR5	5'	1
PRT	Replacement Tips	1

Meter Key

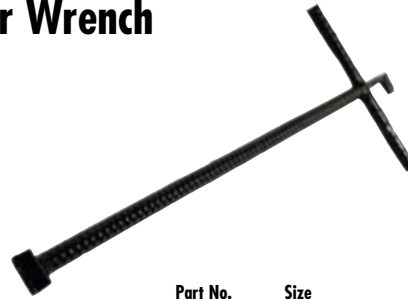
Part No.	Size	Qty.
MK-111	5"	6

Plated steel meter box key. High quality plated steel. No more need for costly brass.

Made in USA



Meter Wrench



Part No.	Size	Bundle Qty.
MS77	3/4 x 32" curb-stop cutt-off	6

Oakum & Packing



Part No.	Size	Case Qtys.
MSE-12	E-Z Tite (24) 27" cut lengths, brown oiled	5 lb box or 50 lb/case
MSS-26	White - 3/8" Sure-seal oakum - 200' bulk length per bag.	10 lb bag or 60 lb/case
MSD-9	Six or seven strands 100' in length, 2" diameter	50 lb/case
MS40107	1/4" x 1200' yellow rope poly twisted rope	1 roll/case

Zinc Anode Caps

For Cathodic/Corrosion Protection
ASTM B-418



Part No.	Size	Threads/Inch	Ounces
DSZC12-13	1/2" lg	13	6.50
DSZC58-11/6	5/8" lg	11	6.00
DSZC34-10/6	3/4" lg	10	5.82
DSZC78-6	7/8" lg	9	5.44
DSZC1-8/9.5	1" lg	8	5.02
DSZC118-7/14.2	1-1/8" lg	7	19.35
DSZC138-6	1-3/8" lg	6	16.48
DSZC114-7/14.2	1-1/4" lg	7	18.56
DSZC112-6/14.2	1-1/2" lg	6	16.48

Corrosion failures of water and gas mains are directly related to the failure of either the nut or bolt combination or the flange secured by the combination. By adding zinc anode caps, a sacrificial metal, the corrosion is altered thus protecting pipes and fittings from corrosion.

Plumbing, Waterworks & Utility

Brass Drop Ear 90° Elbows

Non-lead meets
NSF-61



Part No.	Size	Pkg. Quantity	Mast. Ctn.
DE12-90	1/2"	25	300

Brass Drop Ear Adapter



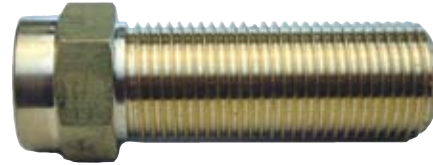
Part No.	Size	Pkg. Quantity	Mast. Ctn.
DE12-CF	1/2"	25	300

Type "M" Copper Stub Outs



Part No.	Size	Box/Case
DS12x8CSO	1/2x8	100
DS34x8CSO	3/4x8	50

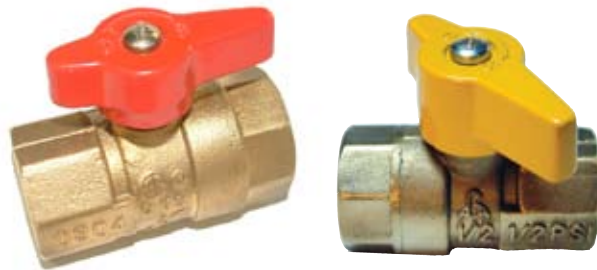
Brass Extension - Long Pattern



Part No.	Size	Box/Case
DS12FxM EXT	1/2" x 3	20/240

FIP Gas Ball Valve

Yellow handle AGA &
CSA listed



Part No.	Size	Color	Box/Case
DSCSA12GV	1/2" IPS	Yellow	120CS
DSCSA34GV	3/4" IPS	Yellow	100CS
DSCSA1GV	1" IPS	Yellow	100CS
DSCSA12GV	1/2" IPS	Red	100CS
DSCSA34GV	3/4" IPS	Red	96CS

Brass Extension - Short Pattern

1/2" FIP x 1/2" MIP
Extensions



Part No.	Size	Pkg. Quantity
DS12FxM EXT	1/2" Male x 1/2" Female x 1" Long	50

Brass Extension - Medium Pattern



Part No.	Size	Pkg. Quantity
DS12FxM EXT	1/2" Male x 1/2" Female x 1-11/16" Long	Bulk

Teflon Tape

Part No.	Size	Qty./Box
MSTT12260	1/2" x 260'	100
MSTT12520	1/2" x 520'	100
MSTT34520	3/4" x 520"	70
MSTT1520	1" x 520'	BULK



Big Red & Mesh Sand Cloth

120 grit 1-1/2" width
Water resistant



Part No.	Size	Qty./Box
MSSC120-10	1-1/2 x 10 Yards Red EZ Clean Cloth	24
MSSC120-MESH	1-1/2 x 10 Yards Mesh Grit Cut Mesh	24

Water Heater Pans & Stands

Aluminum Round Water Heater Safety Pan

For Gas or Electric Water Heaters

2 1/4" Deep

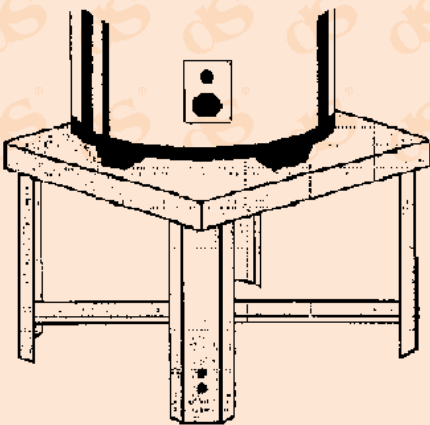


Part No.	Size	Fits
DS87030	18" x 2 1/4"	10
DS87000	20"	10
DS87003	22"	10
DS87006	24"	10
DS87010	26"	10
DS86997	28"	10
DS87013	30"	10

Galvanized Square Water Heater Safety Stands

For Gas or Electric Water Heaters

(Unassembled)



Part No.	Size	Use With	Qty./Box
2401/GHS-1	21 x 21 x 18"	50 - 70 Gallons	3
2402/GHS-2	24 x 24 x 18"	Up to 120 Gallons	2
2431/HPSG-18	18 x 18"		5

Plastic Round Water Heater Safety Pans



Part No.	Size
2131/HPR-18	18"
2141/HPR-20	20"
2151/HPR-22	22"
2161/HPR-24	24"
2171/HPR-26	26"
2191/HPR-28	28"
2181/HPR-30	30"

No Holes Available

Basic Metal Access Doors

Metal Primered (Can be Painted)



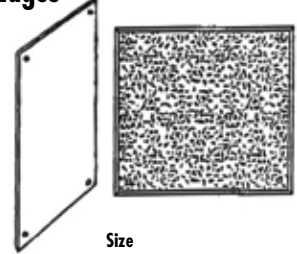
Part No.	Size	Part No.	Size
MSWB-GP6	6 x 6"	MSWB-GP20	20 x 20"
MSWB-GP8	8 x 8"	MSWB-GP2024	20 x 24"
MSWB-GP812	8 x 12"	MSWB-GP2030	20 x 30"
MSWB-GP816	8 x 16"	MSWB-GP22	22 x 22"
MSWB-GP10	10 x 10"	MSWB-GP2224	22 x 24"
MSWB-GP12	12 x 12"	MSWB-GP2230	22 x 30"
MSWB-GP1216	12 x 16"	MSWB-GP2236	22 x 36"
MSWB-GP1218	12 x 18"	MSWB-GP24	24 x 24"
MSWB-GP1224	12 x 24"	MSWB-GP2430	24 x 30"
MSWB-GP14	14 x 14"	MSWB-GP2436	24 x 36"
MSWB-GP16	16 x 16"	MSWB-GP2448	24 x 48"
MSWB-GP1620	16 x 20"	MSWB-GP30	30 x 30"
MSWB-GP1624	16 x 24"	MSWB-GP3036	30 x 36"
MSWB-GP18	18 x 18"	MSWB-GP36	36 x 36"
MSWB-GP1824	18 x 24"	MSWB-GP3648	36 x 48"
		MSWB-GP48	48 x 48"

Special Orders Available in:
Stainless Steel & Fire-Rated Doors,
and Locks, Handles & Accessories.

Water Heater Pans & Stands

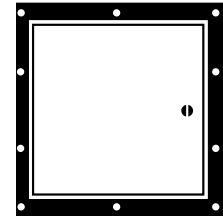
Flat Panel Plastic Access Doors

Requires No Framing
Pre-Drilled With Screws
Beveled Edges



Part No.	Size	Qty.
DSFPAD8	8 x 8"	50
DSFPAD1010	10 x 10"	50
DSFPAD1212	12 x 12"	50
DSFPAD1224	12 x 24"	

Plastic E-Z Access II Panels



Part No.	I.D.	O.D.	Carton Qty.
DS-EZ050050A	5 x 5"	7-3/4 x 8-1/2"	50
DS-EZ060090A	6 x 9"	11-1/2 x 12-1/2"	30
DS-EZ080080A	8 x 8"	11-3/4 x 11-3/4"	30
DS-EZ120120A	12 x 12"		
DS-EZ140140A	14 x 14"	16-3/4 x 16-3/4"	30
DS-EZ140260A	14 x 26"	16-1/2 x 29-1/2"	15

Can be used vertical or horizontal. Panel stays in place.
Use all access needs; plumbing, electrical, valves,
pumps, etc.

Call 1-800-222-5644



www.DallasSpecialty.com

Plumbing, Waterworks & Utility

Heavy Duty PVC Test Caps/Tec-Cap

High Pressure Tested, Fits over the end of DWV pipe for easy glue-on fit



Part No.	Size	Case/Qty.
DSHDC-15	1- 1/2"	100
DSHDC-2	2"	100
DSHDC-3	3"	100
DSHDC-4	4"	75

PVC Knock-Out Caps

Plastic Solvent-Weld Test Caps (styrene) For use as Test Cap by solvent-welding



Part No.	Size	Case/Qty.
KO-15	1- 1/2"	BULK/200
KO-2	2"	BULK/200
KO-3	3"	BULK/200
KO-4	4"	BULK/200
KO-6	6"	150

Orange Slip-Test Caps

Orange, Slip-on or Push-on Polyethylene Caps For use as Test Cap without having to glue



Part No.	Size	Case/Qty.
STC - 15	1-1/2"	100/1300
STC - 2	2"	100/900
STC - 3	3"	25/300
STC - 4	4"	20/200
STC - 6	6"	BULK/200
STC - 8	8"	1
STC - 10	10"	1
STC - 12	12"	1
STC - 14	14"	1
STC - 16	16"	1

18" - 24" Available

Pipe Fit Strainer

PVC Grate, PVC Drain that fits inside SCH40 PVC



Part No.	Size	Case/Qty.
PF-2	2"	100/case
PF-3	3"	100/case
PF-4	4"	50/ case

Automatic Plumbing Vent

A Secondary Vent—1 1/2" IPS



Part No.	Size	Case/Qty.
APV-15	1-1/2"	50

PVC Offset Elbow



Part No.	Description	Qty.
MS6 PVC	Hub x Hub 2" PVC offset	50

PVC-Traps (P-Traps & Running Traps)

For air conditioning condensate lines



3/4 Flex Cplg. Available

Part No.	Description	Case/Qty.
PT-34	3/4" P-Trap	25
PT-1	1" P-Trap	25
RT-34	3/4" Running Trap	25

PVC IPS Backwater Valves Solvent Weld



Part No.	Description	Case/Qty.
PVC3282W	2"	1
PVC3283W	3"	1
PVC3284W	4"	1
PVC3286W	6"	1

Wedge



Part No.	Bag/Qty.
DS-WDG	100/500

Dishwasher Connector

With 2 Worm Gear Clamps



Part No.	Case/Qty.
DC2-WG	Bulk/100

Dal-Clamp™

Plastic pipe clamps with Pre-loaded nails. Heavy duty clamps for plastic or metal piping.



Part No.	Description	Bag Qty./Case Qty.
DCN12	1/2" CTS (3/8" IPS) Grey	100/1000
DCN34	3/4" CTS (1/2" IPS) Grey	100/1000
DCN1	1" CTS (3/4" IPS) Grey	100/1000

Closet Stabilizer

Wobble Free

Plastic Stabilizer (styrene) solvent-welds to the closet bend or pipe. PVC or ABS pipe.



Part No.	Description	Case/Qty.
CS-3	3" (flush)	75
CS-4	4" (flush)	75

Polypropylene Rope

For use as tie down and for well pump use. Heavy Duty Rope.



Part No.	Description	Case/Qty.
MS40107	1/4" x 1200' Yellow	1 roll

Tracer Wire 500' Spools

Blue, Yellow and Green available. Underground Tracer Wire for P.E., Steel, Plastic, Gas, Water & Sewer Lines



Part No.	Description
MSTW 12-500	12 GA. Yellow
MSTW 12B-500	12 GA. Blue
MSTW 12G-500	12 GA. Green
MSTW 14-500 BLUE	14 GA. Blue
MSTW 14-500 YELLOW	14 GA. Yellow
MSTW 18-500	18 GA. Yellow

Wax Rings



Part No.	Description	Case/Qty.
HVBOLWAX	without Flange	48
HVNOSEEPWAX	with Flange & Closet Bolts	24

Plumbers Universal O-Ring Kit

200 Assorted sizes
(12 Most popular sizes)



Part No.	Description
O-RING	3/8" ID x 1/2" OD x 1/16" wall to 3/4" ID x 15/16" OD x 3/32" wall

Galvanized Dal-Flange Kit

Replacement kit for rusted metal rings, kit includes closet bolts



Part No.	Size	18 in box
DF-34	4"	

Foam Sealant



Part No.	Case/Qty.
MSPC8-1224	12

Perforated Hanger-Iron

28-30 GA. 3/4 width Galv. Strap
Sold by case only



Part No.	Size	Case/Qty.
1638	100' coils	10 rolls/1000'/case
1640	10' coils	100 rolls/1000'/case
1740	10' copper clad	50 rolls/case

Torches & Gas Products



Part No.	Description	Case/Qty.
MST655	High Output Swirl Torch (multi-task) for use w/ Mapp or Propane Gas	6
MST751	Heat shrink torch w/ guard	6
MSMG9	Mapp Gas Cylinders 16 oz. bottles	12

Cable Saws

Caution: Always use eye protection when using this product.



Part No.	Description	Case/Qty.
CS-24	24" Cable Saw	12
CS-36	36" Cable Saw	12
FK-CS-36	36" Flush Kut Cable Saw	12

Mini Hack Saws & Blades



Part No.	Size	Case/Qty.
MS6	6" long	12
MS6-32P	blades	bulk

Inside Pipe Cutter

High Quality
Made in USA



Part No.	Description
DS100 CUTTER	Cutter with 1 Blade
DS102 BLADE	2 Blades

Spacer Flange



The spacer flange repairs the broken portion of the closet flange. Just place the Spacer Flange under the corroded or broken area of the flange and secure the closet bolts. Install new bowl wax. The spacer flange fits all closet flange fits all closet flange, PVC, ABS, cast iron, copper and metal flanges.

Part No.	Qty.
DSSF-100	BULK/200

Duct Tape

High Quality
Made in USA



Part No.	Description	Qty.
DT-260	2" x 60 yd. Silver	24
DT-260 BLK	2" x 60 yd. Black	24
DT-1 W	1" x 60 yd. White	24

Yellow Caution Tape



Part No.	Size	Case/Qty.
DSYTC-3300	3 x 300	12 rolls
DSYTC-3100	3 x 1000	6 rolls

Gas Pipe Wrap

For Gas Lines



Part No.	Size	Case/Qty.
MSGPW	2" x 100' 10 mil. Black	6 rolls/sleeve 36/case
MSGPW4	4" x 100' 10 mil. Black	6 rolls/sleeve 36/case

Stretch Wrap/Box Tape

Stretch wrap, for your warehousing pallet wrapping.



Part No.	Description	Case/Qty.
STRETCHWRAP	Clear 18"/80 gauge	4 rolls
Clear Box Tape 2	2"x110 yds	36
Clear Box Tape 3	3"x110 yds	24
Tape Gun	3" Dispenser	1

Utility Straps (Bundy Straps)

Domestic, High-Quality, Rubber, All-Purpose Straps



Part No.	Size	Case/Qty.
US - 15	15"	50
US - 21	21"	50
US - 31	31"	50
US - 41	41"	50

ESCUTCHEONS

Plastic Combo Escutcheons

Plastic, solid or split (Just cut for a split escutcheon) Plastic Escutcheons are solid until you cut at the part line which then gives you a split ring escutcheons.



(Cut on Parting Line with Scissors or Box Knife for split Esch.)

Part No.	Description	Bag/Case Qty.
ESCH-14I	1/4" IPS (3/8 OD) White (non-split)	200/1000
ESCH-12	1/2" CTS (3/8" IPS) White (5/8" CTS)	400/2000
ESCH-12I	1/2" IPS White	400/2000
ESCH-34	3/4" CTS White (7/8" CTS)	400/2000
ESCH-34I	3/4" IPS White (non-split)	200/1000
ESCH-11	1" IPS White (non-split)	200/1000
ESCH-114I	1 1/4" IPS White (non-split)	200/1000
ESCH-112	1 1/2" IPS White	200/1000
ESCH-2I	2" IPS White (non-split)	200/1000

Sure Grip Polished Brass Escutcheons

Brass Flanges



Part No.	Size	OD	Bag/Case Qty.
PBESCH-12	1/2" CTS	2-1/2"	1/200
PBESCH-12I	1/2" IPS	2-1/2"	1/200

High Box Escutcheons Flange

Chrome Plated Steel



Part No.	Size	Height	OD	Bag/Case Qty.
DSHBESCH-114	1-1/4" OD	1-3/4"	8"	5/200
DSHBESCH-114I	1-1/4" IPS	1-3/4"	3"	5/200
DSHBESCH-112	1-1/2" OD	1-3/4"	3"	5/200
DSHBESCH-112I	1-1/2" IPS	1-3/4"	8"	5/200

Sure Grip Chrome Plated Escutcheons

Steel Flanges



Part No.	Size	Height	OD	Bag/Case Qty.
CESCH-12	1/2" CTS		2-1/2"	50/2000
CESCH-34	3/4" CTS		2-1/2"	50/2000
CESCH-34I	3/4" IPS	1/2"	2-1/2"	50/2000
CESCH-1	1" CTS		2-1/2"	50/2000
CESCH-38I	3/8" IPS	1/2"	2-1/2"	50/2000
CESCH-12I	1/2" IPS	1/2"	2-1/2"	50/2000
CESCH-11	1" IPS	5/8"	2-7/8"	25/2000
CESCH-114I	1-1/4" IPS	5/8"	2-7/2"	50/2000
CESCH-112I	1-1/2" IPS	3/4"	3"	50/2000
CESCH-112I-312	1-1/2" IPS	3/4"	3-1/2"	50/2000
CESCH-2I	2" IPS	3/4"	3-1/2"	25/2000

Sure Grip Floor & Ceiling Plates

Chrome Plated (steel) .016 gauge steel split escutcheon



Part No.	Size	OD	Bag/Case Qty.
DSFCP-12	1/2" CTS	2-7/8"	12/720
DSFCP-12I	1/2" IPS	2-7/8"	12/720
DSFCP-34	3/4" CTS	2-7/8"	12/720
DSFCP-34I	3/4" IPS	2-7/8"	12/720
DSFCP-1	1" CTS	3-5/8"	12/576
DSFCP-11	1" IPS	3-5/8"	12/576
DSFCP-114I	1-1/4" IPS	3-5/8"	12/576
DSFCP-112I	1-1/2" IPS	3-5/8"	12/576
DSFCP-2I	2" IPS	4-5/8"	12/576

Call 1-800-222-5644
"We're Flexible"

PIPE INSULATION



PS Polymer Foam Pipe Insulation with Peel & Seal Seam Closure System

HS Polymer Foam Pipe Insulation Half-Slit Design, for use where Condensation is not a Factor

Contact Adhesive # ICAP 1 Pint Can 24/case

Nominal Wall Thickness - 3/8 Inch

Insulation ID Nominal	Tubing & Pipe Sizes CTS Nominal		CTS OD	IPS Nominal	Packaging FT/CTN	Part numbers PS
5/8"	1/2"	5/8"	3/8"		396	6P038058
7/8"	3/4"	7/8"			420	6P038078
1-1/8"	1"	1-1/8"			300	6P038118
1-3/8"	1-1/4"	1-3/8"			180	6P038138
1-5/8"	1-1/2"	1-5/8"	1-1/4"		138	6P038158
1-7/8"					120	6P038178
2"			1-1/2"		126	6P038200
2-1/8"	2"	2-1/8"			102	6P038218
2-3/8"			2"		84	6P038238
2-5/8"	2-1/2"	2-5/8"			72	6P038258
2-7/8"			2-1/2"		60	6P038278
3-1/8"	3"	3-1/8"			54	6P038318
3-1/2"			3"		48	6P038348
3-5/8"	3-1/2"	3-5/8"			48	6P038358
4-1/8"	4"	4-1/8"			42	6P038418
4-1/2"			4"		36	6P038448

Contact Adhesive # ICAHP 1/2 Pint Can 48/case

Nominal Wall Thickness - 1/2 Inch

Insulation ID Nominal	Tubing & Pipe Sizes CTS Nominal		CTS OD	IPS Nominal	Packaging FT/CTN	Part numbers PS
3/8"	1/4"	3/8"	1/8"		414	6P048038
5/8"	1/2"	5/8"	3/8"		300	6P048058
3/4"	5/8"	3/4"	1/2"		264	6P048068
7/8"	3/4"	7/8"			240	6P048078
1"			3/4"		210	6P048100
1-1/8"	1"	1-1/8"			186	6P048118
1-1/4"			1"		168	6P048128
1-3/8"	1-1/4"	1-3/8"			150	6P048138
1-5/8"	1-1/2"	1-5/8"	1-1/4"		120	6P048158
1-7/8"					102	6P048178
2"			1-1/2"		102	6P048200
2-1/8"	2"	2-1/8"			84	6P048218
2-3/8"			2"		72	6P048238
2-5/8"	2-1/2"	2-5/8"			66	6P048258
2-7/8"						6P048278
3-1/8"	3"	3-5/8"			48	6P048318
3-5/8"	3-1/2"	3-1/2"			36	6P048358
4-1/8"	4"	4-1/8"	4-1/8"		30	6P048418
4-1/2"			4"		30	6P048448

Nominal Wall Thickness - 3/4 Inch

Insulation ID Nominal	Tubing & Pipe Sizes CTS Nominal		CTS OD	IPS Nominal	Packaging FT/CTN	Part numbers PS
1/2"					210	6P068048
5/8"	1/2"	5/8"	3/8"		180	6P068058
7/8"	3/4"	7/8"			150	6P068078
1-1/8"	1"	1-1/8"			120	6P068118
1-3/8"	1-1/4"	1-3/8"			96	6P068138
1-5/8"	1-1/2"	1-5/8"	1-1/4"		84	6P068158
2"			1-1/2"		66	6P068200
2-1/8"	2"	2-1/8"			54	6P068218
2-3/8"			2"		54	6P068238
2-5/8"	2-1/2"	2-5/8"			48	6P068258
3-1/8"	3"	3-1/8"			36	6P068318
3-5/8"	3-1/2"	3-5/8"			30	6P068358
4-1/8"	4"	4-1/8"			24	6P068418

Nominal Wall Thickness - 1 Inch

Insulation ID Nominal	Tubing & Pipe Sizes CTS Nominal		CTS OD	IPS Nominal	Packaging FT/CTN	Part numbers PS
1/2"	3/8"	1/2"	1/4"		126	6P100048
5/8"	1/2"	5/8"	3/8"		126	6P100058
3/4"	5/8"	3/4"	1/2"		120	6P100068
7/8"	3/4"	7/8"			102	6P100078
1"			3/4"		96	6P100100
1-1/8"	1"	1-1/8"			84	6P100118
1-3/8"	1-1/4"	1-3/8"			72	6P100138
1-5/8"	1-1/2"	1-5/8"	1-1/4"		60	6P100158
2-1/8"	2"	2-1/8"			54	6P100218
2-5/8"	2-1/2"	2-5/8"			36	6P100258
3-1/8"	3"	3-1/8"			24	6P100318
4-1/8"	4"	4-1/8"			24	6P100418

Half Slit

(other sizes available)

Part No.	Description	Case Qty.
6H038058	5/8" x 3/8" wall	396
6H038078	7/8" x 3/8" wall	276
6H048058	5/8" x 1/2" wall	300
6H048078	7/8" x 1/2" wall	240
6H038118	1-1/8" x 3/8" wall	240
6H048118	1-1/8" x 1/2" wall	150

Plumbing, Waterworks & Utility

Black Polyethylene Water Pipe (CTS-OD) SDR-9 CTS

SDR-9 CTS

NuMex PE3408 200 psi Water Service Line Tubing

ASTM D 2737 Polyethylene (PE) Plastic Tubing

SDR-PR (Standard Dimension Ratio-Pressure Rated)

Based on Controlled Outside Diameter NSF Approved NSF-pw

Serving the North Texas market only.



SPECIAL ROLL SIZES AVAILABLE

Plastic Tube Cutter - DS-PTC1

- Hardened Tool Steel Blade
- Light Weight
- Cut Up To 1-1/2" O.D. Poly Tubing



Part No.	Nominal Size in.	Nominal O.D. inches	Approx. L.D.	Average Wall inches	LBS. Per 100 FT. inches	100' coil	200' coil	300' coil
MS600210/MS600250	3/4"	0.875	0.671	0.102	10.3	✓		
MS600310/MS600330	1"	1.125	0.865	0.130	16.9	✓		✓
MS600410/MS600430	1-1/4"	1.375	1.060	0.158	25.0	✓		✓
MS600510/MS600530	1-1/2"	1.625	1.250	0.186	34.8	✓		✓
MS600610/MS600620	2"	2.125	1.640	0.242	59.4	✓	✓	

FLO FITTINGS (For cold water only)

PVC Water Service Fittings (CTS)

NSF - PW / Potable Water Approved

For use on PE-tube SDR9-200PSI/ASTM D-1248
Also for PB tube SDR9-250PSI/ASTM D-2666

Couplings

*Insert stiffeners supplied, must be used with this fitting.

Part No.	Description	Box/Qty.
MS710-07	3/4" TS	35
MS710-10	1" TS	24
MS710-12	1-1/4" TS	15
MS710-15*	1-1/2" TS	16
MS710-17-9	1" x 3/4" SDR	12
MS710-20*	2"	12

710 Series



Female Adapters

*Insert stiffeners supplied, must be used with this fitting.

Part No.	Description	Box/Qty.
MS731-07	3/4" FIPT x 3/4" TS	25
MS731-71	3/4" FIPT x 1" TS	15
MS731-10	1" FIPT x 1" TS	15
MS731-12	1-1/4" x 1-1/4" TS	12
MS731-12-10	1" FIPT x 1-1/4" TS	12
MS731-15*	1-1/2" FIPT x 1-1/2" TS	18
MS731-20*	2" FIPT x 2" TS	12

731 Series



Male Adapters

*Insert stiffeners supplied, must be used with this fitting.

Part No.	Description	Box/Qty.
MS730-07	3/4" MIPT x 3/4" TS	25
MS730-71	3/4" MIPT x 1" TS	18
MS730-127	3/4" MIPT x 1-1/4" TS	18
MS730-10	1" MIPT x 1" TS	18
MS730-12-10	1" MIPT x 1-1/4" TS	12
MS730-12	1-1/4" MIPT x 1-1/4" TS	12
MS730-15*	1-1/2" MIPT x 1-1/2" TS	18
MS730-20*	2" MIPT x 2" TS	12

730 Series



Spigot Adapters

*Insert stiffeners supplied, must be used with this fitting.

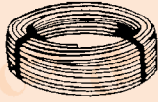
Part No.	Description	Box/Qty.
MS733-07	3/4" IPS Spigot x 3/4" TS	18
MS733-71	3/4" IPS Spigot x 1" TS	18
MS733-10	1" IPS Spigot x 1" TS	18
MS733-12	1-1/4" IPS Spigot x 1-1/4" TS	12
MS733-15	1-1/2" IPS Spigot x 1-1/2" TS	18
MS733-20	2" IPS Spigot x 2" TS	12

733 Series



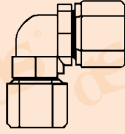
Fast & Tite Fittings and PE Tube for Water

Part No.	Description
E-43-Y-0500	1/4" OD x 500' Y
E-64-Y-0500	3/8" OD x 500' Y
MSPGP12500CT	1/2" OD x 500' IPS Y



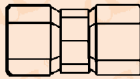
Compression 90 Elbows

Part No.	Description
P4EU4	1/4" OD ELBOWS
P6EU4	3/8" x 1/4" OD ELLS
P6EU6	3/8" OD ELBOWS
P8EU6	1/2" - 3/8" OD ELLS
P8EU8	1/2" OD ELBOWS
P10EU10	5/8" OD ELBOWS



Compression Elbows

Part No.	Description
P4UC4	1/4" OD
P6UC4	3/8" - 1/4" OD
P6UC6	3/8" OD
P8UC6	1/2" - 3/8" OD
P8UC8	1/2" OD
P10UC6	5/8" - 3/8"
P10UC8	5/8" - 1/2"
P10UC10	5/8"



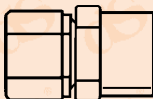
Compression Tees

Part No.	Description
P4TU4	1/4" OD
P6TU6	3/8" OD
P8TU6	1/2" - 3/8" OD
P8TU8	1/2" OD
P10TU6	5/8" - 3/8" OD
P10TU10	5/8" OD



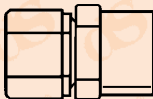
Comp x FIP Adapters

Part No.	Description
P4FC2	1/4" OD x 1/8"
P4FC4	1/4" OD x 1/4"
P6FC4	3/8" OD x 1/4"
P6FC6	3/8" OD x 3/8"
P8FC6	1/2" OD x 3/8"
P8FC8	1/2" OD x 1/2"
P10FC8	5/8" OD x 1/2"



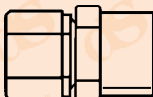
Comp x MIP Adapters

Part No.	Description
P4MC2	1/4" OD x 1/8"
P4MC4	1/4" OD x 1/4"
P6MC4	3/8" OD x 1/4"
P6MC6	3/8" OD x 3/8"
P6MC8	3/8" OD x 1/2"
P8MC4	1/2" OD x 1/4"
P8MC6	1/2" OD x 3/8"
P8MC8	1/2" OD x 1/2"
P10MC4	5/8" OD x 1/4"
P10MC6	5/8" OD x 3/8"
P10MC8	5/8" OD x 1/2"
P12MC88	3/4" B x MIP



Comp x MIX 90 Elbows

Part No.	Description
P4ME2	1/4" OD x 1/8"
P4ME4	1/4" OD x 1/4"
P4ME6	1/4" OD x 3/8"
P6ME6	3/8" OD x 3/8"
P8ME6	1/2" OD x 3/8"
P8ME8	1/2" OD x 1/2"
P10ME8	5/8" OD x 1/2"



Newmatic™ Test Plugs (inflatable)

Regular and Large Diameter Plugs



Part No.	Description	Carton Qty.
DS 10-010	1 1/4" - 1 1/2"	1
DS 10-020	2"	1
DS 10-030	3"	1
DS 10-040	4"	1
DS 10-050	5"	1
DS 10-060	6"	1
DS 10-080	8" (large diameter)	1
DS 10-100	10" (large diameter)	1
DS 10-120	12" (large diameter)	1

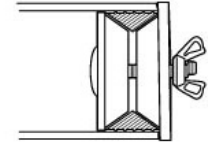
Long Test Plug



Part No.	Size	Carton Qty.
DS 20-020	2"	1
DS 20-030	3"	1
DS 20-040	4"	1
DS 20-060	6"	1

Plastic Mechanical Plug

Hand Tighten Only



MECHANICAL WEDGE PLUG



Part No.	Size	Carton Qty.
DS 40-010	1-1/2"	6
DS 40-020	2"	6
DS 40-030	3"	6
DS 40-040	4"	6
DS 40-060	6"	5
DS 40-080	8"	1

Metal Mechanical Plug Wing Nut Plugs



Part No.	Size	Carton Qty.
DS 50-010	1-1/2"	36
DS 50-020	2"	36
DS 50-030	3"	36
DS 50-040	4"	36
DS50-050	5"	1
DS50-060	6"	1
DS50-080	8"	1
DS50-0100	10"	1

Available up to 24"

Plumbing, Waterworks & Utility

Washing Machine Filler Hose

High pressure, rubber automatic washer hose.



Part No.	Size	Carton Qty.
MS215-5	5'	5'/case

Dishwasher Drain Hose

Dispenser Box



Part No.	Size	Carton Qty.
MS1826	5/8 x 50'	50'/case
MS1827	7/8 x 50'	50'/case

Iodon Drain Covers

Stainless steel floor drain covers for all four nominal pipe size. (cast iron, clay tile, plastic, etc.)



Part No.	Size	Carton Qty.
MS186-5	cover for 4" pipe	Bulk
MS186-4	cover for 3" pipe	Bulk
MS186-3	cover for 2" pipe	Bulk
MS186-2	cover for 1 1/2" pipe	Bulk

Pump & Hose



Part No.	Size	Carton Qty.
DS 99-000	Test Pump	1
DS 99-001	Replacement Hose	1
DS 99-002	24" extension hose	1
DS 99-003	36" extension hose	1
DS 99-005	60" extension hose	1
DS 99-010	120" extension hose	1
DS 99-020	240" extension hose	1

Flow-Thru Plug (Muni)



Part No.	Size	Carton Qty.
DS 30-040	4"	1
DS 30-060	6"	1
DS 30-080	8"	1
DS 30-100	10"	1
DS 30-120	12"	1

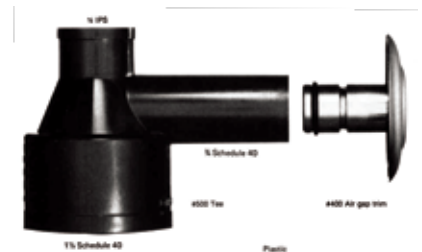
Tee-Plug



Part No.	Size	Carton Qty.
DS 15-020	2"	1
DS 15-030	3"	1
DS 15-040	4"	1

Johnson Tee with air gap trim

IAPMO Approval #13048



Part No.	Size	Carton Qty.
MSJT (Johnson Tee)	1-1/2 x 1/2 x 3/4"	Bulk
MSAGT (Air Gap Trim) fits inside 3/4" schedule 40		100/box
MS300 (Chrome Over Tube Air Gap)		

Adjustable with oring construction, outlet can be cut off or extended, fully consealed in the wall, handles all household dishwashers. The Johnson air gap effectively stops waste water at the dishwasher and directs it to the drain without worry of contamination. The Johnson Tee is the only wall-type air gap, patented and Made in the USA.

PLUMBING PRODUCTS ATLAS EPOXYBOND

Plumber Paste Fast Set

Sets in 5 minutes.



Part No.	Case/Qty.
530341	72 sets/carton
530347	36 sets/carton

Plumber Fast Seal

Sets in 12 minutes.



Part No.	Case/Qty.
530309	48 sticks/carton

Plumber-Crete

For fast repairs of concrete
and block surfaces.
Sets in 5 minutes.



Part No.	Case/Qty.
530324	2 pails/ carton
530321	1 x 50 lb. Pail

DAP Kwik-Seal Tub & Tile Caulk

Ideal for: tubs, sinks, showers, porcelain fixtures, resetting
loose tile, splashboards & more

Part No.	Description	Bag/Case Qty.
MS18101	WHITE 5.5 oz.	12
MS18102	BONE 5.5 oz.	12
MS18103	CLEAR 5.5 oz.	12
MS18104	BLACK (caulk cartridge)	12
MS18854	Black (heat resistant) 10 oz.	12

Plumber Seal Putty

Stops most leaks without draining.



Part No.	Case/Qty.
530310	40 sets/carton
530346	20 sets/carton

Plumber Seal

Industrial strength epoxy putty.



Part No.	Case/Qty.
110513	2-1/2 oz. 12 sets/carton

Plumber Paste

For thin film applications.



Part No.	Case/Qty.
530332	18 boxes/carton

JB-Weld

Part No.	Case/Qty.
8280 Industro Weld	24
8265-S Skin Card	1



Call

1-800-222-5644

"We're Flexible"

STAINLESS STEEL GEAR CLAMPS



13 H Series

300 Series stainless steel band and housing with a deep slotted 5/16" hex head plated carbon steel screw.



43 H Series

300 Series stainless steel band and housing with a deep slotted 5/16" hex head 300 series stainless steel screw. (IAPMO listed UPC hose clamps available on request)



56 Series

(quick release, snaplock)

Screw: 5/16" hex-head. Zinc plated, yellow dichromate, carbon steel.
Band and housing: 9/16" wide. Stainless steel.
Bridge: Zinc plated, yellow dichromate, carbon steel.



13M or 43M Series

(miniature clamps)

13M-300 Series stainless steel band and housing with slotted 1/4" hex head plated carbon steel screw.

316 Stainless Steel Marine-Grade Clamps Available

43M-300 series stainless steel band and housing with 1/4" hex head slotted 300 series stainless steel screw.



62 Series Micro-gear Clamps

67 Series

68 Series

13H or 43H Series

Size No.	Clamp Size	
	Min	Max
#06	7/16	7/8
#08	7/16	1
#10	1/2	1-1/8
#12	5/8	1-1/4
#16	3/4	1-1/2
#20	7/8	1-3/4
#24	1-1/8	2
#28	1-1/4	2-1/8
#32	1-1/2	2-3/8
#36	1-3/4	2-5/8
#40	2	2-7/8
#44	2-1/4	3-1/8
#48	2-1/2	3-3/8
#52	2-3/4	3-5/8
#56	3	3-7/8
#60	3-1/4	4-1/4
#68		
#72	4	4-7/8
#80	3-1/2	5-3/8
#88	4	5-7/8
#96	4-5/8	6-1/2
#104	5-1/8	7

56 Series

Quick Release/Snaplock

Size No.	Clamp Size	
	Min	Max
#5611652	2	7-3/4
#5612852	2	8-1/2
#5615252	2	10
#5618852	2	12
#5625852	1-3/16	16-1/4
#5627252	1-15/16	17
#5633252	2	21-1/4

13M or 43M Series

Size No.	Min.	Max.
#02	7/32	5/8
#03	5/16	7/8

62 Series

Micro-gear Clamps

Size No.	Min.	Max.
#6202	7/32	5/8
#6203	5/16	7/8



Stainless Steel Clamps for Flexible Pipe Couplings

1/2" - 9/16" width
300 Series Stainless Steel available upon request

DS Series

	Min	Max		Min	Max
DS-24	1-1/2"	Fits cooper/Tubular	DS-128	6"	Fits Clay & 6" A/C
DS-28	1-1/4"	Fits C.I./PVC	DS-140	6"	Fits Concrete
DS-32	1-1/2"	Fits C.I./PVC	DS-152	8"	Fits C.I./PVC
DS-40	2"	Fits C.I./PVC	DS-164	8"	Fits Clay, A/C, DI
DS-60	3"	Fits C.I./PVC	DS-188	8"	Concrete & 10" CI
DS-72	4"	Fits 4" PVC	DS-200	10"	Fits Clay & 10" A/C
DS-80	4"	Fits C.I./PVC & A/C DI	DS-212	12"	C.I./PVC & 10" Con
DS-88	4"	Fits Clay	DS-224	12"	Fits A/C, DI
DS-96	5"	Fits 5" PVC	DS-248	15"	CI/PVC & Concrete
DS-116	6"	Fits C.I./PVC	DS-312	15"	Fits Clay & A/C, DI

Dal-Sleeve[®] 4, 6, 10, & 25 mil Polyethylene Sleeve for Pipe or Tube for Portable Water

Dal-Sleeve is used for corrosion and abrasion protection of potable water lines and tubing (copper, CPVC, and polybutylene or steel piping) in underground installations and penetration of concrete floors and footings.

Available Colors: Blue, Red, Black, Yellow

UPC Underground Protective Conduit. For sleeving Copper, Steel, CPVC, PEX Tube & PVC Pipe

Part No.	Color	Fits Pipes Sizes	Roll Size/Case Qty.
DS123B4	Blue	1" (4 mil)	200'/roll 4000'/case
DS123R4	Red	1" (4 mil)	200'/roll 4000'/case
DS123Y	Yellow	1" (6 mil)	200'/roll 4000'/case
DS123R	Red	1" (6 mil)	200'/roll 4000'/case
DS123B	Blue	1" (6 mil)	200'/roll 4000'/case
DS-123BK	Black	1" (6 mil)	200'/roll 4000'/case
DS-2BLUE	Blue	2" (6 mil)	200'/roll 2400'/case
DS-346BLUE	Blue	3-6" (6 mil)	400'/roll 400'/case
DS-123B 10	Blue	1" (10 mil.)	250'/roll/2250'/case
DS-123R 10	Red	1" (10 mil.)	250'/roll /2250'/case
DS-123BLK 10	Black	1" (10 mil.)	250'/roll 2250'/case
DS-123R 25	Red	1/2 - 1"(25 mil.)	100'/roll 900'/case
DS-123B 25	Blue	1/2 - 1"(25 mil.)	100'/roll 900'/case



Installation

GENERAL - The polyethylene sleeve should prevent contact between the pipe or tubing and the surrounding backfill, bedding material, concrete floors, or footings but is not intended to be a completely air-tight and water-tight enclosure. The ends of the sleeve should be secured by duct tape, plastic string or any other material capable of holding the sleeving in place until the backfilling operations or pouring of concrete is completed.

PIPE AND TUBING - Cut the polyethylene sleeve to a length approximately one foot longer than section of pipe or tubing to be protected. Slip the sleeve over the pipe or tube, centering it to provide six inches additional sleeve coverage at each end to protect the pipe or tube. Repairs any rips or punctures to the sleeve with another short length of sleeving cut open, wrapped around the pipe and taped. Proceed with installation of the next section of pipe or tubing in the same manner.

EXPOSURE TO SUNLIGHT - Prolonged exposure to sunlight will eventually deteriorate polyethylene film therefore, exposure to backfilling around wrapped pipe should be kept to a minimum.

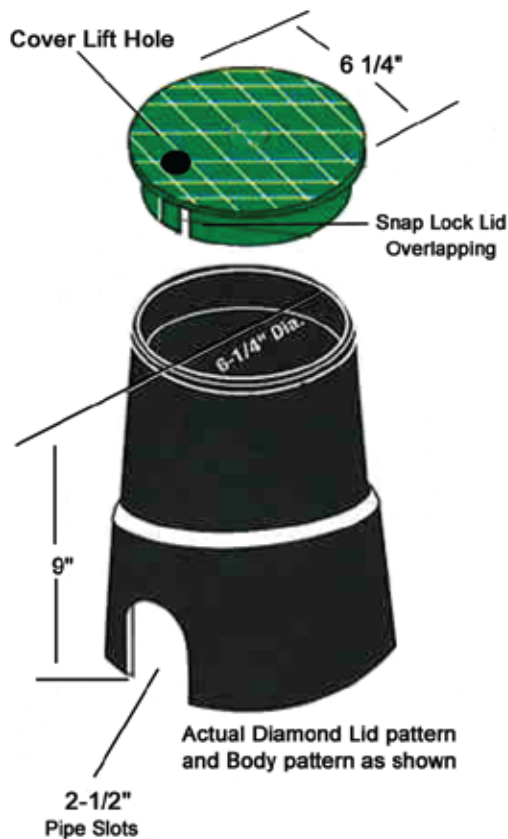
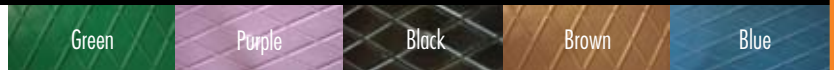
Lawn Irrigation & Waterworks

DS109

6" VALVE BOX—COMMERICAL GRADE

Diamond Valve Box Series

DS109 SPECIFICATION SHEET



Additional Lid Colors Available Upon Request
Markings: Water, Sewer City Side Clean-Out
Reclaimed Water, Aquatech

Dimensions	I.D.	O.D.	Height
Lid Top		6-1/2"	1-1/2"
Lid Bottom	5-1.4"	5-1/2"	
Box Top	6-1/4"	6-1/2"	
Box Bottom	7-1/2"	7-3/4"	
Box Assm.			9"
Pipe Slots	2-1/2"		

Properties	ASTM	Test Value
Tensile Strength at yield	D638	3480 PSI
Density	D792	0.918
Durometer, Shore D	D2240	0.825
Deflection Temperature	D648	200F @ 66PSI
IZOD Impacted Notched at 23C	D256	1.05 ft.lbs/in
IZOD Impacted Unnotched at 18C	D256	5.3 ft.lbs/in

Independent Test Lab Results

Part Number	Description / Markings	Weight	Color Cover / Box	Box Pallet Qty.
DS109	6" Round Valve Box w/Solid Lid	1.5 lb	Green/Black	36 / 720
DS109B	6" Round Valve Box Body Only	1.1 lb	Black	36 / 720
DS109L	6" Round Solid Lid Only	4 oz	Green	25

DS109 Truckload Qty 14,400 pc/20 Pallets

SPECIFICATIONS: Dallas Specialty 6" round valve boxes and lids are injection molded of reprocessed and/or virgin polyolefin materials. Polyolefin Plastic, the Family of Polyolefin's, includes polyethylene, polypropylene, ethylene vinyl acetate ionomers, polybutylene, polyisobutylene, and polymethipentene, " source Rosato's Dictionary". Dyes and other additives are added, along with processing lubricants when needed. The 6" round body is tapered, for nesting purposes. The base of the box has a flange. The 6" box has a 2-1/2" pipe slot for your piping needs. Used mainly with sprinkler system applications, but has many uses for your commerical in ground needs. The DS109 box may be extended to any depth by use of 6" plastic pipe for extension.

Customized upon request.
All boxes available with special markings,
special colors and custom finished.



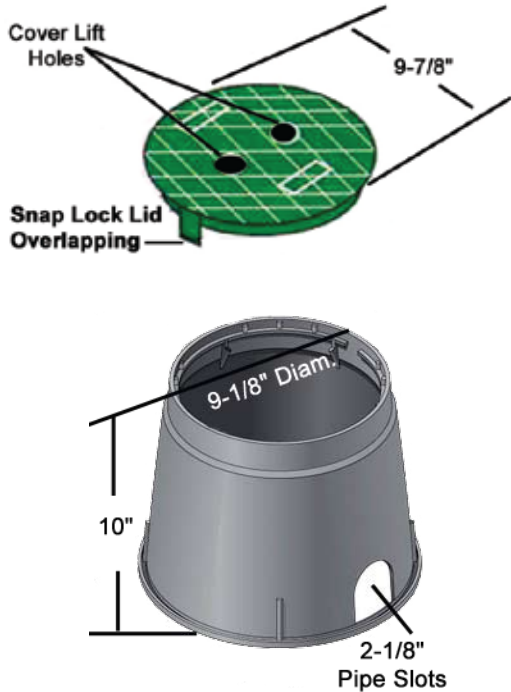
DS109 SPECIFICATION SHEET

DS1100

10" ROUND VALVE BOX

Diamond Valve Box Series

DS1100 SPECIFICATION SHEET



Additional Lid Colors Available Upon Request
Standard Markings: Valve Box
Markings: Water Sewer, ICV, Reclaimed Water

Dimensions	I.D.	O.D.	Height
Lid Top		9-7/8"	2"
Lid Bottom	8-3.4"	9"	
Box Top	9-1/8"	9-5/8"	
Box Bottom	11-5/8"	13-1/4"	
Box Assm.			10"
Pipe Slots	2-1/8"		2-1/2"

Properties	ASTM	Test Value
Tensile Strength at yield	D638	3480 PSI
Density	D792	0.918
Durometer, Shore D	D2240	0.825
Deflection Temperature	D648	200F @ 66PSI
IZOD Impacted Notched at 23C	D256	1.05 ft.lbs/in
IZOD Impacted Unnotched at 18C	D256	5.3 ft.lbs/in

Independent Test Lab Results



Part Number	Description / Markings	Weight	Color Cover / Box	Box Pallet Qty.
DS1100	10" Round Valve Box w/Solid Lid	2.13 lb	Green/Black	99
DS1100B	10" Round Valve Box Body Only	1.14 lb	Black	99
DS1100L	10" Round Solid Lid Only	15.4 oz	Green	Bulk

DS1100 Truckload Qty 3960 pc/20 Pallets

SPECIFICATIONS: Dallas Specialty 10" round valve boxes and lids are injection molded of reprocessed and/or virgin polyolefin materials. Polyolefin Plastic, the Family of Polyolefin's, includes polyethylene, polypropylene, ethylene vinyl acetate ionomers, polybutylene, polyisobutylene, and polymethipentene, " source Rosato's Dictionary". Dyes and other additives are added, along with processing lubricants when needed. The 10" round body is tapered, for nesting purposes. The base of the box has a flange. The 10" box has a 2-1/8" pipe slot for your piping needs. Used mainly with sprinkler system applications, but has many uses for your commercial in ground needs. The DS1100 box may be extended to any depth by use of 10" plastic pipe for extension.

Customized upon request.
All boxes available with special markings,
special colors and custom finished.



DS1100 SPECIFICATION SHEET

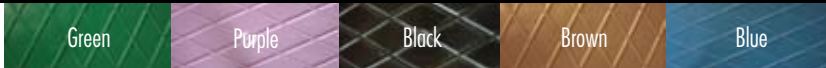
Lawn Irrigation & Waterworks

DS1000

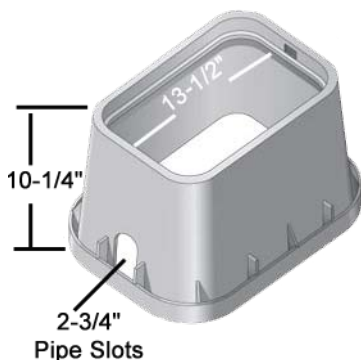
10" RECTANGLE VALVE & METER BOX

Diamond Valve Box Series

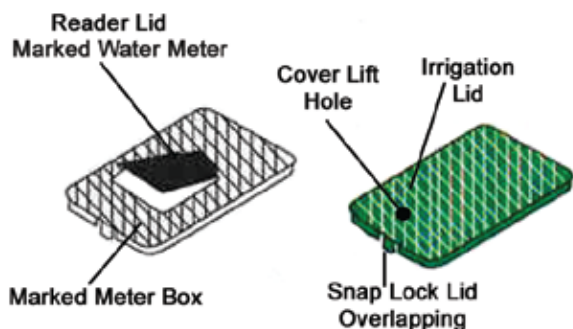
DS1000 SPECIFICATION SHEET



Additional Lid Colors Available Upon Request
Markings: Meter Box, Valve Box, Water, Reclaimed Water, Irrigation, Sewer



Dimensions	I.D.	O.D.	Height
Lid Top		13-1/2 x 8-1/8"	1-3/4"
Lid Bottom	13 x 7-9/16"	13-5/8 x 8-1/8"	
Box Top	13-1/2 x 8-3/8"	15 x 9-3/4"	
Box Bottom	16-1/2 x 11-1/8"	17-3/4 x 12-5/8"	
Box Assm.			10-1/4"
Pipe Slots	2-3/4"		3-1/2"



Properties	ASTM	Test Value
Tensile Strength at yield	D638	3480 PSI
Density	D792	0.918
Durometer, Shore D	D2240	0.825
Deflection Temperature	D648	200F @ 66PSI
IZOD Impacted Notched at 23C	D256	1.05 ft.lbs/in
IZOD Impacted Unnotched at 18C	D256	5.3 ft.lbs/in

Independent Test Lab Results

Body Weight	3.7 lb
Lid Weight	1.8 oz



Part Number	Description / Markings	Color Cover / Box	Box Pallet Qty.
DS1000I	10" Rectangular Valve Box w/Solid Lid	Green/Black	96
DS1000R	10" Rectangular Valve Box Body Only	Black/Black	96
DS1000IL	10" Rectangular Solid Irrigation Lid	Green or Black	Bulk
DS1000RL	10" Rectangular Black Reader Lid Only	Black	Bulk
DS1000B	10" Rectangular Valve Box Body Only	Black	Bulk
DS1000RD	Replacement Door for DS1000 Reader Lid	Black	Bulk

DS1000 Truckload Qty 3840 pc/96 Pallets

SPECIFICATIONS: Dallas Specialty 10" rectangular valve boxes and lids are injection molded of reprocessed and/or virgin polyolefin materials. Polyolefin Plastic, the Family of Polyolefin's, includes polyethylene, polypropylene, ethylene vinyl acetate ionomers, polybutylene, polyisobutylene, and polymethipentene, " source Rosato's Dictionary". Dyes and other additives are added, along with processing lubricants when needed. The 10" rectangular body is tapered, for nesting purposes. The base of the box has a flange. The 10" box has a 2-3/4" pipe slot for your piping needs. Used mainly with sprinkler system applications, but has many uses for your commercial in ground needs. Used for your commercial water meter in ground needs.

Customized upon request.
All boxes available with special markings,
special colors and custom finished.

ds[®]
DALLAS SPECIALTY
& MFG. CO.

DS109 SPECIFICATION SHEET

DS1200

12" RECTANGLE VALVE & METER BOX

Diamond Valve Box Series

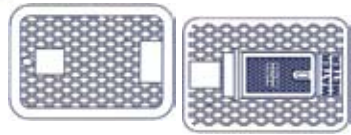
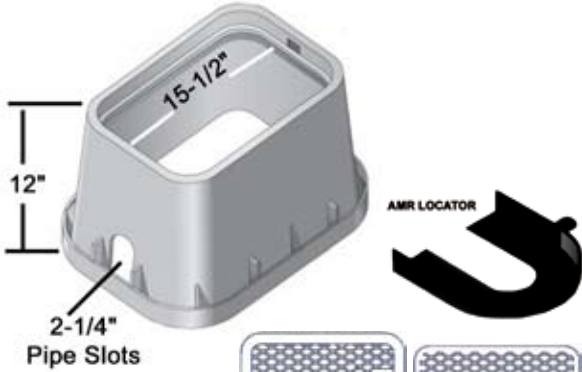
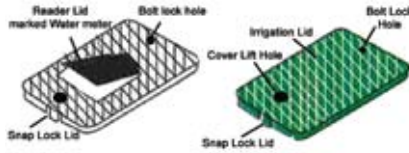


DS1200 SPECIFICATION SHEET

Additional Lid Colors Available Upon Request

Markings: Meter Box, Valve Box, Reclaimed Water, Irrigation, Sewer

Special Markings: ICV, Electrical, Sewer, Water, CESP, CESPT, CESSPE, MEDI POR DE AGUA



Dimensions	O.D.	I.D.	Height
Flush Fit Lid	15-3/8 X 10-1/8"		1-3/4"
Overlapping Lid	16-1/4 x 11"	15-1/2 x 10-1/4"	1-1/2"
Box Top	17-1/8 x 11-7/8"	15-1/2 x 10-1/4"	12"
Box Bottom	21" x 16-5/8"	19-3/8 x 14-5/8"	12"
Pipe Slots		2-1/4"	3-1/2"

Properties	ASTM	Test Value
Tensile Strength at yield	D638	3480 PSI
Density	D792	0.918
Durometer, Shore D	D2240	0.825
Flexural Strength	D790	255,300 PSI
Deflection Temperature	D648	200 F @ 66PSI
IZOD Impacted Notched at 23C	D256	1.05 ft.lbs/in
IZOD Impacted Unnotched at 18C	D256	5.3 ft.lbs/in

Independent Test Lab Results

Body Weight	2.75 lb
Lid Weight	7.25 lb

Cast Iron Lids Now Available
Solid and Reader

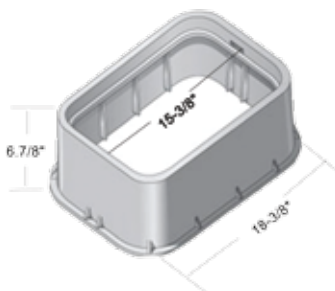


Part Number	Description / Markings	Color Cover / Box	Box Pallet Qty.
DS1200I	12" Rectangle Valve Box w/Solid Lid	Green/Black	72
DS1200R	12" Rectangular Valve Box w/Reader Lid	Black/Black	72
DS1200RO	12" Rectangular Valve Box w/Overlapping Reader	Black	66
DS1200B2	12" Rectangular Dual Outlet Body Only	Black	72
DS1200CIR	12" Rectangular Valve Box w/ Cast Iron Reader	Black/Black	72
DS1200CIRO	12" Rectangular Valve Box w/Overlapping Cast Iron Reader	Black	66
DS1200IL	12" Rectangular Solid Irrigation Lid	Green or Black	Bulk
DS1200RL	12" Rectangular Reader Lid Only	Black	Bulk
DS1200B	12" Rectangular Valve Box Body Only	Black	72
DS1200LCI	12" Rectangular Solid Cast Iron Lid Only	Cast Iron	Bulk
DS1200CIL	12" Rectangular Solid Cast Iron Reader Lid	Cast Iron	Bulk

DS1200 Truckload Qty 2880 pc/40 Pallets

Extension Box for DS1200			
Dimensions	O.D.	I.D.	Height
DS600B Top	16-7/8 x 11-7/8"	15-3/8 x 10-3/8"	6-7/8"
DS600 Bottom	18-3/8 x 13-3/4"	16-7/8" x 12"	6-7/8"
Pipe Slots		2-1/2"	3-7/8"
Extension Weight			4.25 lb

Extension Box



Part Number	Description / Markings	Color Cover / Box	Box Pallet Qty.
DS600EXT	Extension without slots for DS1200	Black	48
DS600B	Body only with slots (can be used as 6" deep meter box)	Black	48

DS109 SPECIFICATION SHEET

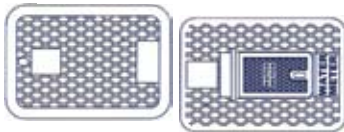
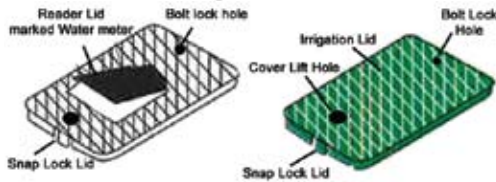
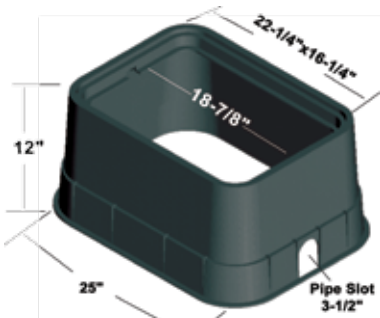
Lawn Irrigation & Waterworks

DS1500

12" JUMBO RECTANGLE METER BOX

Diamond Valve Box Series

DS1500 SPECIFICATION SHEET



Cast Iron Lids Now Available Solid and Reader



Additional Lid Colors Available Upon Request

Markings: Water Meter, ICV

Special Markings: ICV, Electrical, Sewer, Water, Blank

Dimensions	O.D.	I.D.	Height
Flush Fit Lid	20-7/8 x 15"	19-7/8 x 14"	1-1/2"
Box Top	22-1/4 x 16-1/4"	18-7/8 x 13"	12"
Box Bottom	25 x 19-5/8"	23-1/2 x 18"	
Pipe Slots		2-1/2"	3-1/4"

Properties	ASTM	Test Value
Tensile Strength at yield	D638	3480 PSI
Density	D792	0.918
Durometer, Shore D	D2240	0.825
Flexural Strength	D790	255,300 PSI
Deflection Temperature	D648	200 F @ 66PSI
IZOD Impacted Notched at 23C	D256	1.05 ft.lbs/in
IZOD Impacted Unnotched at 18C	D256	5.3 ft.lbs/in

Independent Test Lab Results

Body Weight	4IL
Lid Weight	11.25IL



Part Number	Description / Markings	Color Cover / Box	Box Pallet Qty.
DS1500I	12" Jumbo Rectangle Meter Box w/Solid Lid	Green/Black	32
DS1500R	12" Jumbo Rectangular Meter Box w/Reader Lid	Black/Black	32
DS1500R2	12" Jumbo Rectangular Meter Box w/ Dual Outlet	Black	32
DS1500IB2	12" Jumbo Rectangular Meter Box w/ Solid Black Dual Outlet	Black	32
DS1500CIR	12" Rectanglar Box w/ Cast Iron Reader	Black/Black	32
DS1500CIR2	12" Rectangular Box w/Cast Iron Reader Dual Outlet	Black	32
DS1500I2	12" Rectangular Box w/Solid Lid Dual Outlet		32
DS1500B	12" Rectangular Box Body Only	Black	32
DS1500IBL	12" Rectangular Solid Black Lid Only	Black	Bulk
DS1500LCIRL	12" Rectangular Solid Cast Iron Reader Lid Only		Bulk
DS1500RL	12" Rectangular Black Reader Lid Only	Black	Bulk

Extension Box



Extension Box for DS1500			
Dimensions	O.D.	I.D.	Height
Extension Top	21-3/8 x 15-1/4"	20 x 13-3/4"	
Extension Bottom	23-1/8 x 16-3/4"	22" x 15-5/8"	
Extension Depth			6-7/8"
Extension Weight			4.75 lb

6" Rectangular Box/Also Use as Extension for DS1500
 Box Available with Dual Knockouts/Available with Bolt Down Lid
 Covers Available with Plastic or Iron Reader

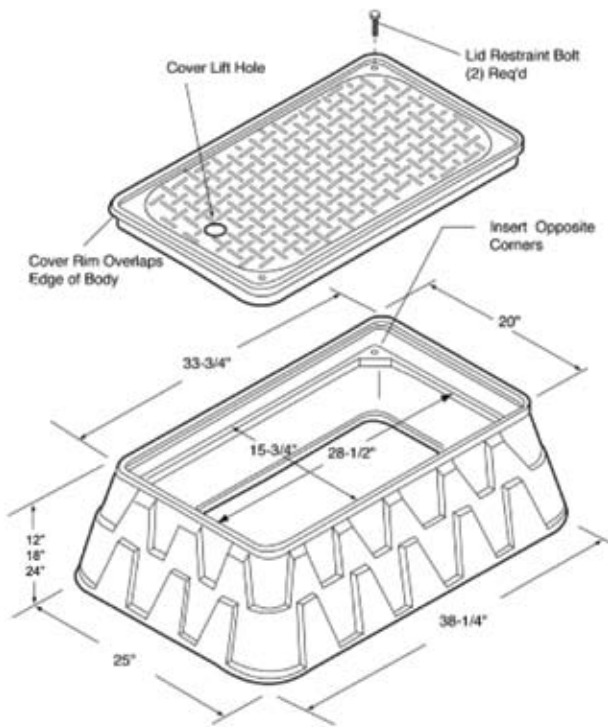
Part Number	Description / Markings	Color Cover / Box	Box Pallet Qty.
DS-750	Extension without slots for DS1500	Black	32

DS1730

15" SUPER JUMBO RECTANGLE METER BOX

Mini Vault

DS1730 SPECIFICATION SHEET



Dimensions	O.D.	I.D.	Height
Flush Fit Lid	29-5/8 x 17"	29-5/8 x 17"	2"
Box Top	32-3/4 x 19-3/4"	27-5/8 x 14-3/4"	12"/18"/24"
Box Bottom	37" x 26-1/4"	34" x 21-1/2"	12"/18"/24"

Part Number	Description / Markings	Color Cover / Box	Box Pallet Qty.
DS1730-12	15" Super Jumbo Rectangular Meter Box 12" Deep		12
DS1730-18	15" Super Jumbo Rectangular Meter Box 18" Deep		12
DS1730-24	15" Super Jumbo Rectangular Meter Box 24" Deep		12

Lawn Irrigation & Waterworks

PVC Ball Valves - Solvent

ASTM D-2466 PW-Potable water IMPORT



Part No.	IPS Size	Type	Case Qty.
2104803 IMP	1/2"	Solvent-Weld	100
2104804 IMP	3/4"	Solvent-Weld	100
2104805 IMP	1"	Solvent-Weld	100
2104806 IMP	1-1/4"	Solvent-Weld	100
2104807 IMP	1-1/2"	Solvent-Weld	48
2104808 IMP	2"	Solvent-Weld	24
2104810 IMP	3"	Solvent-Weld	24

Other Sizes Available

PVC Ball Valves - Threaded

ASTM D-2466 ANSI B2.1 PW-Potable water IMPORT



Part No.	IPS Size	Type	Case Qty.
2103803 IMP	1/2"	Threaded-IPS	100
2103804 IMP	3/4"	Threaded-IPS	100
2103805 IMP	1"	Threaded-IPS	100
2103806 IMP	1-1/4"	Threaded-IPS	100
2103807 IMP	1-1/2"	Threaded-IPS	48
2103808 IMP	2"	Threaded-IPS	24
2103809 IMP	2-1/2"	Threaded-IPS	bulk
2103810 IMP	3"	Threaded-IPS	bulk
2103811 IMP	4"	Threaded-IPS	bulk

Other Sizes Available

PVC Ball Valves - Single Union

ASTM D-2466 IMPORT



Part No.	IPS Size	Type	Case Qty.
107-200	2"	Socket	100

PVC Check Valves - In Line Solvent

Stainless Steel, Spring Loaded - PVC Poppet 150 PSI @72°F IMPORT



Part No.	IPS Size	Type	Case Qty.
105-12	1/2"	Solvent-weld	12
105-34	3/4"	Solvent-weld	12
105-100	1"	Solvent-weld	12
105-114	1-1/4"	Solvent-weld	12
105-112	1-1/2"	Solvent-weld	12
105-200	2"	Solvent-weld	12

PVC Check Valves - In Line Threaded

Stainless Steel, Spring Loaded - PVC Poppet 150 PSI @72°F IMPORT



Part No.	IPS Size	Type	Case Qty.
104-12	1/2"	Threaded-IPS	12
104-34	3/4"	Threaded-IPS	12
104-100	1"	Threaded-IPS	12
104-114	1-1/4"	Threaded-IPS	12
104-112	1-1/2"	Threaded-IPS	12
104-200	2"	Threaded-IPS	12

PVC Compression Repair Couplings

IPS Size For use in cold water piping use on PVC - GALV - Copper IMPORT



Part No.	TPS Size	Case Qty.
100-38	3/8" IPS or 1/2" CTS	18
100-12	1/2" IPS or 3/4" CTS	20
100-34	3/4" IPS or 1" CTS	20
100-100	1" IPS or 1-1/4" CTS	20
100-114	1-1/4" IPS or 1-1/2" CTS	12
100-112	1-1/2" IPS	6
100-200	2" IPS	6
100-212	2-1/2" IPS	1
100-300	3" IPS	1
100-400	4" IPS	1
100-600	6" IPS	1

PVC Compression Tees - Slip Tee

IPS Size - For Use in Cold water piping PVC - GALV - Copper IMPORT



Part No.	IPS Size	Case Qty.
102-12	1/2" IPS COMP x 1/2" SLIP	10
102-34	3/4" IPS COMP x 3/4" SLIP	10
102-100	1" IPS COMP x 1" SLIP W/S.S.	10
102-114	1-1/4" IPS COMP x 1-1/4" SLIP W/S.S.	5
102-112	1-1/2" IPS COMP x 1-1/2" SLIP W/S.S.	5
102-200	2" IPS COMP x 2" SLIP W/S.S.	5

PVC Compression Tees - Threaded Tee

IPS Size - For Use in Cold water piping PVC - GALV - Copper IMPORT



Part No.	TPS Size	Case Qty.
101-12	1/2" IPS COMP x 1/2" FIP	10
101-34	3/4" IPS COMP x 3/4" FIP	10
101-100	1" IPS COMP x 1" FIP W/S.S.	10
101-114	1-1/4" IPS COMP x 1-1/4" FIP W/S.S.	5
101-112	1-1/2" IPS COMP x 1-1/2" FIP W/S.S.	5
101-200	2" IPS COMP x 2" FIP W/S.S.	5

PVC Compression Male Adapters

IPS Size For use in cold water piping Use on PVC - Galv - Copper IMPORT



Part No.	TPS Size	Case Qty.
103-12	1/2" IPS COMP x 1/2" MIP or 3/4" CTS	10
103-34	3/4" IPS COMP x 3/4" MIP or 1" CTS	10
103-100	1" IPS COMP x 1" MIP or 1-1/4" CTS	10
103-114	1-1/4" IPS COMP x 1-1/4" MIP or 1-1/4" CTS	6
103-112	1-1/2" IPS COMP x 1-1/2" MIP	6
103-200	2" IPS COMP x 2" MIP	6

Tile, Shower, Kitchen & Bath

DAL-DRAINS®

Double Seal, 4-Bolt Drain with Adjustable Strainer

FITS OVER 2" OR INSIDE 3" PIPE SOLVENT WELD—4-BOLT DRAIN—FOR CERAMIC TILE SHOWERS OR AS A FLOOR DRAIN



MEETS ASTM D-2665 DD23T PVC



MEETS ASTM D-2661 DD23T ABS



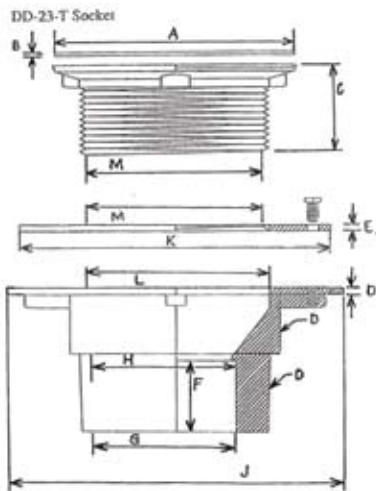
MEETS ASTM D-2665 DD23T SQ PVC



MEETS ASTM D-2661 DD23T SQ ABS



GRATES



INSTALLATION INSTRUCTIONS CATALOG PAGE-38

Part No.	Description	Case/Qty.
PVC		
DD23T PVC	2" OR 3" DRAIN W/ ROUND SS GRATE	18
DD23T PVC S	2" OR 3" DRAIN W/ ROUND SS SCREW GRATE	18

ADDITIONAL DRAIN PARTS & ACCESSORIES CATALOG PG-36

DRAIN EXTENSIONS AVAILABLE DD2-23T-EXT PAGE-36

Part No.	Description	Case/Qty.
ABS		
DD23T ABS	2" OR 3" DRAIN W/ ROUND SS GRATE	18
DD23T ABS S	2" OR 3" DRAIN W/ ROUND SS SCREW GRATE	18

Part No.	Description	Case/Qty.
PVC		
DD23T SQ PVC	2" OR 3" DRAIN W/ SQUARE SS GRATE	18

ADDITIONAL DRAIN PARTS & ACCESSORIES CATALOG PG-36

DRAIN EXTENSIONS AVAILABLE DD2-23T-EXT PAGE-36

Part No.	Description	Case/Qty.
ABS		
DD23T SQ ABS	2" OR 3" DRAIN W/ SQUARE SS GRATE	18

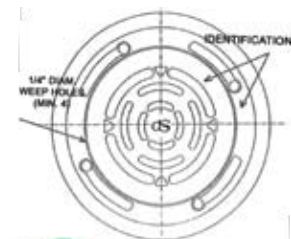
Part No.	Description	Case/Qty.
PVC		
SS G	STAINLESS STEEL	BULK
SS G SQ	SQUARE STAINLESS STEEL	BULK
PB G	POLISH BRASS	BULK
PB G SQ	SQUARE POLISH BRASS	BULK
SSG	SCREW STAINLESS STEEL	BULK
SSG SCREW	STAINLESS STEEL WITH SCREW	BULK
WM G	WHITE METAL	BULK
WM G SQ	WHITE METAL SQUARE	BULK
PN G	PEARL NICKEL	BULK
SN G	SATIN NICKEL	BULK
SN SQG	SATIN NICKLE SQUARE	BULK
AB G	ANTIQUE BRASS	BULK
OILRUBB G	OIL RUBBED BRONZE	BULK
OILRUBB SQG	OILRUBBED BRONZE SQUARE	BULK
PLS G PVC	HEAVY WHITE PLASTIC	BULK

ALL GRATES FIT ALL DALLAS SPECIALTY DRAINS

DRAIN EXTENSIONS AVAILABLE DD2-23T-EXT PAGE-36

DRAIN SPECIFICATIONS			
A	4-1/4"	G	2.390"
B	0.050	H	2.370"
C	2"	I	6-1/2"
D	.152" - .256"	J	5-15/16"
E	.253" - .285"	K	3-1/8"
F	1-1/16"	L	3.14 SQ IN

SPECIFICATIONS: STAINLESS STEEL BOLTS, BRASS INSERTS, STAINLESS STEEL GRATES.



FITS OVER 2" CAST IRON, PVC, ABS, OR STEEL, ALSO FITS INSIDE 4" PVC PIPE WITHOUT GASKET

SNAP IN GRATE STANDARD, SPECIFY SCREW TYPE GRATE FOR CERAMIC TILE OR MARBLE SHOWERS

ASSEMBLED WITH GASKET #DSG-210



MEETS ASTM D-2665

DD2T PVC WITH DSG-210 GASKET



MEETS ASTM D-2661

DD2T ABS WITH DSG-210 GASKET



MEETS ASTM D-2665

DD2T SQ PVC WITH DSG-210 GASKET

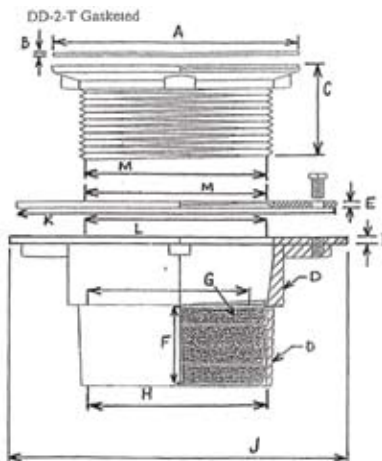


MEETS ASTM D-2661

DD2T SQ ABS WITH DSG-210 GASKET



DECORATIVE GRATES



INSTALLATION INSTRUCTIONS CATALOG PAGE-38

Part No.	Description	Case/Qty.
PVC		
DD2T PVC	2" C.I. / PVC / ABS WITH ROUND S.S. GRATE	18
DD2T PVC S	2" C.I. / PVC / ABS WITH S.S. SCREW GRATE	18

**ALSO FITS INSIDE 4" PVC WITHOUT GASKET
GASKETS AVAILABLE TO FIT 1-1/2" PVC/IPS & 2" COPPER
FOR 2" COOPER USE #DSG-2COP GASKET**

Part No.	Description	Case/Qty.
ABS		
DD2T ABS	2" ABS WITH ROUND STAINLESS STEEL GRATE	18
DD2T ABS S	2" ABS WITH STAINLESS STEEL SCREW GRATE	18

Part No.	Description	Case/Qty.
PVC		
DD2T SQ PVC	2" C.I. / PVC / ABS WITH SQUARE S.S. GRATE	18

Part No.	Description	Case/Qty.
ABS		
DD2T SQ ABS	2" C.I. / PVC / ABS WITH SQUARE S.S. GRATE	18

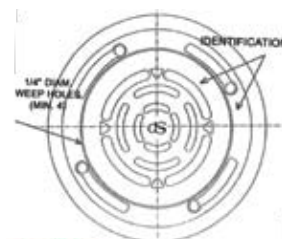
Part No.	Description	Case/Qty.
PVC		
SS G	STAINLESS STEEL	BULK
SS G SQ	SQUARE STAINLESS STEEL	BULK
PB G	POLISH BRASS	BULK
PB G SQ	SQUARE POLISH BRASS	BULK
SSG	SCREW STAINLESS STEEL	BULK
WM G	WHITE METAL	BULK
WM G SQ	WHITE METAL SQUARE	BULK
PN G	PEARL NICKEL	BULK
SN G	SATIN NICKEL	BULK
SN SQG	SATIN NICKLE SQUARE	BULK
AB G	ANTIQUE BRASS	BULK
OILRUBB G	OIL RUBBED BRONZE	BULK
OILRUBB SQG	OILRUBBED BRONZE SQUARE	BULK
PLS G PVC	HEAVY WHITE PLASTIC	BULK

ALL GRATES FIL ALL DALLAS SPECIALTY DRAINS

ADDITIONAL DRAIN PARTS & ACCESSORIES CATALOG PAGE-36

DRAIN SPECIFICATIONS			
A	4-1/4"	G	2" GSK. (IPS)
B	0.050	H	3-3/16"
C	2"	I	7"
D	.254" - .450"	J	6"
E	.266"	K	3-1/8"
F	1-3/8"	L	3.14 SQ IN

SPECIFICATIONS: STAINLESS STEEL BOLTS, BRASS INSERTS, STAINLESS STEEL GRATES.



Tile, Shower, Kitchen & Bath

DaL-DRAIN[®] Plastic No-Caulk Shower Receptor Drain

FITS OVER 2" PVC OR ABS PIPE FOR ONE PIECE FIBERGLASS STALLS OR FLOOR UNIT WITH SNAP IN GRATE AND GASKET

ASSEMBLED WITH GASKET #DSG-200



MEETS ASTM D-2665



DD2 S PVC WITH DSG-200 GASKET



MEETS ASTM D-2661



DD2 S ABS WITH DSG-200 GASKET



MEETS ASTM D-2665



DD2 S SOLVENT-WELD PVC



MEETS ASTM D-2661



DD2 S SOLVENT-WELD ABS

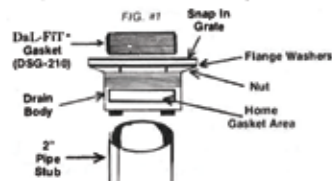


DECORATIVE GRATES

DaL-Drain[®] Part No. DD-2-S FOR SHOWER RECEPTORS OR ONE PIECE FIBERGLASS STALLS.

FIG. #1 (No-Caulk Shower Drain)

1. Attach Drain Body to the base of unit. Do not tighten Lock-Nut excessively.
2. Use silicone on Flange. (Do not use any oil base products on Flange.)
3. Use gasket lube (non mineral oil or linseed) or Hand Cleaner to lubricate Gasket.
4. With grooves of Gasket face up, drive Gasket home with 2" cut Pipe Stub with internal cutter at top of Gasket, if your mea Pipe Stub is off. Leave no fouling area.



INSTALLATION INSTRUCTIONS CATALOG PAGE-38

Part No.	Description	Case/Qty.
PVC		
DD2 S PVC	GASKETED 2" DRAIN WITH STAINLESS STEEL GRATE	75

ADDITIONAL DRAIN PARTS & ACCESSORIES CATALOG PG-36

Part No.	Description	Case/Qty.
ABS		
DD2 S ABS	GASKETED 2" DRAIN WITH STAINLESS STEEL GRATE	75

Part No.	Description	Case/Qty.
PVC		
DD2 S SOL PVC	2" SOLVENT-WELD WITH STAINLESS STEEL GRATE	75

ADDITIONAL DRAIN PARTS & ACCESSORIES CATALOG PG-36

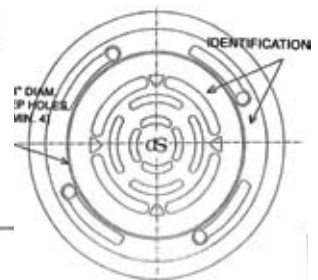
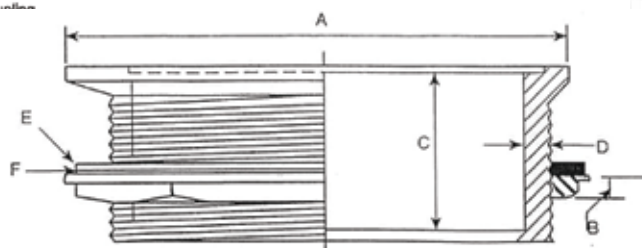
Part No.	Description	Case/Qty.
ABS		
DD2 SOL ABS	2" SOLVENT-WELD ABS WITH STAINLESS STEEL GRATE	75

Part No.	Description	Case/Qty.
PVC		
SS G	STAINLESS STEEL	BULK
SS G SQ	SQUARE STAINLESS STEEL	BULK
PB G	POLISH BRASS	BULK
PB G SQ	SQUARE POLISH BRASS	BULK
SSG	SCREW STAINLESS STEEL	BULK
WM G	WHITE METAL	BULK
WM G SQ	WHITE METAL SQUARE	BULK
PN G	PEARL NICKEL	BULK
SN G	SATIN NICKEL	BULK
SN SQG	SATIN NICKLE SQUARE	BULK
AB G	ANTIQUE BRASS	BULK
OILRUBB G	OIL RUBBED BRONZE	BULK
OILRUBB SQG	OILRUBBED BRONZE SQUARE	BULK
PLS G PVC	HEAVY WHITE PLASTIC	BULK

ALL GRATES FIT ALL DALLAS SPECIALTY DRAINS

ADDITIONAL DRAIN PARTS & ACCESSORIES CATALOG PAGE-36

DRAIN SPECIFICATIONS			
A	4-1/8"	D	Wall Thickness 0.100"
B	0.595	E	Sealing Washer 1/8" 4-1/4"
C	2-1/2"	F	Friction Washer 0.40" 4-1/4"



GLUES OVER 2" OR INSIDE 3" PIPE FLOOR DRAIN



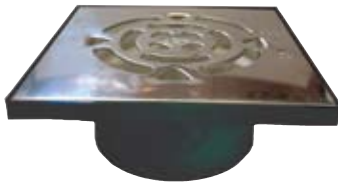
DDGP23 PVC



DDGP23 ABS



DDGP23 SQUARE PVC



DDGP23 SQUARE ABS



DECORATIVE GRATES

Part No.	Description	Case/Qty.
PVC		
DDGP23 PVC	GLUES OVER 2" PVC OR INSIDE 3" PVC/ROUND GRATE	36

ADDITIONAL DRAIN PARTS & ACCESSORIES CATALOG PG-36

Part No.	Description	Case/Qty.
ABS		
DDGP23 ABS	GLUES OVER 2" ABS OR INSIDE 3" ABS/ROUND GRATE	36

Part No.	Description	Case/Qty.
PVC		
DDGP23 SQ PVC	GLUES OVER 2" PVC OR INSIDE 3" PVC/SQUARE GRATE	36

ADDITIONAL DRAIN PARTS & ACCESSORIES CATALOG PG-36

Part No.	Description	Case/Qty.
ABS		
DDGP23 SQ ABS	GLUES OVER 2" ABS OR INSIDE 3" ABS/SQUARE GRATE	36

Part No.	Description	Case/Qty.
PVC		
SS G	STAINLESS STEEL	BULK
SS G SQ	SQUARE STAINLESS STEEL	BULK
PB G	POLISH BRASS	BULK
PB G SQ	SQUARE POLISH BRASS	BULK
SSG	SCREW STAINLESS STEEL	BULK
WM G	WHITE METAL	BULK
WM G SQ	WHITE METAL SQUARE	BULK
PN G	PEARL NICKEL	BULK
SN G	SATIN NICKEL	BULK
SN SQG	SATIN NICKLE SQUARE	BULK
AB G	ANTIQUE BRASS	BULK
OILRUBB G	OIL RUBBED BRONZE	BULK
OILRUBB SQG	OILRUBBED BRONZE SQUARE	BULK
PLS G PVC	HEAVY WHITE PLASTIC	BULK

**ALL GRATES FIT ALL DALLAS SPECIALTY DRAINS
ADDITIONAL DRAIN PARTS & ACCESSORIES CATALOG PAGE-36**

Tile, Shower, Kitchen & Bath

DAL-DRAIN[®]

Brass No-Caulk Gasketed Shower Drain

**BRASS EQUIVALENT TO THE DD2S DRAIN
FITS OVER 2" CI/PVC/ABS WITH SNAP-IN GRATE
ASSEMBLED WITH GRATE**



Part No.	Description	Case/Qty.
DS17101	GASKETED 2" BRASS DRAIN WITH S.S. GRATE	36

DAL-DRAIN[®]

Accessories



ADJUSTABLE REPLACEMENT STRAINER

Part No.	Description	Fits Drain	Case/Qty.
ADJ SG	ROUND TOP W / S.S. GRATE	DD2T & DD23T	BULK
ADJ S	ROUND TOP WITHOUT GRATE	DD2T & DD23T	BULK
ADJ SG SQ	SQUARE TOP 2" UNIVERSAL STRAINER	UNIVERSAL	BULK
ADJ SG SQ3	SQUARE TOP 3" WITH GRATE	DD2T & DD23T	BULK



GASKETS

Part No.	Description	Fits Drain	Case/Qty.
DSG-2/125	2 X 1-1/4" C.I. / PVC	DD2T	BULK
DSG-200	2" IPS	DD2S	BULK
DSG-210	2" IPS	DD2T	BULK
DSG-215	1-1/2" IPS	DD2T	BULK
DSG-2 COP	2" COPPER	DD2T	BULK
DSG-200 COP	2" COPPER	DD2S	BULK



DRAIN EXTENSION

Part No.	Description	Case/Qty.
DD2-23T-EXT	DRAIN EXTENSION FOR DD2 T AND DD23T	1



EXTEND-A-DRAIN

Part No.	Description	Case/Qty.
FOR RAISING DRAIN HEIGHTS BY 1/4" TO 1/2" / CENTER TO CENTER SCREW HOLES		
DS2375	2-3/8" EXTENSION KIT	6
DS2500	2-1/2" EXTENSION KIT	6
DS2625	2-5/8" EXTENSION KIT	6
DS3375	3-3/8" EXTENSION KIT	6
DS4375	4-3/8" EXTENSION KIT	6



REPLACEMENT WASHERS

Part No.	Description	Case/Qty.
WS2	FOR DD2S NO CAULK DRAIN	BULK

DAL-DRAINS

2"/3" PVC OR ABS HEAVY DUTY SHOWER OR FLOOR DRAIN

Fits Over 2" Schd. 40 DWV Pipe Fits Inside 3" Schd. 40 DWV Pipe

"NEW DRAIN" For THIN Set Applications (Low Profile)

This drain can be used in thin set (Low Profile Applications) or in thick mortar bed applications.

The Square Grate will adjust approx. 3/8" in any horizontal direction and bolted down in that position. Drain body is 1-1/2" wide.



Part No.	Description	Case/Qty.
PVC DD23THDSQPVC	2"/3" PVC or ABS Heavy Duty Shower or Floor Drain	4

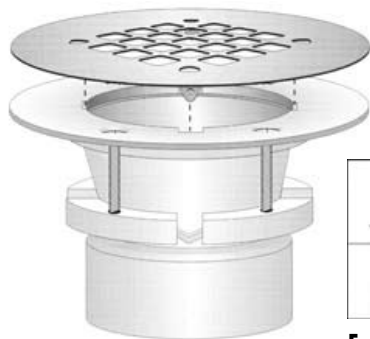


Part No.	Description	Case/Qty.
ABS DD23THDSQABS	2"/3" PVC or ABS Heavy Duty Shower or Floor Drain	4

Fits Over 2" Schd. 40 DWV Pipe "NEW DRAIN" 2" Pull Tight Shower Drain

Allows for extremely easy one-person shower drain installation

NOTE: Use to replace old drain without removing the old fiberglass base.



For fiberglass shower bases, etc.

Part No.	Description	Case/Qty.
PVC DSSH200P	Fits 2" Sch 40 PVC And ABS Pipe/Pull Tight Design	24
ABS DSSH200A	Fits 2" Sch 40 PVC And ABS Pipe/Pull Tight Design	24

2"/3" PVC or ABS Heavy Duty "NEW DRAIN" C.P. CAST BRASS STRAINER FOR HIGH TRAFFIC AREAS



Part No.	Description	Case/Qty.
DD23TCPB	2"/3" PVC or ABS Heavy Duty	4

MORTAR DRAINS

U.S. PATENT #5,216,767

Mortar Drain is a porous filter designed to protect the weep holes located in the clamping ring collar of the floor drain. The filter keeps the weep holes and collar surface clear of mortar. The porosity of the filter keeps the weep holes and collar surface clear of mortar while allowing rapid water flow through.

Notice: This filter is not a water proof device. In no event should the seller or the manufacturer of this filter be liable for any damages caused by a leaking shower.



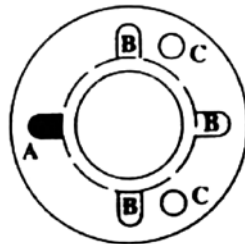
- Installs over weep holes on shower drain
- Porosity promotes flow to weep holes
- Protects weep holes from mortar clog

Part No.	Description	Case Qty
UNIV-1	Mortar Drain	50
DS62	Mortar Drain for DaL-Drains (DD2T, DD23T)	50

MOLD PREVENTATIVE DEVICE

Model UNIV 1 (Universal Model) Fits most shower drains

- A. Bolt hole "A" is used with all drains.
- B. For drains with 4 bolts, remove A and B holes.
- C. For drain with 3 bolts remove A and C holes.
- D. For drains with larger diameter necks, tear out the inner radius (circle).



Installation Instructions: Lay the Mortar Drain filter over the "TOP" of the floor drain clamping ring collar. (ON THE TOP OF THE WEEP HOLES). The filter should lay flat over the clamping ring, fitting around any bolt heads that might be located on the top of the collar.

WARNING: Do not install filter underneath clamping ring, this will cause the shower to leak.

Follow all recommended procedures for placement of a shower floor mortar bed in the Tile Council of America handbook and Uniform Plumbing Code Standard IS-4. Mortar installer should be experienced in installation of mortar beds, drains, and shower floors. A minimum of one and one-half inches of compacted reinforced mortar should be placed over the Mortar Drain. Failure to follow these procedures could result in an ineffective installation or weak mortar bed. NOTE: Because the installation of the mortar bed and floor is beyond our control, we will not be responsible for results obtained.

THE UNIFORM PLUMBING CODE LABEL **UPC** IS A REGISTERED TRADEMARK OF THE INTERNATIONAL ASSOCIATION OF PLUMBING AND MECHANICAL OFFICIALS, (IAPMO). **MORTAR DRAIN** HAS BEEN TESTED TO EXCEED THE IAPMO REQUIREMENTS FOR "POROUS FILTER PROTECTION FOR SUB-DRAIN WEEP HOLES" AND IS A LISTED PRODUCT WITH IAPMO.

LIMITED WARRANTY

Since the installation of this product is beyond the control of the manufacturer and the seller, the liability of the manufacturer and sellers shall be limited to replacement of the product. The manufacturer warrants that the "Mortar Drain" is manufactured free of defects in material and workmanship. DUE TO THE VARYING CONDITIONS UNDER WHICH THIS PRODUCT IS USED OR INSTALLED, THE MANUFACTURER OFFERS NO WARRANTY AS TO THE LENGTH OF SERVICE OR SUITABILITY FOR ANY PARTICULAR PURPOSE, OF MERCHANTABILITY OR ANY OTHER WARRANTY, WHETHER EXPRESSED OR IMPLIED, ORAL OR WRITTEN, IN NO EVENT SHALL DALLAS SPECIALTY BE LIABLE FOR INCIDENTAL, INDIRECT, SPECIAL OR CONSEQUENTIAL DAMAGES. WHETHER DUE TO BREACH OF WARRANTY, CONTRACT OR NEGLIGENCE. Any action for breach must be brought within 30 days of delivery. The manufacturer retains the right to make changes or improvements to the product from time to time.

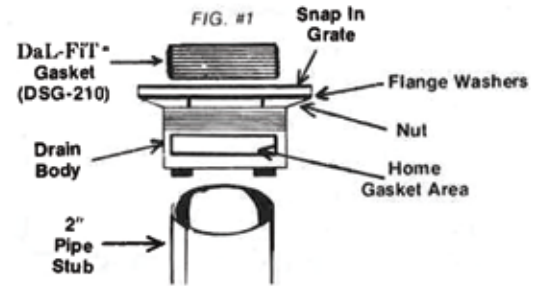
Tile, Shower, Kitchen & Bath

Installation Instructions for DaL - DrainS

DD2S

For Shower receptions or one piece fiberglass stalls. Part No. DD2S

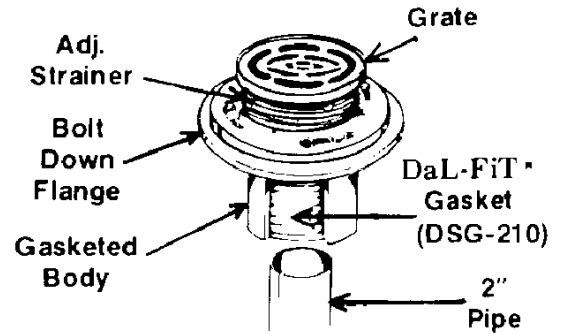
1. Attach drain body to the base of the unit. Do not tighten Lock-Nut excessively.
2. Use silicone on flange. (Do not use any oil base products on flange.)
3. Use gasket lube (non mineral oil or linseed) or hand cleaner to lubricate gasket.
4. With grooves of gasket face up, drive gasket home with 2" coupling.
Cut Pipe stub with internal cutter at top of gasket, if you measured pipe stub is off.
Leave no fouling area.



DD2T

For Ceramic tile or marble showers, etc. Part No. DD2T

1. Remove Adj. strainer and bolt down flange from drain body.
Lubricate gasket without removing and push over 2" pipe stub.
2. Use drain body as cutting template for plastic or metal pan material.
(center hole and 4 bolt holes)
3. Use DS bonding fluid or silicone to seal between drain body and pan liner. (use DS bonding fluid on PVC or ABS drains)
4. Place bolt down flange over pan material and both down.
Now screw in adj. strainer to desired height. Use our strainer cover to keep debris out of drain during construction.
5. Make sure that pipe stub is even with top of gasket to prevent a fouling area.
Cut if necessary with internal cutter.



DD23T

For Ceramic tile or marble showers, etc. Part No. DD23-T PVC or ABS

1. Remove adj. strainer and bolt down flange from drain body.
Solvent-weld over 2" PVC or ABS pipe or inside 3" pipe.
2. Use drain body as cutting template for plastic or metal pan material.
(center hole and 4 bolt holes)
3. Use DS bonding fluid or silicone to seal between drain body and pan liner.
Use silicone on metal pans. Use DS bonding fluid on PVC or ABS drains.
4. Place bolt down flange over pan material and both down. Now screw in adj. strainer to desired height. Use our strainer cover to keep debris out of drain during construction.



LIMITED WARRANTY

As the use of this product is beyond the control of the seller, liability of the sellers shall be limited to replacement of product. Dallas Speciality warrants that their products are manufactured free of defects in material and workmanship. The limit of Dallas Speciality liability for failure of any of the products to meet foregoing warrants or for any breach of any other warranty, express, implied or statutory shall be to supply an equivalent amount of products returned to it and found by Dallas Speciality to be defective. DUE TO THE WIDELY VARYING CONDITIONS UNDER WHICH OUR PRODUCTS ARE USED OR INSTALLED, DALLAS SPECIALITY OFFERS NO WARRANTY AS THE THE LENGTH OR SERVICE SUITABILITY FOR ANY PARTICULAR PURPOSE OF THE PRODUCTS. IN NO EVENT SHALL DALLAS SPECIALITY BE LIABLE FOR INCIDENTAL OR CONSEQUENTIAL DAMAGES OR INJURY. Any action for breach of warranty must be brought within 30 days of delivery. DALLAS SPECIALITY retains the right to make changes or improvements from time to time in the products.

Call 1-800-222-5644
www.dallasspecialty.com

"We're Flexible"

Dal-Flanges

PUSH & SHUV Repair Closet Flange



Meets ASTM DS2665



Part No.	Description	Carton Qty.
DSCF241P	4" fits inside 4" PVC, ABS, C.I. lead pipe	25
DSCF241A	4" fits inside 4" ABS	25
DSCF401P	4" fits inside 4" C.I. HUB S.V.	25
DSCF401PMR	4" fits inside 4" C.I. HUB S.V. w/metal ring	25

Coming Soon

DSCF241PMR fits inside 4" PVC, ABS, C.I., & Lead w/ metal ring

Extended Length Closet Flange



Part No.	Description	Case/Qty.
DSIF333P	3" PVC welds inside pipe (long style)	12
DSIF333A	3" ABS welds inside pipe	12
DSGF340P	3" x 4" PVC welds over 3" or inside 4"	12
DSGF340A	3" x 4" ABS welds over 3" or inside 4"	12

Dal-Flange

Flush type PVC/ABS/Closet



Part No.	Description	Case/Qty.
FF34 PVC	3" or 4" L/stop, fits over 3" inside 4"	25
FF34 KO PVC	3" or 4" w/K.O., fits over 3" inside 4"	25
FF34 S PVC	3" or 4" w/stops, fits over 3" inside 4"	25
FF34 ABS	3" or 4" L/stop, fits over 3" inside 4"	25
FF34 KO ABS	3" or 4" w/stop, fits over 3" inside 4"	25
FF3 PVC	3" inside pipe	25
FF3 ABS	3" inside pipe	25
FF3 KO PVC	3" inside pipe	25
FF3 KO ABS	3" inside pipe	25

O'Ring Push Flange

Fits inside 3"
PVC/Cast Iron



Part No.	Description	Case/Qty.
DSMH350P	3" PVC O'Ring inside 3" PVC/C.I.	12
DSMH350A	3" ABS O'Ring inside 3" PVC/C.I.	12

Adjustable Metal Ring Flush Type Closet Flange

Fits over 3" or
inside 4" pipe



Meets ASTM DS2665



Part No.	Description	Case/Qty.
AFF34 M PVC	3" or 4" less stop	25
AFF34 MKO PVC	3" or 4" w/ knock out	25
AFF34 SM PVC	3" or 4" less stop w/ stainless steel ring	25
AFF34SSMKO	PVC 3' or 4" w/knock out & stain. steel ring	25
AFF34 MABS	ABS 3' or 4" w/knock out & stain. steel ring	25
AFF34 MKOABS	ABS 3' or 4" w/knock out & metal ring	25

Note: Painted rings scratch easily & rust through. Superior Galvanized Flange are featured on all products above to prevent both.

Adjustable Offset Metal Ring Closet Flange

Fits over 3" or
inside 4" pipe



Meets ASTM DS2665

Part No.	Description	Case/Qty.
AMR OS34 PVC	3" or 4" offset w/ adj. metal ring	25
AMR OS34 ABS	3" or 4" offset w/ adj. metal ring	25

Street Compression Closet Flange

Fits inside 4" PVC or ABS
or Cast Iron



Part No.	Description	Case/Qty.
DSGH9504P	4" PVC inside PVC or C.I.	12
DSGH9504A	4" ABS inside ABS or C.I.	12

St. 45° Closet Flange with adjustable metal ring

Not Available... Coming Soon!



Part No.	Description	Case/Qty.
AMR 345 PVC	3" ST. 45° w/ adj. metal ring	25
AMR 345 SSPVC	3" ST. 45° w/ adj. SS metal ring	25
AMR 345 KOPVC	3" ST. 45° w/ adj. metal ring W/KO	25
AMR 345 SSKOPVC	3" ST. 45° w/ adj. SS metal ring W/KO	25

ABS Available Upon Request

FLANGE ACCESSORIES

1/4" Closet Flange Extension

Stackable. For use when closet flange needs extended for tile flooring. (use with extension bolts)



Part No.	Description	Case/Qty.
DSCF250P	4" white extension flange	Bulk
DSCF250A	4" black extension flange	Bulk
DSCF350P	4" PVC extension flange	24/Box

Note: Seal extension flange first with silicone. (can be used on C.I.)

Closet Flange Extension Stackable Kits

For PVC/ABS/C.I.
Kit includes 2 or 3
extensions,
1-1/4" x 3-1/2"
closet bolt sets



Part No.	Description	Case/Qty.
DSCF300 P	(3) 1/4" extensions and (2) 3-1/2" closet bolt sets	12
DSCF100 P	(2) 1/4" extensions and (2) 2-1/2" closet bolt sets	12

Quik-Fix Floor and Flange Support



Part No.	Description	Case/Qty.
DS29000	Zinc Finish, fits all plastic closet flanges	12
DS29010	Black Finish, fits 4" cast iron	12

Spacer Flange



Part No.	Description	Case/Qty.
DSSF-100		BULK/200

Galvanized Dal-Flange Kit



Part No.	Size	Case/Qty.
DF-34	4"	18 in box

Tile, Shower, Kitchen & Bath

Perma-Gard® - PVC Shower Pan Liner - Vinyl Bladder

- Perma-Gard is a flexible polyvinyl chloride (PVC) sheet liner. Color is grey. Perma-Gard is continuously marked on the roll and lined every 6 inches.
- Perma-Gard PVC shower pan liner will not rust, rot, or decay under normal and recommended conditions for the life of the installations. Perma-Gard is not recommended for continuous exposure to the sun environment.
- No underlayment required when using 40 mil.
- Meets FHA and HUD requirements for shower pans and ASTM D- 4551 Requirements
- Not compatible with tar based products or tar paper felt.

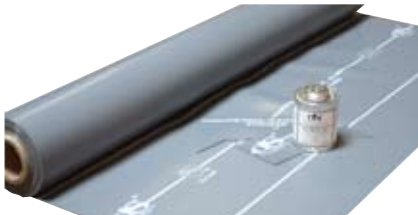


IPC®
IRC®

Code listings
Tested to ASTM D-4551/Complies



40 mil PVC Perma-Gard Shower Pan Liner Vinyl Bladder



Part No.	Size (width x linear)	Square Feet/Roll
PVC40-450	4' x 50'	200'/roll
PVC40-4100	4' x 100'	400'/roll
PVC40-540	5' x 40'	200'/roll
PVC40-5100	5' x 100'	500'/roll
PVC40-580	5 x 80"	400'/roll
PVC40-650	6' x 50'	300'/roll
PVC40-6100	6' x 100'	600'/roll

Shower Pan Liner Accessories



Part No.	Size (width x linear)	Square Feet/Roll
249	Bonding Fluid (cement for Perma-Gard)	12 per case
PVC-C	Preformed Corners (outside)	Bulk
PVCIC	Inside Corners	Bulk
PVC40-DVD	Installation DVD	1
LINER BRACKET	Shower Pan Liner Bracket	1

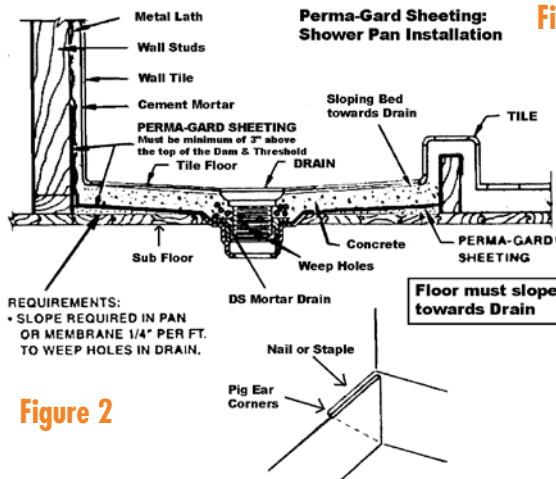
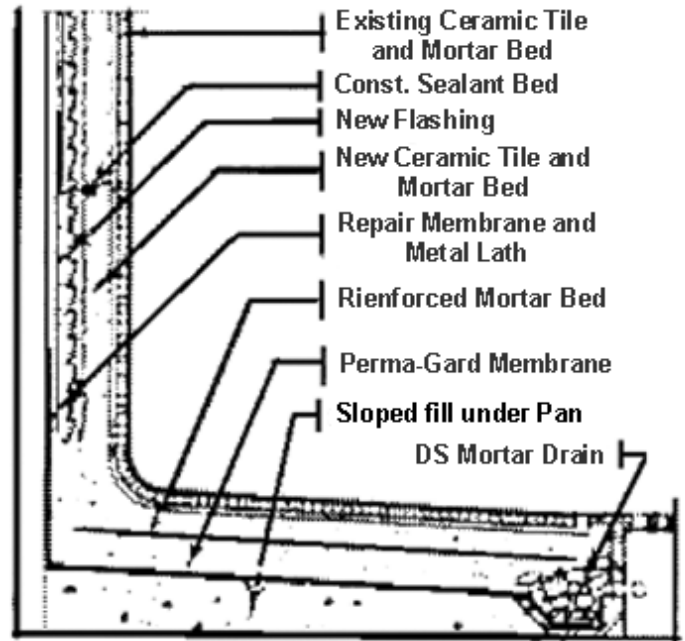


Figure 2

Test Specification: ASTM D-4551

Property:	Test Results	Test Method
Thickness	40 mil. 0.040	ASTM D-374
(Tensile Strength lbs./in.)	40 mil. 108 lbs. (2700 PSI)	ASTM D-412
Elogation	40 mil. 13.3 lbs. (400% +)	ASTM D-1004
Pinholes	40 mil. Zero (passed)	ASTM D4551-11-3
Resistance	40 mil. No Growth	ASTM D4551-A1
Hydrostatic Pressure	40 mil. No Rupture	ASTM D4551-A2
Indentation Resistance	40 mil. No Leakage	ASTM D4551-A5
Folding Resistance	40 mil. No Rupture	ASTM D4551-A3
Chemical Resistance	40 mil. No Rupture	ASTM D4551-A4
Alkali Resistance	40 mil. Passed	ASTM D4551-A4
Shrinkage	40 mil. No Leaks	
Volatle Loss	40 mil. Passed + 5%	ASTM D-1204
	40 mil. Passed	ASTM D-1203

Tile Shower Renovation Instructions



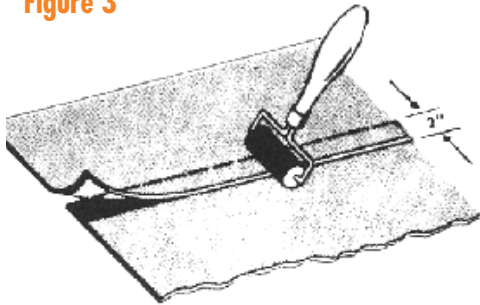
Recommended Uses: Over wood or concrete subfloors, where old shower-pan has failed.

Requirements:

- Remove existing shower receptor, water-proof membrane and wall tile as required to install new waterproof membrane.
- Replace any damaged wall or floor substrate materials.
- Slope required in new membrane 1/4" per foot to weep holes in drain.
- New membrane to turn up wall at least 3" above shower curb.
- Use Dallas Speciality Mortar Drain over weep holes.

Application Instructions for PVC Shower Pan Liner and Safe Pan Membranes

Figure 3



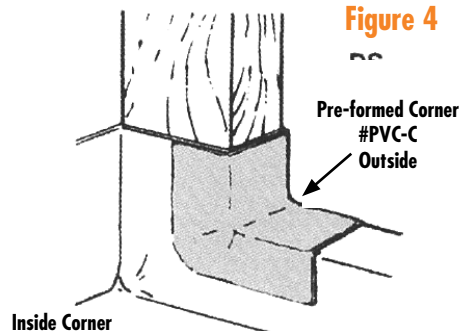
Do NOT Use...

- on Pan Liner
- or with the following:
- Butyle Rubber Caulk
- Tar Paper
- Roofing Felt
- Oil Base Caulks
- Any Oils

OKAY To Use...

- Pure Silicone Caulk
- or DS Bonding Fluid

Figure 4



Installation

- a) Sweep the floor broom-clean. Make certain all sharp objects are removed and nails in sub-flooring are firmly driven flush. The sub-floor must be smooth, free of holes, cracks, splinters or sharp projections.
- b) If the wood sub-floor is uneven, place one or two layers of 15 pound felt (dry) over it to provide a smooth base for the **Perma-Gard** Sheeting (not needed over smooth plywood or concrete w/40 mil. UPC requires a 15# Roofing Felt underlayment in all situations with 30 mil. **WARNING: DO NOT USE TAR PAPERS.**)
- c) Line the shower floor or pan with **Perma-Gard** sheeting brand plastic waterproofing membrane. Turn the sheet up all side walls at least 6" above finished floor level. A slope of 1/4" per ft. is required (Mortar) under the shower pan before the pan liner is installed. (see Figure 1)
- d) Fold corners (do not cut) against the upstand by making a pig ear fold. Nail or staple 1/2 inch from the upper edge to hold it in place. (see Figure 2) Where metal stubs or framing are used, duct tape may be used to secure.
- e) Where no backing is provided between the studs, the slack may be taken up by pleating and stapling or nailing to the studding 1/2" from the upper edge.
- f) To adhere **Perma-Gard** sheeting to vertical surfaces, coat the back of the sheet and the surface to which it will be applied with adhesive. Allow the adhesive to become dry to the touch (5-10 minutes) and press the sheet into place.

Welding

- DS Bonding Fluid provides a fast, effective weld which is permanently waterproof for larger areas. A properly made joint is effective in 12 hours, although maximum strength takes 24 hours to develop.
- a) Surfaces must be clean
 - b) Overlap a minimum of 2" and press surfaces firmly together. For long joints 2 to 3 of joint can be made at one time; peel back into previous portion slightly when using DS Bonding Fluid on the next section to assure continuity of joint. (see Figure 3) Apply Bonding Fluid to both surfaces to be joined. Allow the fluid to set 60 seconds prior to mating the surfaces. It is imperative that the pan be water tested for at least 24 hours to make sure that there are no leaks.
 - c) Always use pressure to complete solvent joints.
 - d) Lap joints in direction of watershed.
 - e) Provide adequate ventilation when working with DS Bonding Fluid.

Drain Installation

- a) Press the **Perma-Gard** Sheeting into position on the drain body, cut and fit where required. It is necessary to bond the pan liner to top of drain body with DS Bonding Fluid or Pure Silicone.
- b) Recommended – When installing PVC **Perma-Gard** to a PVC drain body you should weld the pan to the body using DS Bonding Fluid. Use Silicone Caulk with metal or plastic drains.
- c) Where the drain has a clamping ring that is bolted down, no wrinkling will occur. Where the clamping ring is threaded, the material may be lubricated to prevent wrinkling. A slight wrinkling will not affect the seal and will flatten out when the mortar is poured on to make base.
- d) If the drain has flutes on the underside, the clamping ring should be reversed so that the flat surface is sealing with **Perma-Gard**.
- e) Because **Perma-Gard** Sheeting brand plastic waterproofing membrane is not susceptible to electrolytic attack, it is not necessary to apply any protective coating (never apply asphalt) to the shower pan.
- f) Use Mortar Drain over weep holes.

Dam Corner Installation

- a) Cut along the studs at the opening and lay the **Perma-Gard** Sheeting over the dam, Fasten along the front of dam outside the shower pan.
 - b) Use two DS pre-formed corners. (see Figure 4) Clean one side of each pre-formed corner thoroughly.
 - c) Apply DS Bonding Fluid to surfaces to be bonded. Press the corner into place forming with hand pressure.
 - d) Trim the excess material outside the shower to cut, fold over and fasten to the outside surface. (see Figure 4)
- ***Perma-Gard**® PVC Shower Pan Liner will not rust, rot, or decay under normal and recommended conditions for the life of the installation. **Perma-Gard**® is not recommended for continuous exposure to the sun or environment.

LIMITED WARRANTY

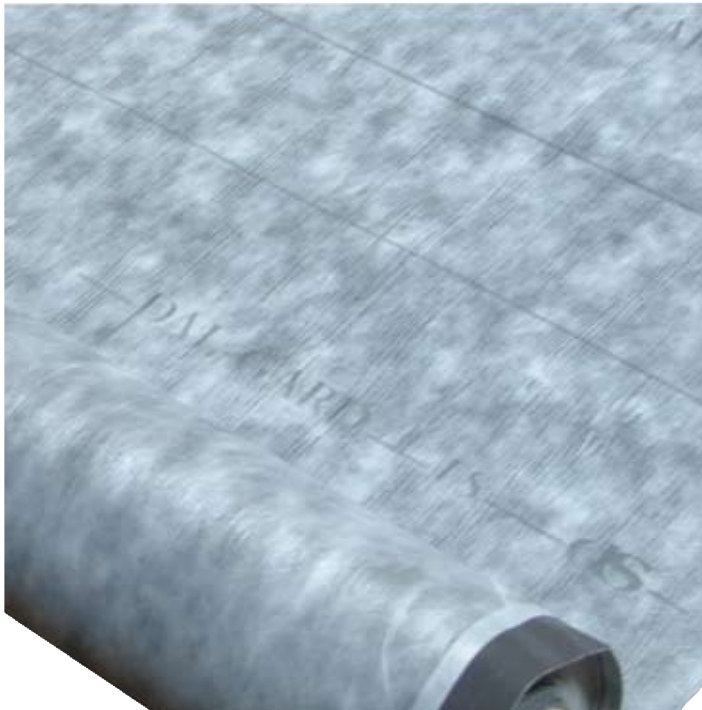
As the use of this product is beyond the control of seller, the liability of seller shall be limited to replacement of the product. Dallas Specialty warrants that its products are manufactured free of defects in material and workmanship. The limit of Dallas Specialty liability for failure of any of the products to meet foregoing warrants or for any breach of any other warranty, express, implied or statutory shall be to supply an equivalent amount of products returned to it and found by Dallas Specialty to be defective. DUE TO THE WIDELY VARYING CONDITIONS UNDER WHICH OUR PRODUCTS ARE USED OR INSTALLED, DALLAS SPECIALTY OFFERS NO WARRANTY AS TO THE LENGTH OF SERVICE OR SUITABILITY FOR ANY PARTICULAR PURPOSE OF THE PRODUCTS. IN NO EVENT SHOULD DALLAS SPECIALTY BE LIABLE FOR INCIDENTAL OR CONSEQUENTIAL DAMAGES OR INJURY. Any action for breach must be brought within 30 days of delivery. DALLAS SPECIALTY retains the right to make changes or improvements to our products from time to time.

Tile, Shower, Kitchen & Bath

DaL-Gard™ TS Crack Isolation and Waterproof Membrane

- DaL-Gard TS is a 40 mil., PVC sheet and NW. polyester fabric laminated on both sides.
- For thin-bed installations of ceramic tile, marble dimension stone or terrazzo.
- DaL-Gard TS is both a crack isolation and waterproof membrane in sheet form.
- Has excellent crack bridging ability.
- DaL-Gard can also be used in shower pans & counter tops.
- Assists in preventing cracks in tile due to dropped objects.

Part No.	Size (width x linear)	Square Feet/Roll
DALGARD - 540	5' x 40'	200 sq ft/roll
DALGARD - 550	5' x 50'	250 sq ft/roll
DALGARD - 5100	5' x 100'	500 sq ft/roll



NOTE: Dallas Speciality also supplies Perma-Gard® PVC shower pan liner, the first 40 mil. PVC pan liner on the market. Also the patented mortar drain and PVC shower drains.

Technical Information

Thickness	40 Mils, Nominal
Color	Charcoal Grey
Materials	PVC-30 & Non-Woven Polyester Fabric
Bonding (to itself)	#249 (Pint Cans)

Test Specification: ASTM D-4551

Property:	Test Results	Test Method
Thickness	30 mil. 0.030	ASTM D-374
	40 mil. 0.040	ASTM D-374
Stress-Strain	30 mil. 94 lbs. (2900 PSI)	ASTM D-412
	(Tensile Strength lbs./in.) 40 mil. 108 lbs. (2700 PSI)	ASTM D-412
Tear Resistance lbs./ultimate	30 mil. 12.6 lbs. (400% +)	ASTM D-1004
Elongation	40 mil. 13.3 lbs. (400% +)	ASTM D-1004
Pinholes	30 mil. Zero (passed)	ASTM D4551-11-3
	40 mil. Zero (passed)	ASTM D4551-11-3
Micro-Organism	30 mil. No Growth	ASTM D4551-A1
Resistance	40 mil. No Growth	ASTM D4551-A1
Puncture Resistance	30 mil. No Rupture	STM D4551-A2
Hydrostatic Pressure	40 mil. No Rupture	ASTM D4551-A2
Resistance	30 mil. No Leakage	ASTM D4551-A5
	Indentation Resistance 40 mil. No Leakage	ASTM D4551-A5
	30 mil. No Rupture	ASTM D4551-A3
	Folding Resistance 40 mil. No Rupture	ASTM D4551-A3
	30 mil. No Rupture	STM D4551-A4
	Chemical Resistance 40 mil. No Rupture	ASTM D4551-A4
	30 mil. Passed	ASTM D4551-A4
	Alkali Resistance 40 mil. Passed	ASTM D4551-A4
	30 mil. No Leaks	
	Shrinkage 40 mil. No Leaks	
	30 mil. Passed + 5%	ASTM D-1204
	Volatile Loss 40 mil. Passed + 5%	ASTM D-1204
	30 mil. Passed	ASTM D-1203
	40 mil. Passed	ASTM D-1203

LIMITED WARRANTY

As the use of this product is beyond the control of the seller, liability of the sellers shall be limited to replacement of product. Dallas Speciality warrants that its products are manufactured free of defects in material and workmanship. The limit of Dallas Speciality liability for failure of any of the products to meet foregoing warrants or for any breach of any other warranty, express, implied or statutory shall be to supply an equivalent amount of products returned to it and found by Dallas Speciality to be defective. DUE TO THE WIDELY VARYING CONDITIONS UNDER WHICH OUR PRODUCTS ARE USED OR INSTALLED, DALLAS SPECIALITY OFFERS NO WARRANTY AS THE LENGTH OR SERVICE SUITABILITY FOR ANY PARTICULAR PURPOSE OF THE PRODUCTS. IN NO EVENT SHALL DALLAS SPECIALITY BE LIABLE FOR INCIDENTAL OR CONSEQUENTIAL DAMAGED OR INJURY. Any action for breach of warranty must be brought within 30 days of delivery. Dallas Speciality retains the right to make changes or improvements from time to time in the products.

DaL-Gard Installation Instructions

SPECIAL NOTE:

Before installing **DaL-Gard**, prepare the substrate according to the Tile Council of America (TCA) Handbook for ceramic tile installation (latest edition). Refer to the TCA handbook for bond coat recommendations, which are latex or acrylic modified portland cement, epoxy and epoxy emulsion. Refer to ANSI A-108 standard for ceramic tile installation and ANSI-A118.10 standard for load bearing, bonding, waterproof membranes for thin-set ceramic tile and dimension stone installation. Also refer to TCA handbook section F-122 and ANSI A-118.4 and ANSI A-118.6. Inspect substrate to insure it is suitable for bonding tile and that it is free from dirt, dust and all debris.

- a) Prepare the bonding coat to manufacturers instructions then trowel the bond coat to the substrate (concrete, etc) Using a 1/4 "V" notched trowel. Trowel the bond coat area as wide as the **DaL-Gard** sheet and only as long as can be worked comfortably. Be careful not to allow the bond coat to develop a skin before applying **DaL-Gard** sheeting. Consult manufacturer's instructions when high temperatures exist. Do not cover large areas of substrate with the bond coat. NOTE: The use of finer notched trowels can cause mortar to skin over faster.
- b) Roll out the **DaL-Gard** sheeting on top of bond coat and using a 100lb. Roller work the **DaL-Gard** from the center to the edges thoroughly embedding the **DaL-Gard** sheet into the bond coat. If you are not waterproofing but only crack bridging then remove the bare solvent welding edge of **DaL-Gard** sheet so that only fibers are in contact with the bond coat and that all edges are in full contact with the bond coat.
- c) Before the bond coat cures, begin setting tiles using the TCA handbook recommendations and the bond coat manufacturer's recommendations.
- d) When covering large areas **DaL-Gard** can be joined by solvent welding with our #249 PVC bonding fluid only. Keep 2 inches of the **DaL-Gard** sheet free from fibers for welding. When welding **DaL-Gard** sheet to itself apply bonding fluid to both surfaces to be welded in approximately 36" sections then press together and roll out any air bubbles then repeat for longer runs as needed. When welding end seams. The fibers of **DaL-Gard** can be separated from the sheeting by applying acetone or paint thinner with a brush 2" wide then peel back the fibers and cut off with scissors then follow the above steps for solvent welding. Seams will cure in 24 hours but tiles can be set after about one hour of curing.

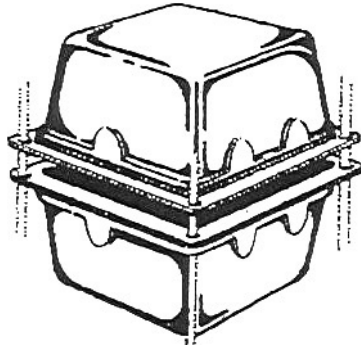
NOTE: The primary function of **DaL-Gard** is crack isolation and use for this type of system to bridge cracks or construction joints with tile may not be an absolute remedy.

Tile, Shower, Kitchen & Bath

Tub Boxes

Designed for the protection of tubs on the construction site. It is molded of flexible high impact plastic with smooth walls to cover and protect the entire surface of the bathtub. A protection pad is built into the bottom of the Tub Protector. This design will absorb the impact from dropped debris.

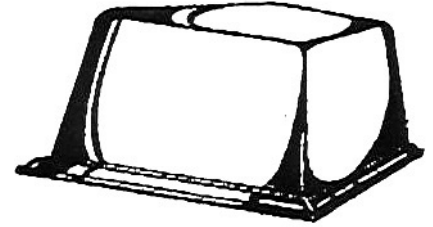
Plastic Tub Box Square



Part No.	Top	Bottom	Depth	Case Qty.
4112/TBP-2	13 x 13"	11 x 11"	7 1/2"	20

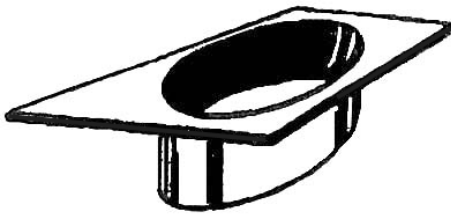
Plastic Tub Box Rectangle

Special Order



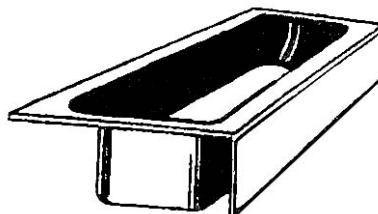
Part No.	Top	Bottom	Depth	Case Qty.
4112/TBP-1	9 x 13 x 6"		6"	36

Plastic Tub Protector—Oval Garden Tub



Part No.	Top	Bottom	Case Qty.
DSTP4-1251	42 x 72"	20"	25

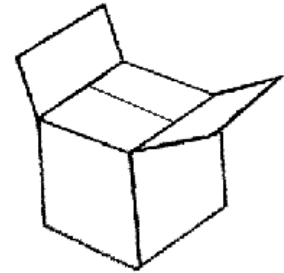
Plastic Tub Protector—Rectangle



Part No.	Top	Bottom	Case Qty.
DS-1131	30 X 60"	15"	35

Cardboard Tub Box

8" Deep, For use with any 1 1/2" or 2" P-traps under fixture



Part No.	Size	Case Qty.
TB-12 CORR	12 x 12 x 8"	25 per bundle

Schedule 40 DWV Waste & Overflows

Lift & Turn, Half Kits

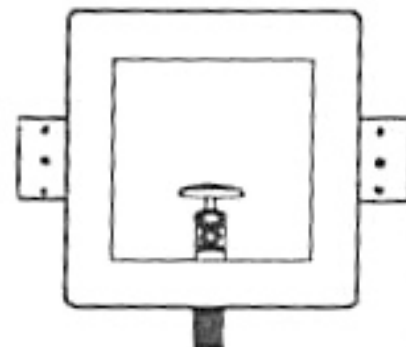


Part No.	Description	Case Qty.
DSW/OF-2	w/o condensate	24
DSW/OF-2CP	toe touch chrome 2hole face	24
DSW/OF-2HNH	hole in head 1- 1/2" w/condensate	24
DSW/OF-2PB	polished brass w/2hole face	24
DSR-0134PB	toe touch BB w/2hole face	24

Also Available with 1 hole face plate & PVD finishes.

Ice Maker Box with Valve

White box with valve installed with brass adapter, which allows easy valve replacement.



Part No.	Description	Case Qty.
DSB05-910	Icemaker box with brass valve	6

INDEX

A

Access Panels (Plastic & Metal)	Page 16
Access Doors (Metal)	Page 16
Air Gap Trim & Johnson Tee	Page 23
Atlas Epoxy	Page 24
Auto Vents, Plumbing Vents	Page 17

B

Backwater Valves	Page 17
Ball Valves, Gas	Page 15
Ball Valves, Water	Page 33
Bands, Hose Clamps	Page 25
Black Water Pipe	Page 21
Boiler Drain Dal-Cap	Page 11
Boxes, Valves	Page 27-32
Brass Drain	Page 38
Brass Fittings	Page 15
Buggy Wheel	Page 8
Bundy Straps	Page 18

C

Cable Saws	Page 19
Caps, Knock Out, Heavy Dut, Test, Zinc	Page 14, 17
Cardboard Tub Box	Page 47
Caulk, Dapp	Page 24
Caution Tape	Page 18
Ceiling Plates	Page 19
Clamps, Nail-Dal	Page 17
Clamps, Stainless Steel	Page 25
Clean-out Caps	Page 11
Clean-out, Double Barrel	Page 10
Closet Flanges	Page 42
Closet Stabilizers	Page 17
Compression, Comp, Tees	Page 22, 33
Compression Fittings Water	Page 22
Condensate P&R Traps	Page 17
Conduite Sleeve	Page 26
Copper Stub Outs	Page 15
Covers, Drain	Page 23
Crack Isolation Membrane	Page 45-46
Curb Stop Wrench	Page 14
Cutter, Inside Pipe	Page 18
Couplings	Page 2-6

D

Dal-Caps	Page 11
Dal-Caps with Boiler Drains	Page 11
Dal Clamps	Page 17
Dal Flanges	Page 42
Dal Flange Kit	Page 18, 42
Dal-Gard	Page 43-44
Dal-O-Ring	Page 8
Dal-Sleeve	Page 26
Dapp	Page 24
Debris, Well Traps	Page 5
Dishwasher Connector	Page 17
Dishwasher Drain Hose	Page 23
Donuts	Page 7
Doors, Access	Page 16
Double Barrel Clean-Out	Page 10
Drains	Page 34-41
Drain Accessories (replacement parts)	Page 38
Drain Covers	Page 23
Drains, Mortor	Page 40
Drain Trap Adapter	Page 8
Drop Ear, Brass	Page 15
Duct Tape	Page 18

E

Eccentric Couplings	Page 3
Elbows, Brass	Page 15
Elbows, Flexible Tees	Page 8
Elbows, PVC Offset	Page 17
Epoxybond	Page 24
Escutcheons (Plastic, Chrome Plated, Brass)	Page 19
Floor & Ceiling Plates, & High Box Flanges	Page 19
Expansion Joint	Page 8
Extend-A-Drain	Page 38
Extended Length Closet Flange	Page 42
Extension Valve Box	Page 30-31
Extensions, Brass	Page 15
Extra Long Coupling	Page 3

F

Fast & Tite Fittings	Page 22
Flanges	Page 42
Flange, Dal-Kit	Page 18, 42
Flanges, Repairs	Page 42

Flanges, Spacer	Page 42
Flexible Pipe Couplings	Page 2-5
Flexible Tees and Elbows	Page 8
Flo Fittings (PVC Water Service Fittings CTS)	Page 21
Flo Thru Plug	Page 23
Foam Selant	Page 18

G

Gas Pipe Wrap	Page 18
Gas, MAPP Gas	Page 18
Gaskets, Shower	Page 8, 38
Gasket, Soil Pipe	Page 8
Gear Clamp	Page 25
Gem Cap	Page 11
Grates, Drains	Page 34-37
Grates, Pipe Fit Strainer	Page 17

H

Hack Saw	Page 18
Hanger Iron	Page 18
Heavy Duty No-Hub Pipe Couplings	Page 9
Heavy Duty PVC Test Caps	Page 17
Hose, Pump	Page 23
Hose, Extension	Page 23
Hose, Replacement	Page 23
Hose, Washing Machine	Page 23
Hose, Dishwasher Drain	Page 23
Hose Clamps	Page 25

I

Ice Maker Boxes	Page 47
Iodon Drain Covers	Page 23
Iodon Drain Covers	Page 23
Import Couplings	Page 6, 9
Insulation, Pipe	Page 20

J

Jute, Oakum	Page 14
Johnson Tee	Page 23

K

Knock-Out Caps	Page 17
Kits, O-Ring	Page 18
Kits, Dal Flange	Page 18, 42

INDEX

L

Levers, Tank	Page 47
Liner, Shower Pan	Page 40-46
Long Test Plug	Page 22

M

Manhole Adapter	Page 8
Manhole Stopper Plug	Page 8
MAPP Gas	Page 18
Mechanical Plugs (plastic & metal)	Page 14, 22
Meter Key (MK-111)	Page 14
Meter Wrench (#77)	Page 14
Meter Boxes	Page 27-32
Mortar Drain	Page 40
Multi-Tite Gasket	Page 8
Mushroom, Air Gap	Page 23

N

Nail Clamps	Page 17
Newmatic Test Plugs	Page 22
No-Hub Pipe Couplings	Page 9

O

Oakum & Packing	Page 14
Offset Elbow	Page 17
Orange Slip-Test Caps	Page 17
O-Ring Kit	Page 18

P

Pans, Water Heater	Page 16
Panels, Access	Page 16
Parker (Fast & Tite) Compression Fittings	Page 22
Pipe Cutter (Inside Pipe Cutter)	Page 18
Pipe Couplings	Page 2-6
Pipe Fit Strainers	Page 17
Pipe Insulation	Page 20
Pipe Sleeve (Dal-Sleeve)	Page 26
Plastic Closet Flanges (Flush Type)	Page 42
Plastic Mechanical Plugs (wing nut test plugs)	Page 14, 22
Plastic Sewer Lateral Cleanout & Accessories	Page 12
Plastic Tube Cutter	Page 21
Plastic Tub Protectors	Page 47
Plastic Water Heater Pans	Page 16
Plugs	Page 8, 22

Plumbers Paste	Page 24
Plumbing Vent	Page 17
Poly Black Water Pipe	Page 21
Poly Tubing, yellow	Page 22
Poly Rope	Page 14, 17
Probe Rod	Page 14
P-Traps	Page 17
Pumps & Hoses	Page 23
Push & Shuv Repair Closet Flange	Page 42
PVC Backwater Valves	Page 17
PVC Ball Valves	Page 33
PVC Offset Elbows	Page 17
PVC-Perma Guard Liner	Page 43-44

Q

Quik-Fix Floor & Flange Support	Page 18, 42
---------------------------------	-------------

R

Rope	Page 17
Rubber Straps	Page 18
Running Traps	Page 17

S

Sand Cloth	Page 15
Selant, Foam	Page 18
Sewer Lateral Cleanouts	Page 12 - 13
Sewer Relief Plugs	Page 14
Shear Rings	Page 6
Shim, Wedge	Page 17
Shower Drain Gaskets	Page 8, 38
Shower Pan Liners -Perma-Gard	Page 43-44
Sleeving	Page 26
Spacer Flange	Page 18, 42
Spudnuts	Page 7
Stands, Water Heaters	Page 16
Strainer, Pipe Fit	Page 17
Stainless Steel Clamps (Partial, All Stainless & Snaplock)	Page 25
Stainless Steel Clamps for Flexible PVC Pipe Couplings	Page 6
Stub Out, Copper	Page 15
Stopper Plug, Manhole	Page 8, 29
Street Compression Closet Flanges	Page 42
Stretch Wrap	Page 18
SV Cast Iron Spudnuts	Page 7
SV Soil Pipe Gaskets (Multi-Tite)	Page 8

T

Tank Levers	Page 47
Tape	Page 18
Teflon Tape	Page 15
Test Plugs	Page 22
Torches & Gas Products	Page 18
Torque Wrench	Page 6
Tracer Wire	Page 17
Transition Couplings	Page 6
Traps	Page 5, 17
Tub Boxes & Protectors	Page 47

U

Universal Mortar Drain	Page 40
Utility Straps	Page 18

V

Vertical Expansion Joints	Page 8
Vent, Plumbing	Page 17
Valves, Backwater, Check Valves	Page 17, 33
Valves, Boxes	Page 27-32

W

Washers	Page 38
Washing Machine Hose	Page 23
Waste & Overflows	Page 47
Water Compression Fittings	Page 22
Water Fittings	Page 21, 33
Water Heater Pans & Stands	Page 16
Water Pipe	Page 21
Water Stop Gaskets	Page 8
Waterproof Membrane	Page 43-46
Wax Rings	Page 18
Wedges	Page 17
Well Trap	Page 5
Wing Nut Plugs	Page 22
Wire, Tracer	Page 17
Wrap, Stretch, Gas Pipe	Page 18
Wrench Torque, Meter	Page 6, 14

X, Y, Z

Yellow Rope	Page 17
Zinc Anode Caps	Page 14



**DALLAS SPECIALTY
& MFG. Co.**

1161 Ruggles Drive Grand Prairie, TX 75050

(972) 641-8444 Fax (972) 641-8488

(800) 222-5644

www.dallasspecialty.com

ISO 9001: 2000 Compliant