

NEWPORT BATH

Features

- Solid brass construction
- 3/4" IPS
- 2-3/8" flange diameter with o-ring retainer
- Many lengths available (11 sizes from 2" to 42")

Codes / Standards Compliance

Meets or exceeds the following at date of manufacture:

- All applicable US Federal and State material regulations

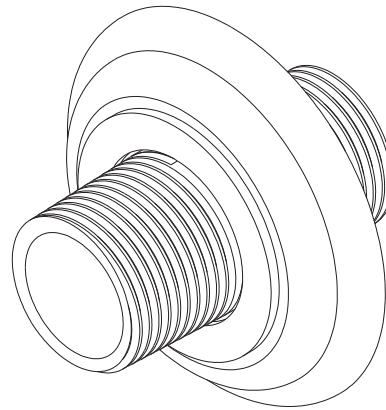
Colors / Finishes

- 10B: Oil Rubbed Bronze
- 15: Polished Nickel
- 15S: Satin Nickel
- 26: Polished Chrome
- Other: Refer to the Newport Brass catalog for additional color/finish options.

Shower Arm with Flange

516-2

Also 516-4, 516-6, 516-8, 516-10, 516-12, 516-18, 516-24, 516-30, 516-36, 516-42



Specified Model

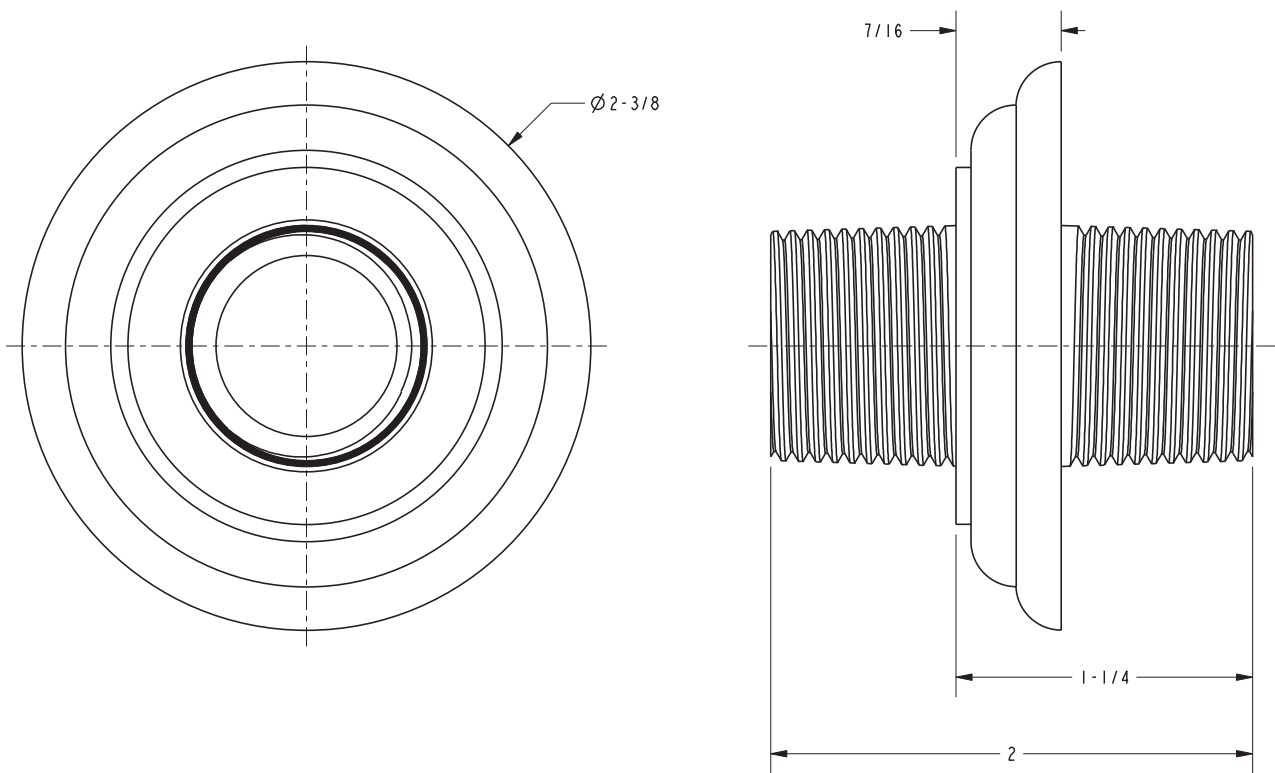
Model	Description	Colors Finishes				
516-2	3/4" IPS x 2" Ceiling Mounted Showerhead Nipple with Flange	<input type="checkbox"/> 10B	<input type="checkbox"/> 15	<input type="checkbox"/> 15S	<input type="checkbox"/> 26	<input type="checkbox"/> Other
516-4	3/4" IPS x 4" Ceiling Mounted Showerhead Nipple with Flange	<input type="checkbox"/> 10B	<input type="checkbox"/> 15	<input type="checkbox"/> 15S	<input type="checkbox"/> 26	<input type="checkbox"/> Other
516-6	3/4" IPS x 6" Ceiling Mounted Showerhead Nipple with Flange	<input type="checkbox"/> 10B	<input type="checkbox"/> 15	<input type="checkbox"/> 15S	<input type="checkbox"/> 26	<input type="checkbox"/> Other
516-8	3/4" IPS x 8" Ceiling Mounted Showerhead Nipple with Flange	<input type="checkbox"/> 10B	<input type="checkbox"/> 15	<input type="checkbox"/> 15S	<input type="checkbox"/> 26	<input type="checkbox"/> Other
516-10	3/4" IPS x 10" Ceiling Mounted Showerhead Nipple with Flange	<input type="checkbox"/> 10B	<input type="checkbox"/> 15	<input type="checkbox"/> 15S	<input type="checkbox"/> 26	<input type="checkbox"/> Other
516-12	3/4" IPS x 12" Ceiling Mounted Showerhead Nipple with Flange	<input type="checkbox"/> 10B	<input type="checkbox"/> 15	<input type="checkbox"/> 15S	<input type="checkbox"/> 26	<input type="checkbox"/> Other
516-18	3/4" IPS x 18" Ceiling Mounted Showerhead Nipple with Flange	<input type="checkbox"/> 10B	<input type="checkbox"/> 15	<input type="checkbox"/> 15S	<input type="checkbox"/> 26	<input type="checkbox"/> Other
516-24	3/4" IPS x 24" Ceiling Mounted Showerhead Nipple with Flange	<input type="checkbox"/> 10B	<input type="checkbox"/> 15	<input type="checkbox"/> 15S	<input type="checkbox"/> 26	<input type="checkbox"/> Other
516-30	3/4" IPS x 30" Ceiling Mounted Showerhead Nipple with Flange	<input type="checkbox"/> 10B	<input type="checkbox"/> 15	<input type="checkbox"/> 15S	<input type="checkbox"/> 26	<input type="checkbox"/> Other
516-36	3/4" IPS x 36" Ceiling Mounted Showerhead Nipple with Flange	<input type="checkbox"/> 10B	<input type="checkbox"/> 15	<input type="checkbox"/> 15S	<input type="checkbox"/> 26	<input type="checkbox"/> Other
516-42	3/4" IPS x 42" Ceiling Mounted Showerhead Nipple with Flange	<input type="checkbox"/> 10B	<input type="checkbox"/> 15	<input type="checkbox"/> 15S	<input type="checkbox"/> 26	<input type="checkbox"/> Other

Product Specification Add "Color / Finish" suffix to Model number, below.

The Shower Arm with Flange shall be made of solid brass construction. Product shall incorporate 3/4" NPT ends and have an approximate length of _____" (2", 4", 6", 8", 10", 12", 18", 24", 30", 36", 42"). The product shall incorporate a flange covering a 2-3/8" diameter at the wall and retaining an o-ring interface with the shower arm. Shower Arm with Flange shall be Newport Brass Model 516-_____/_____.

516-2

PRODUCT DIMENSIONS *(Units are in inches)*



Newport Bath Shower Arm with Flange
516-2