

NOTES:

1. FIT / FORM / FUNCTION SHALL FOLLOW PS-E.008.

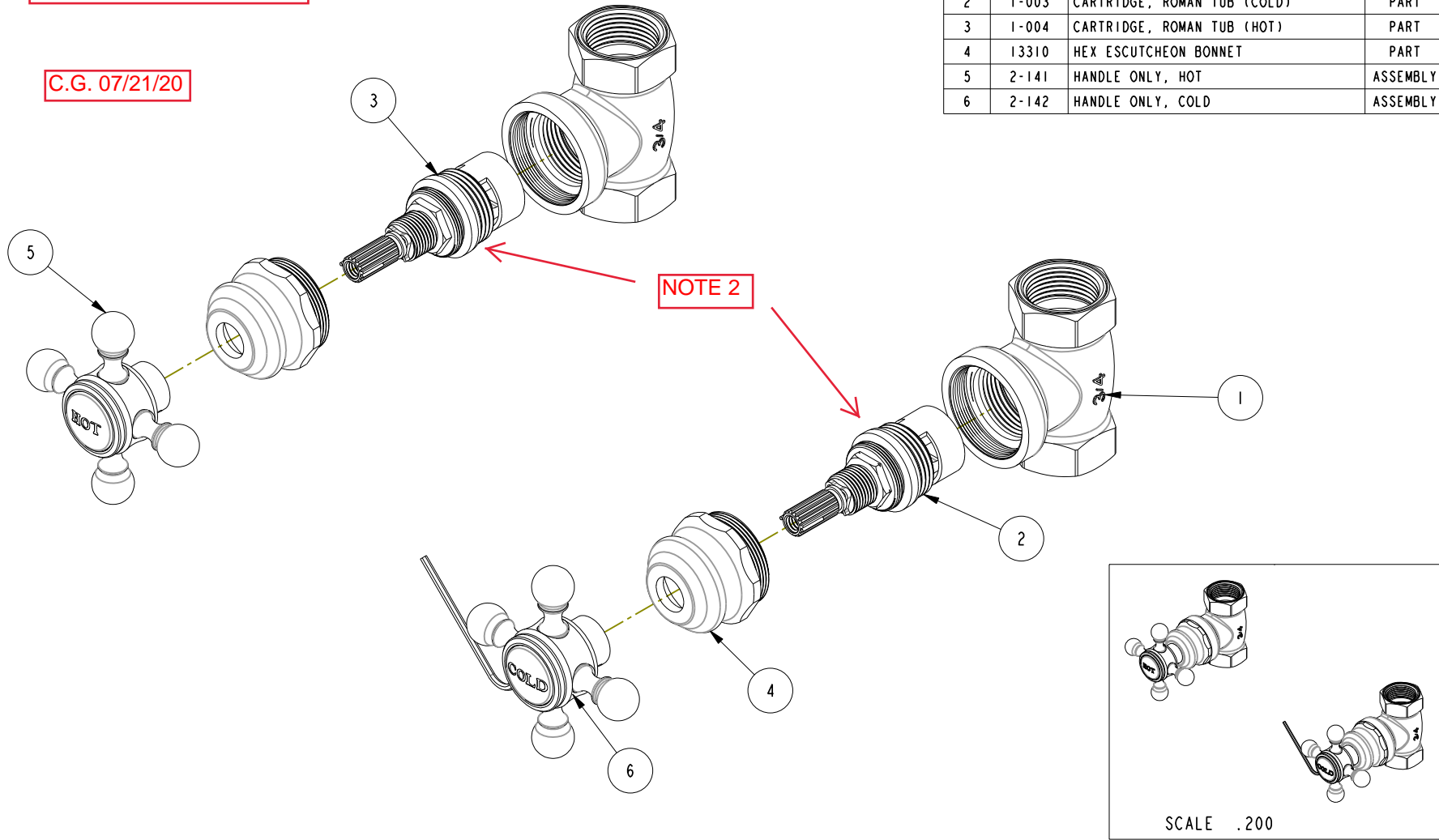
2. TORQUE 15-20 FT-LBS

C.G. 07/21/20

NOTE 2

BILL OF MATERIAL (CURRENT LEVEL)

ITEM	PT/ASSY	DESCRIPTION	TYPE	QTY.
1	13311	BODY	PART	2
2	1-003	CARTRIDGE, ROMAN TUB (COLD)	PART	1
3	1-004	CARTRIDGE, ROMAN TUB (HOT)	PART	1
4	13310	HEX ESCUTCHEON BONNET	PART	2
5	2-141	HANDLE ONLY, HOT	ASSEMBLY	1
6	2-142	HANDLE ONLY, COLD	ASSEMBLY	1



SCALE .200

TESTING	-	-	-
ASSEMBLY	-	-	-
PLATING	-	NEXT ASSY	USED ON
POLISHING	-		
MACHINING	-		
TOOLING FIXTURE #		REMOVE ALL BURRS AND SHARP EDGES	

BRASSTECH 2001 CARNEGIE AVE.
INCORPORATED SANTA ANA, CA 92705
(949) 417-5207

SHUT-OFF VALVE

UNITS ARE: INCHES [MM]
TOLERANCES ARE:
FRACTIONS DECIMALS ANGLES
±1/16" .X ±.1 [2.5] ±1°
.XX ±.06 [1.5]

(X.XXX) DENOTES CRITICAL DIMS.
ALL THREADS ARE CRITICAL

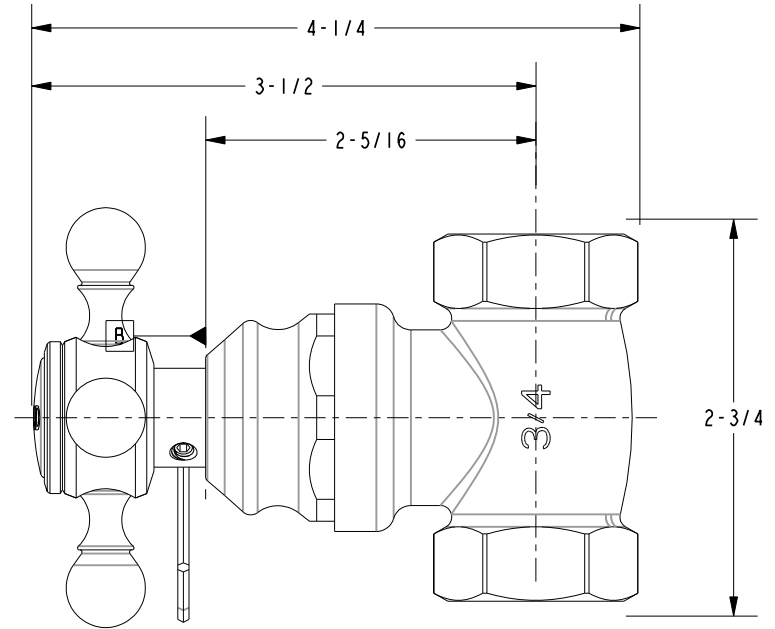
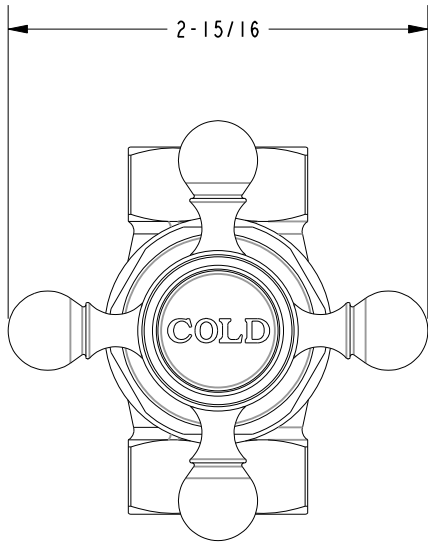
DRAWN C.GAYOSSO 06/02/20
CHECKED C.GAYOSSO 06/02/20
APPROVED C.GAYOSSO 06/02/20

DWG NO. **3-192** REV A

SCALE .500 REF. - SHEET 1 OF 2

COPYRIGHT 2005 BRASSTECH, INC. THESE DRAWINGS AND THE DESIGNS DEPICTED HEREIN ARE THE PROPRIETARY PROPERTY OF BRASSTECH. ANY USE OR REPRODUCTION IS SUBJECT TO THE EXPRESS APPROVAL OF BRASSTECH. UNAUTHORIZED USE IS STRICTLY PROHIBITED. ALL RIGHTS RESERVED.

ZONE	REV	DESCRIPTION	DATE	APPROVED
-	A	EN-3961-1C	06/02/20	C.G.



BRASSTECH		2001 E. CARNEGIE AVE.	
INCORPORATED		SANTA ANA, CA 92705	
DWG NO. 3-192		REV A	
SCALE .750	REF. -	SHEET 2 OF 2	