

4

3

2

1

BILL OF MATERIAL (CURRENT LEVEL)

ITEM	PT/ASSY	DESCRIPTION	TYPE	QTY.
1	11091	HANDLE LEVER	PART	1
2	92000	SCREW 8 - 32 X 1/8 SS	PART	2

D

D

C

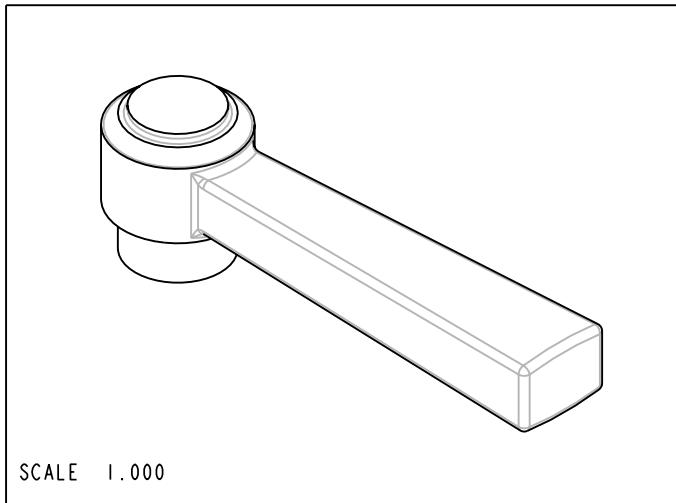
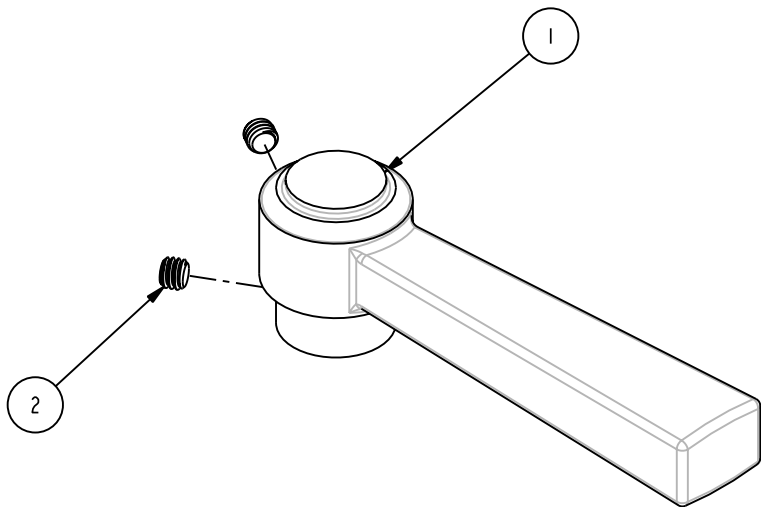
C

B

B

A

A



COPYRIGHT 2003 BRASSTECH, INC. THESE DRAWINGS AND THE DESIGNS DEPICTED HEREIN ARE THE PROPRIETARY PROPERTY OF BRASSTECH. ANY USE OR REPRODUCTION IS SUBJECT TO THE EXPRESS APPROVAL OF BRASSTECH. UNAUTHORIZED USE IS STRICTLY PROHIBITED. ALL RIGHTS RESERVED.

BRASSTECH
 INCORPORATED
 2001 E. CARNEGIE AVE.
 SANTA ANA, CA 92705
 (949) 417-5207

LEVER HANDLE ASM

ASSY. NO.		2-436				EO-0255		01/27/04	
SCALE 1.000	REF. -	SHEET	OF	REV	REV DESC	DATE			

4

3

2

1