

4

3

2

1

D

D

C

C

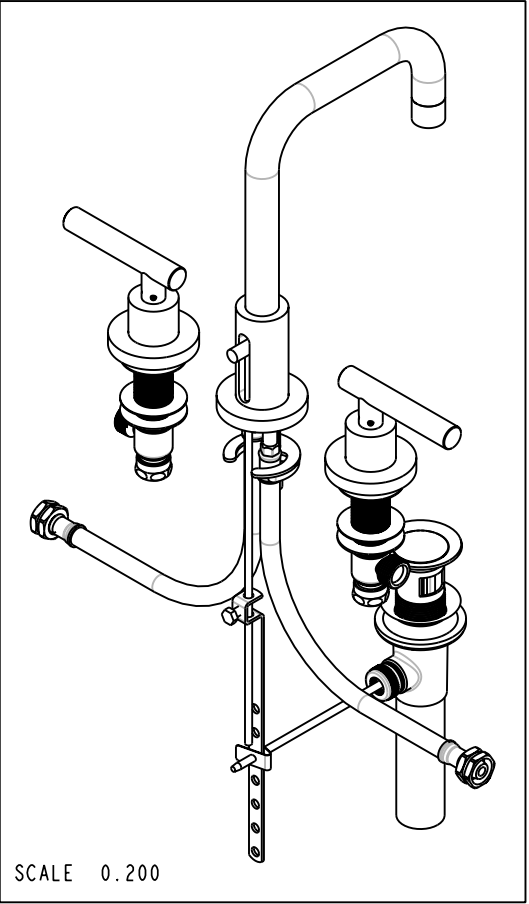
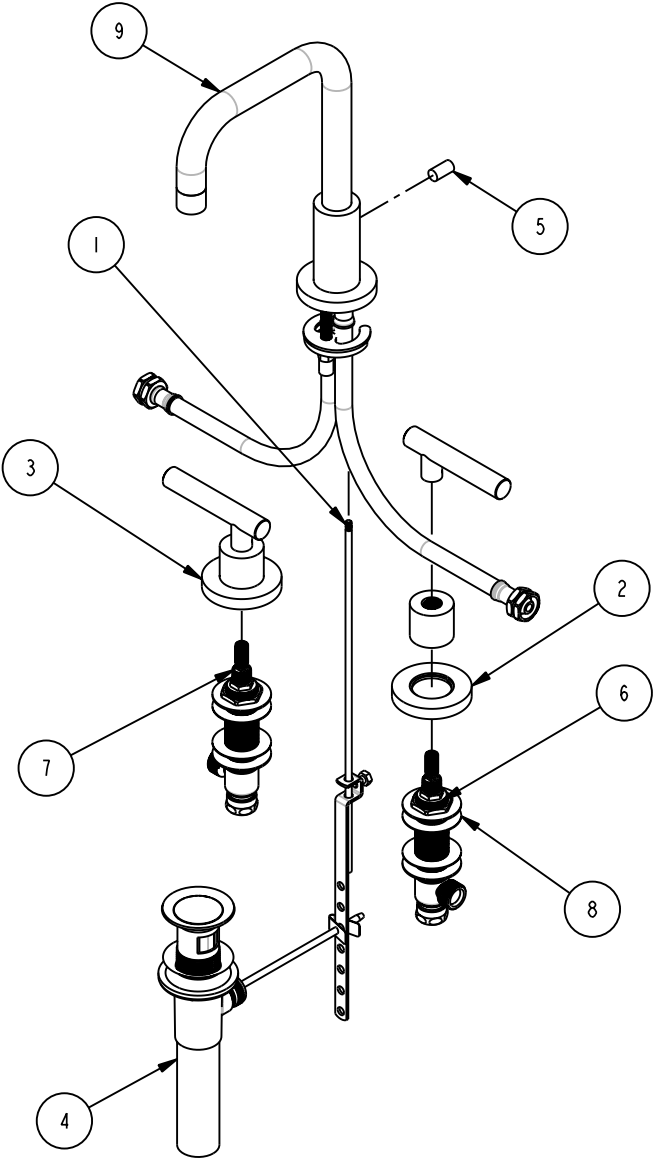
B

B

A

A

BILL OF MATERIAL (CURRENT LEVEL)				
ITEM	PT/ASSY	DESCRIPTION	TYPE	QTY.
1	10288	3/16" POP UP ROD	PART	1
2	3-227LC	HANDLE TRIM ASM - COLD	ASSEMBLY	1
3	3-227LH	HANDLE TRIM ASM - HOT	ASSEMBLY	1
4	325	POP UP ASSEMBLY	ASSEMBLY	1
5	10827	POP-UP KNOB	PART	1
6	1-526	W/S CART/BODY ASM (COLD)	ASSEMBLY	1
7	1-527	W/S CART/BODY ASM (HOT)	ASSEMBLY	1
8	1-027	WIDE SPREAD MOUNTING HARDWARE	ASSEMBLY	1
9	3-274	WIDESPREAD SPOUT ASSY	ASSEMBLY	1



COPYRIGHT 2003 BRASSTECH, INC. THESE DRAWINGS AND THE DESIGNS DEPICTED HEREIN ARE THE PROPRIETARY PROPERTY OF BRASSTECH. ANY USE OR REPRODUCTION IS SUBJECT TO THE EXPRESS APPROVAL OF BRASSTECH. UNAUTHORIZED USE IS STRICTLY PROHIBITED. ALL RIGHTS RESERVED.

**BRASSTECH**  
INCORPORATED  
2001 E. CARNEGIE AVE.  
SANTA ANA, CA 92705  
(949) 417-5207

WIDESPREAD DECK FAUCET

ASSY. NO.		1400L				RELEASED		04/28/03	
SCALE 0.175	REF. -	SHEET	OF	REV	REV DESC	DATE			

4

3

2

1