

# INSTALLATION INSTRUCTIONS WALL MOUNT POT FILLER

NEWPORT BRASS®

*Flawless Beauty. From Faucet to Finish.™*

Model No's:

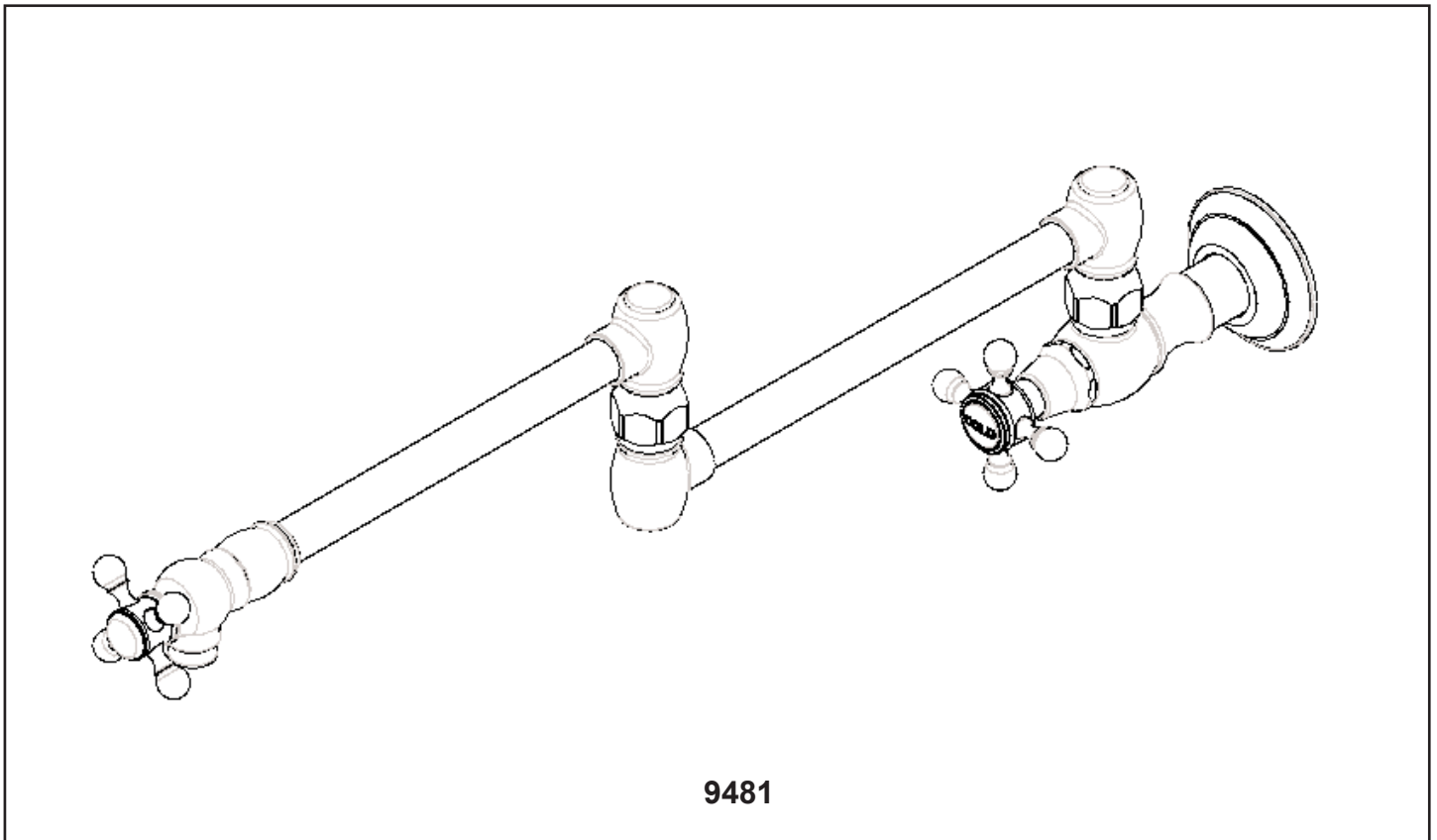
9481, 9482, 9485, 2470-5503, 1200-5503

1030-5503, 2500-5503, 2940-5503,

3170-5503, 3200-5503, 3210-5503,

3160-5503, 3180-5503, 3190-5503,

3220-5503, 3290-5503



**Congratulations on the purchase  
of your Newport Brass product,  
an excellent choice, that will give you  
years of quality service and enhance  
the look and style of your home.**

# Recommended Installation by a Professional Plumbing Contractor

## Note:

- I. Framing support is required for mounting flange to ensure sufficient strength of installation.
- II. While drilling, extreme care should be taken to avoid damage to hidden electrical or plumbing lines.
- III. Pot filler may get hot when arm is positioned above the stove's burner. Swing the pot filler arm away from the stove after use.
- IV. The use of petroleum based plumbers putty on this product will nullify the warranty. We recommend the use of silicone based sealing materials as needed.

## Installation:

1. Shut off water supply. Tap into existing cold water supply and run to desired location on the wall. 1/2 NPT connection (not supplied) is required and should protrude 1/2" out from finished wall. Apply thread sealant to protruding end of 1/2 NPT. See **Figure 1**.
2. Center and secure the mounting FLANGE (1) over 1/2 NPT water supply with SCREWS (2) provided. See **Figure 2**.
3. Temporarily thread ESCUTCHEON with O-RING (3) onto mounting FLANGE (1). See **Figure 3**.
4. Thread SPOUT ASSEMBLY (4) through ESCUTCHEON/O-RING (3) and onto 1/2 NPT water supply. See **Figure 4**.
5. Remove ESCUTCHEON/O-RING (3) to expose mounting FLANGE (1). See **Figure 5**. Tighten the SETSCREW (5) to secure SPOUT ASSEMBLY (4) to mounting FLANGE (1). Re-attach ESCUTCHEON/O-RING (3) to mounting FLANGE (1) until flush against finish wall.
6. Remove AERATOR (7) from SPOUT ASSEMBLY (4). See **Figure 6**. Turn on water supply and check for leaks. Repair as needed. Open valve and run water through SPOUT ASSEMBLY (4) to remove debris. Check for leaks and make any final adjustments required. Re-attach AERATOR (7) to SPOUT (4).

