

INSTALLATION INSTRUCTIONS EXPOSED TUB FILLER WITH HAND SHOWER

NEWPORT BRASS
Flawless Beauty. From Faucet to Finish.™

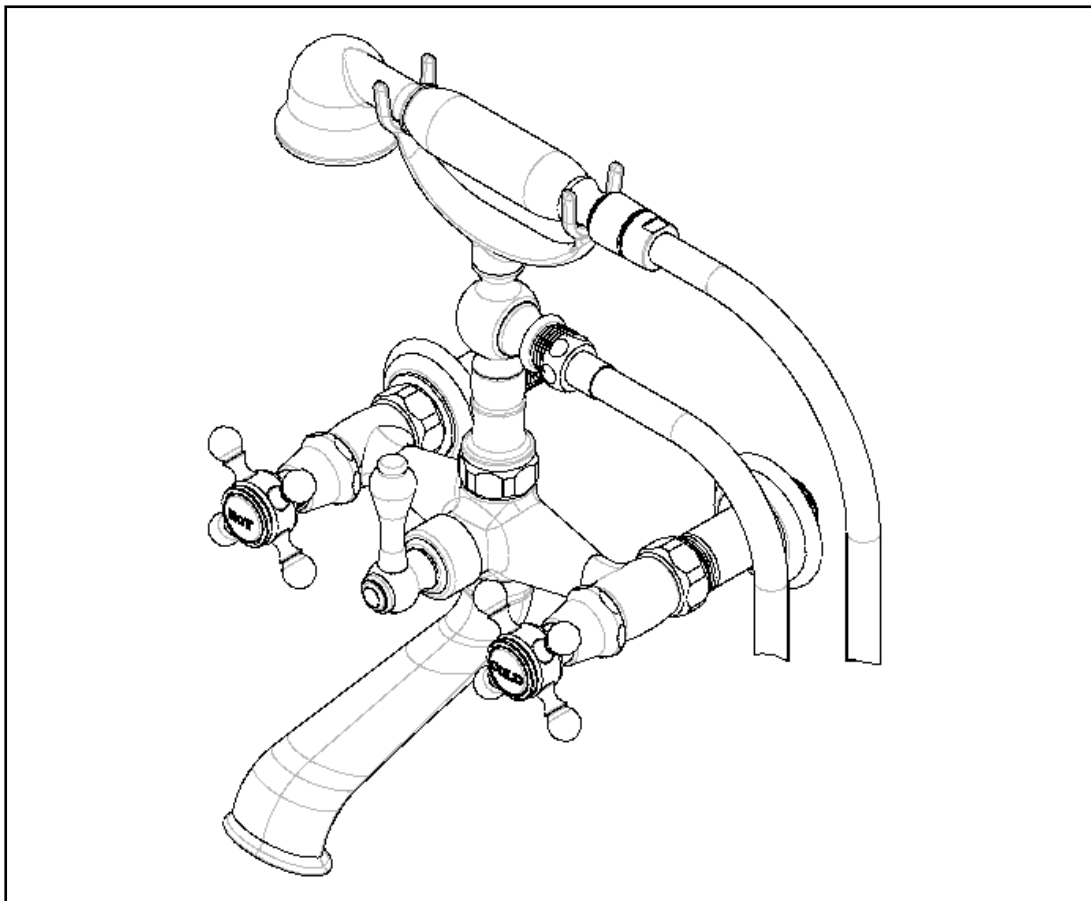
Model No:

934, 1014, 850-4283, 2400-4282, 2400-4283

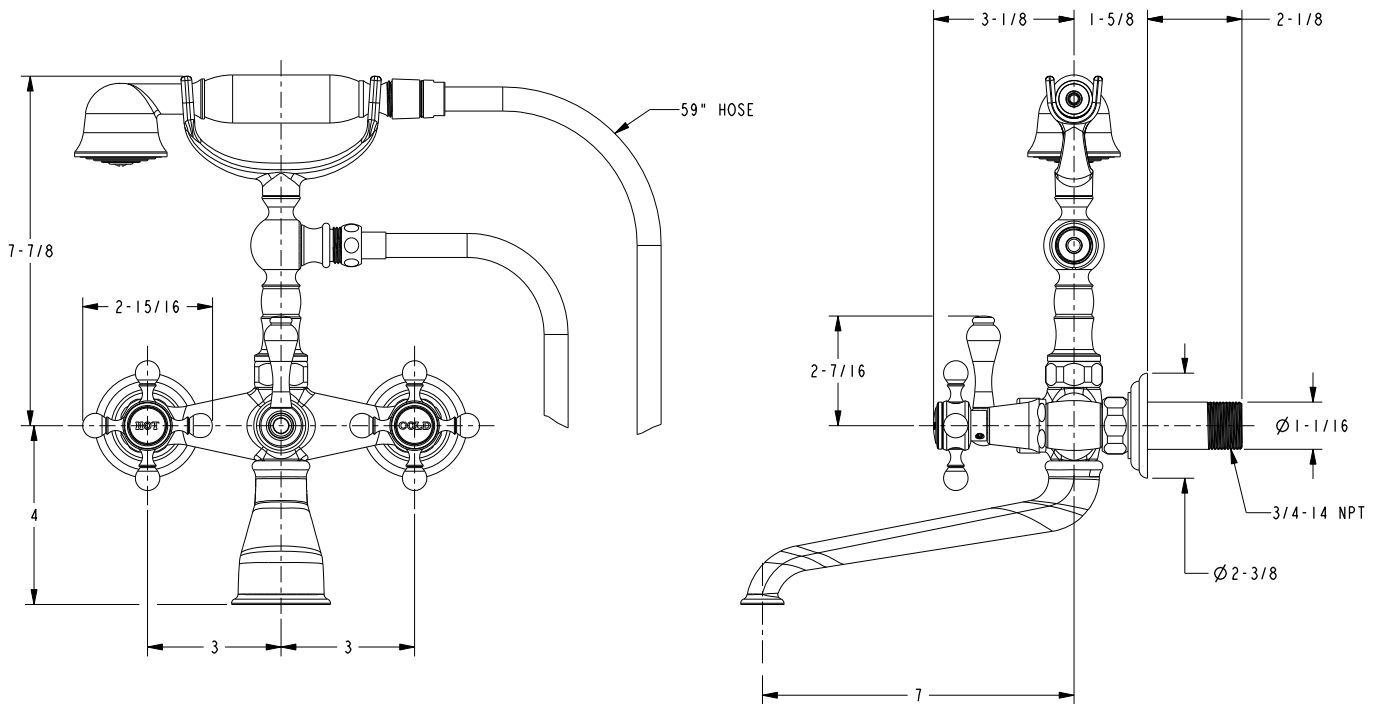
910-4283, 920-4282, 1020-4283, 1600-4282

1620-4283, 1760-4282, 1770-4283

1200-4283, 2590-4283



**Congratulations on the purchase
of your Newport Brass product,
an excellent choice, that will give you
years of quality service and enhance
the look and style of your home.**



Recommended Installation by a Professional Plumbing Contractor

Note: The use of petroleum base plumbers putty on our products will nullify the warranty. We recommend the use of clear silicone sealing materials. Recommended deck hole 2 @ $\phi 1.25$ and 6" apart - center to center.

Based on finished wall thickness, installer must use appropriate length $\frac{3}{4}$ " NPT NIPPLE (1), not included, for faucet installation.

