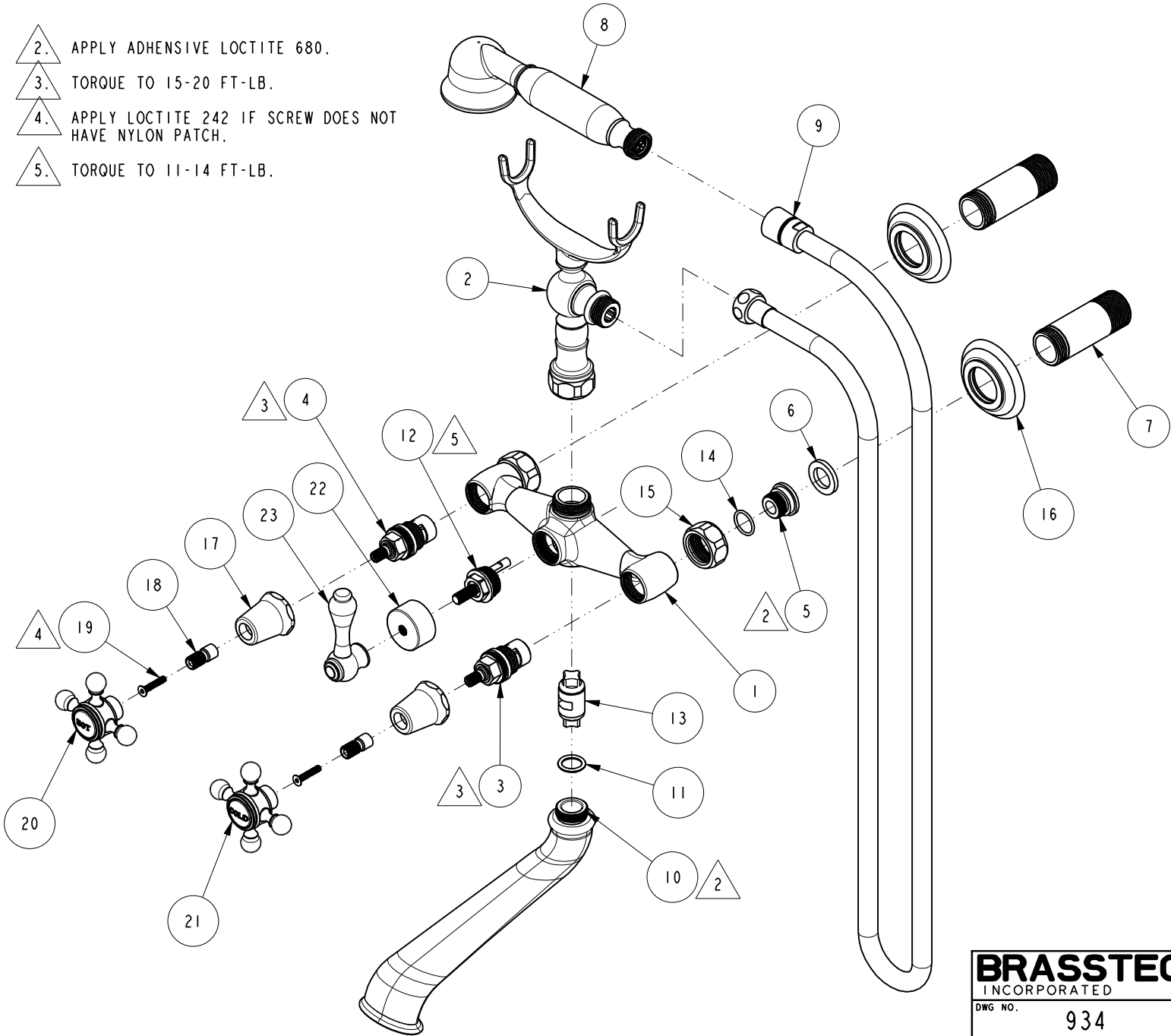
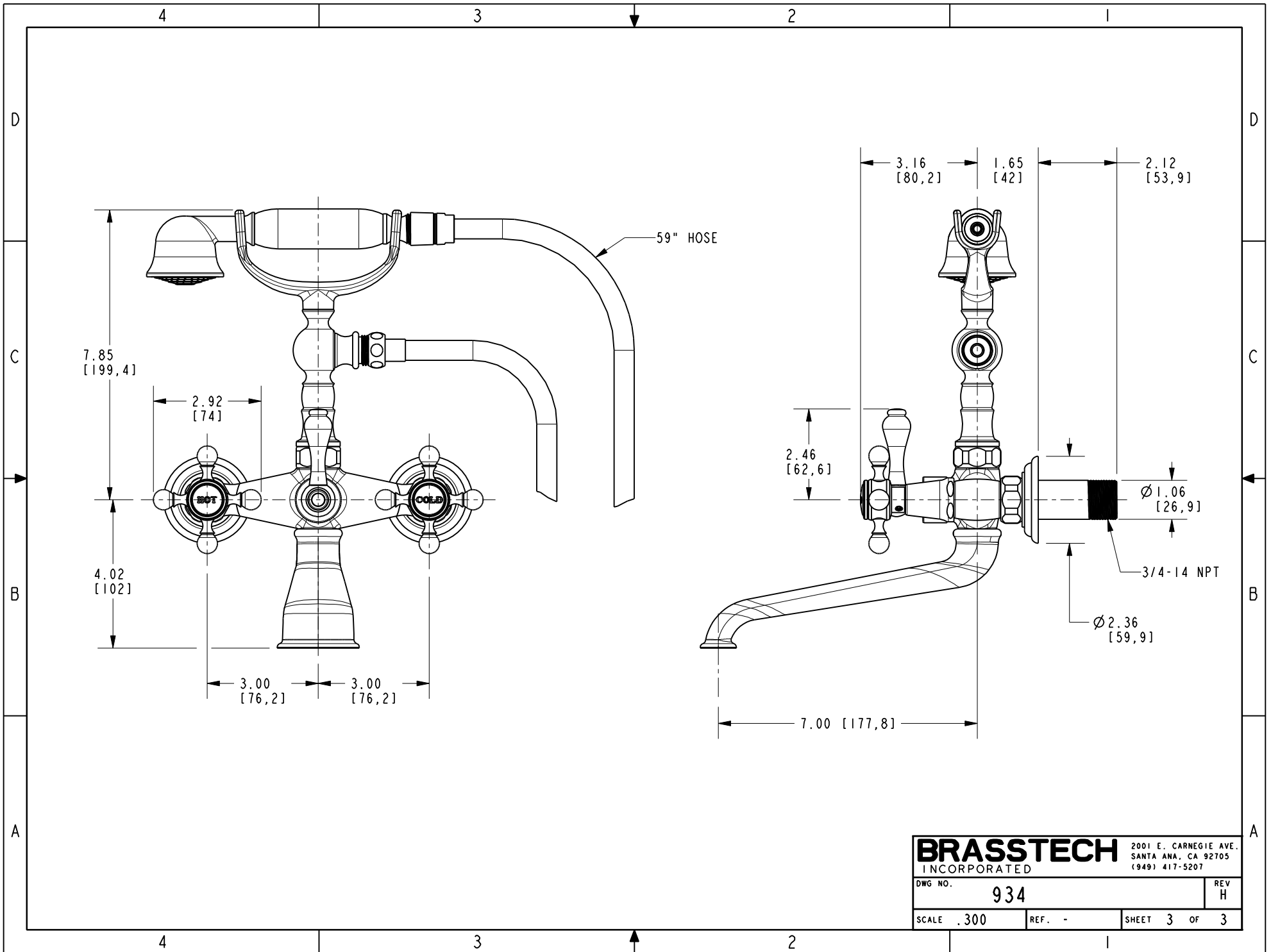




- △ 2. APPLY ADHENSIVE LOCTITE 680.
- △ 3. TORQUE TO 15-20 FT-LB.
- △ 4. APPLY LOCTITE 242 IF SCREW DOES NOT HAVE NYLON PATCH.
- △ 5. TORQUE TO 11-14 FT-LB.



<b>BRASSTECH</b>		2001 E. CARNEGIE AVE. SANTA ANA, CA 92705 (949) 417-5207	
DWG NO.	934	REV	H
SCALE .250	REF. -	SHEET 2	OF 3



<b>BRASSTECH</b>		2001 E. CARNEGIE AVE. SANTA ANA, CA 92705 (949) 417-5207	
INCORPORATED			
DWG NO.	934	REV	H
SCALE .300	REF. -	SHEET 3	OF 3