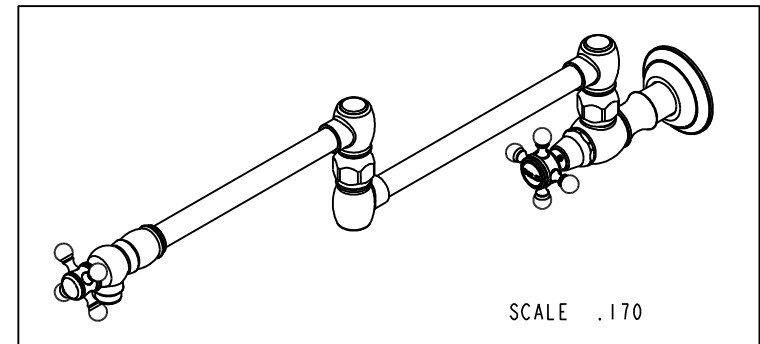
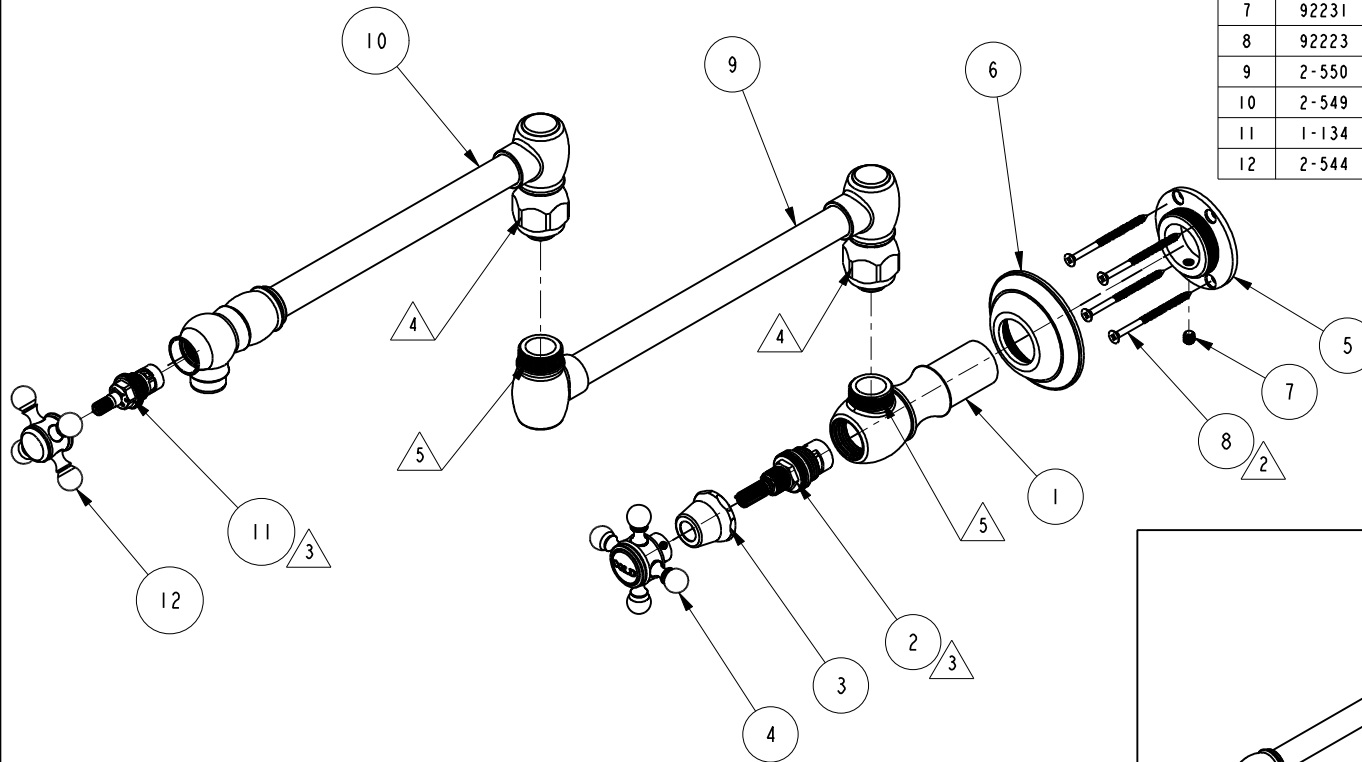


NOTES:

- (N1) 1. FIT / FORM / FUNCTION SHALL FOLLOW PS-E.008.
- (N2) 2. PACK THESE ITEMS IN A PLASTIC BAG.
- (N3) 3. INSTALLATION TORQUE 11-14 LB-FT.
- (N4) 4. INSTALLATION TORQUE 6-9 LB-FT.
- (N5) 5. APPLY LOCTITE 680

BILL OF MATERIAL (CURRENT LEVEL)

ITEM	PT/ASSY	DESCRIPTION	TYPE	QTY.
1	11299	VALVE BODY, WALL-END	PART	1
2	1-002	W/S CARTRIDGE - HOT	PART	1
3	10331	BONNET FOR 933, 934	PART	1
4	2-142	HANDLE ONLY, COLD	ASSEMBLY	1
5	11301	FLANGE, MOUNTING	PART	1
6	2-555	FLANGE ASM, TRAD	ASSEMBLY	1
7	92231	SCRW, 1/4-20 X 1/4 SKT HD CUP PT SS	PART	1
8	92223	SCRW, #8 X 2-1/2 PHL FLT HD SS	PART	4
9	2-550	LOWER ARM ASM, TRAD	ASSEMBLY	1
10	2-549	UPPER ARM ASM, TRAD	ASSEMBLY	1
11	1-134	CARTR 3/8 HOT 1/4 TR	PART	1
12	2-544	CROSS HANDLE ASM, TRAD	ASSEMBLY	1



ZONE	REV	DESCRIPTION	DATE	APPROVED
-	C	EN-2874	09/30/15	N.S
-	B	EN-2528	05/08/13	-
-	A	EO-0701	08/25/06	-
-	-	EO-0641	01/18/06	-

COPYRIGHT 2005 BRASSTECH, INC. THESE DRAWINGS AND THE DESIGNS DEPICTED HEREIN ARE THE PROPRIETARY PROPERTY OF BRASSTECH. ANY USE OR REPRODUCTION IS SUBJECT TO THE EXPRESS APPROVAL OF BRASSTECH. UNAUTHORIZED USE IS STRICTLY PROHIBITED. ALL RIGHTS RESERVED.

TESTING	ASSEMBLY	PLATING	POLISHING	MACHINING	TOOLING FIXTURE #	REMOVE ALL BURRS AND SHARP EDGES
-	-	-	-	-	-	-
-	-	-	-	-	-	-
-	-	-	-	-	-	-
-	-	-	-	-	-	-
-	-	-	-	-	-	-

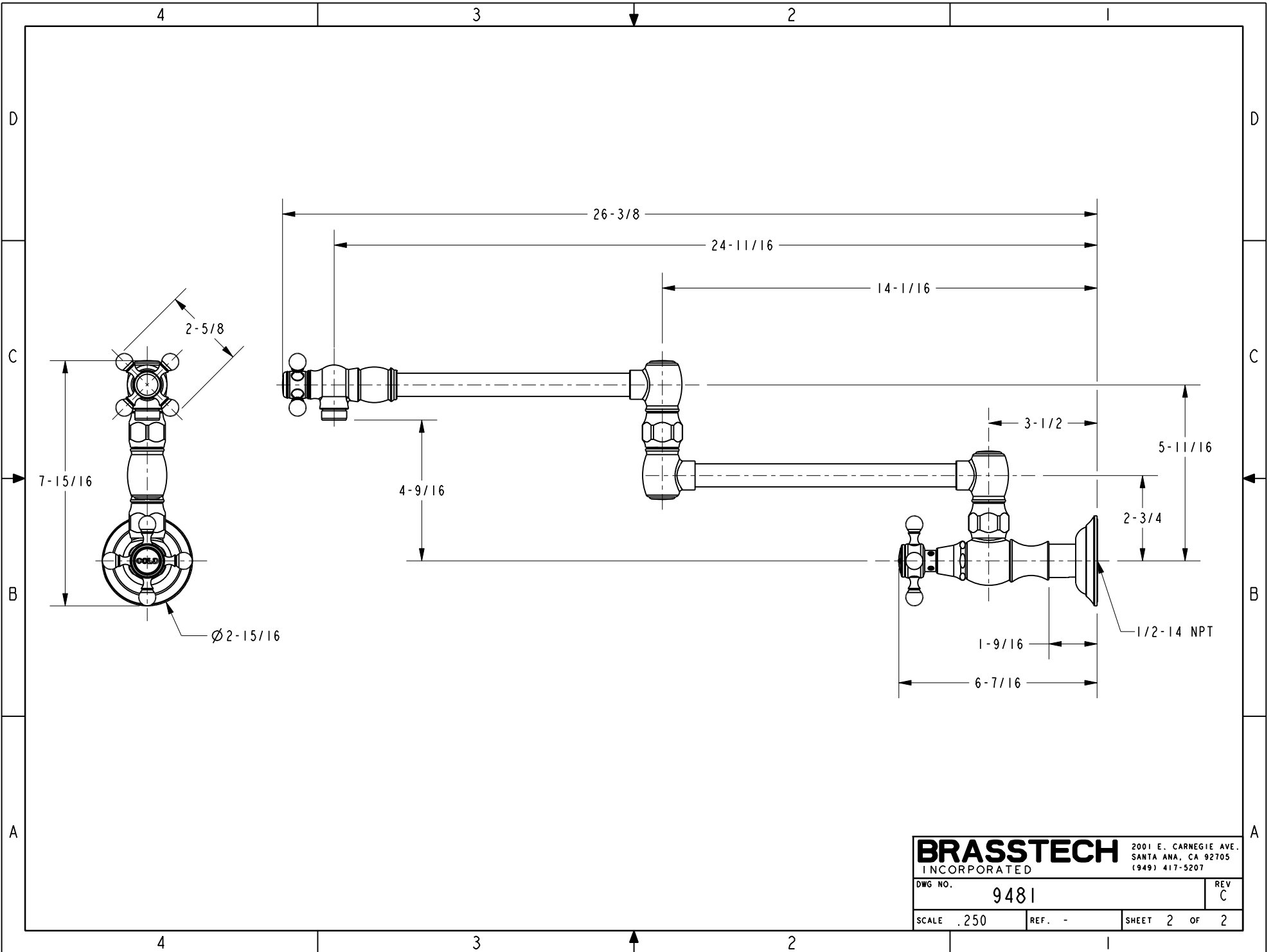
UNITS ARE: INCHES [MM]	TOLERANCES ARE:	FRACTIONS	DECIMALS	ANGLES
±1/16"	.X ±.1 [2.5]	±1°	.XX ±.06 [1.5]	
X.XXX DENOTES CRITICAL DIMS. ALL THREADS ARE CRITICAL				
DRAWN		AMARISH	09/30/15	
CHECKED		JINSON	09/30/15	
APPROVED		RAVINDRA	09/30/15	

BRASSTECH 2001 CARNEGIE AVE. SANTA ANA, CA 92705 (949) 417-5207
INCORPORATED

POT FILLER, WALL, CROSS, TRAD

DWG NO. **9481** REV C

SCALE .230 REF. - SHEET 1 OF 2



BRASSTECH		2001 E. CARNEGIE AVE.	
INCORPORATED		SANTA ANA, CA 92705	
		(949) 417-5207	
DWG NO.	9481	REF.	-
SCALE	.250	SHEET	2 OF 2
		REV	C