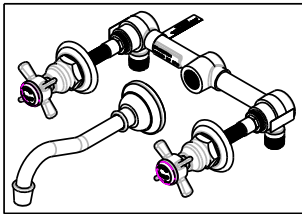
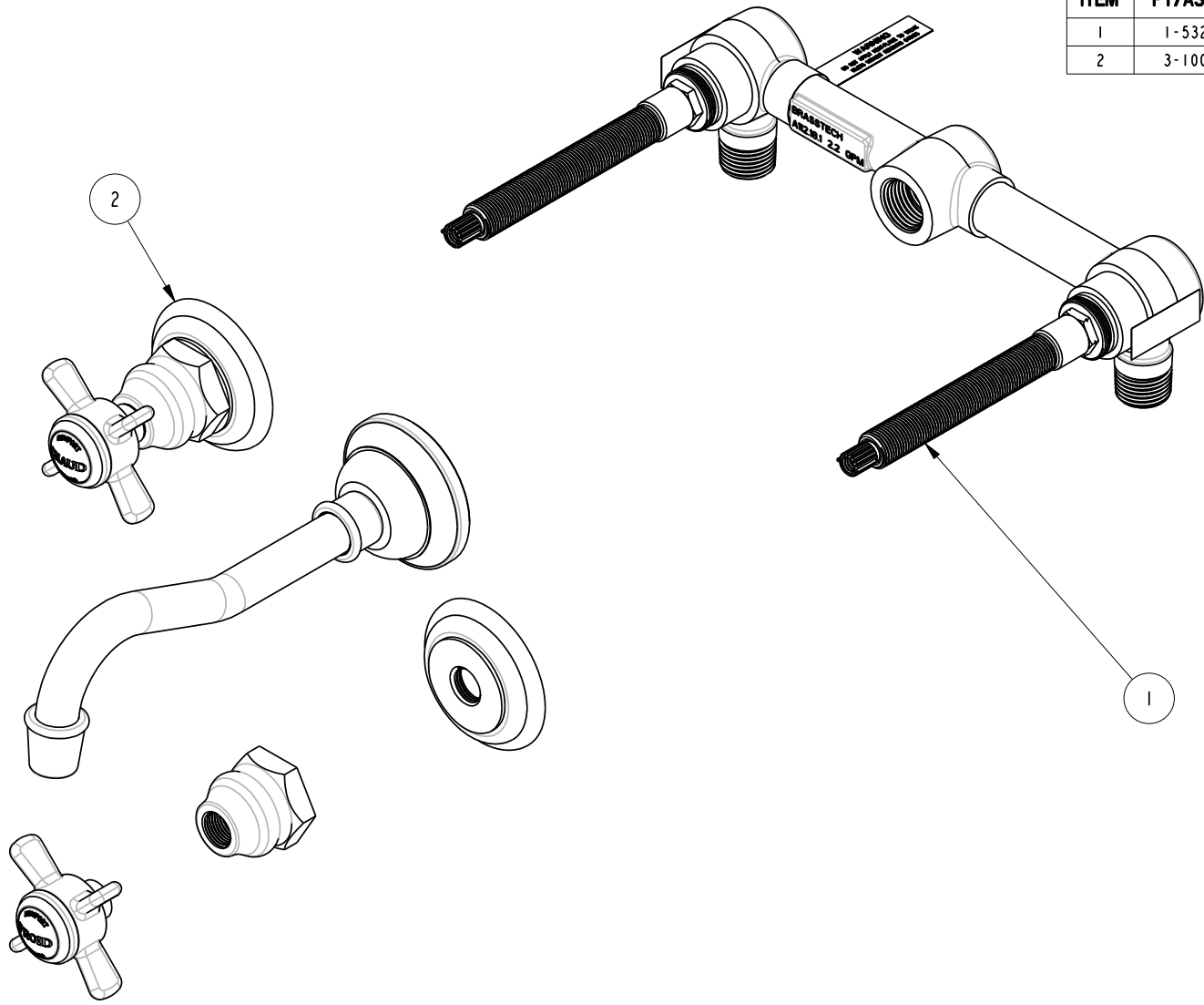


BILL OF MATERIAL (CURRENT LEVEL)				
ITEM	PT/ASSY	DESCRIPTION	TYPE	QTY.
1	1-532C	WALL LAVATORY KIT 1/2" NPT	ASSEMBLY	1
2	3-1003	TRIM KIT 3-1003	ASSEMBLY	1



SCALE 0.125



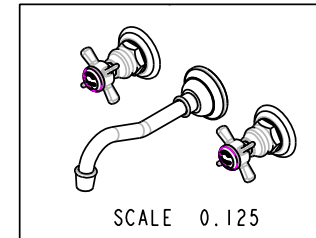
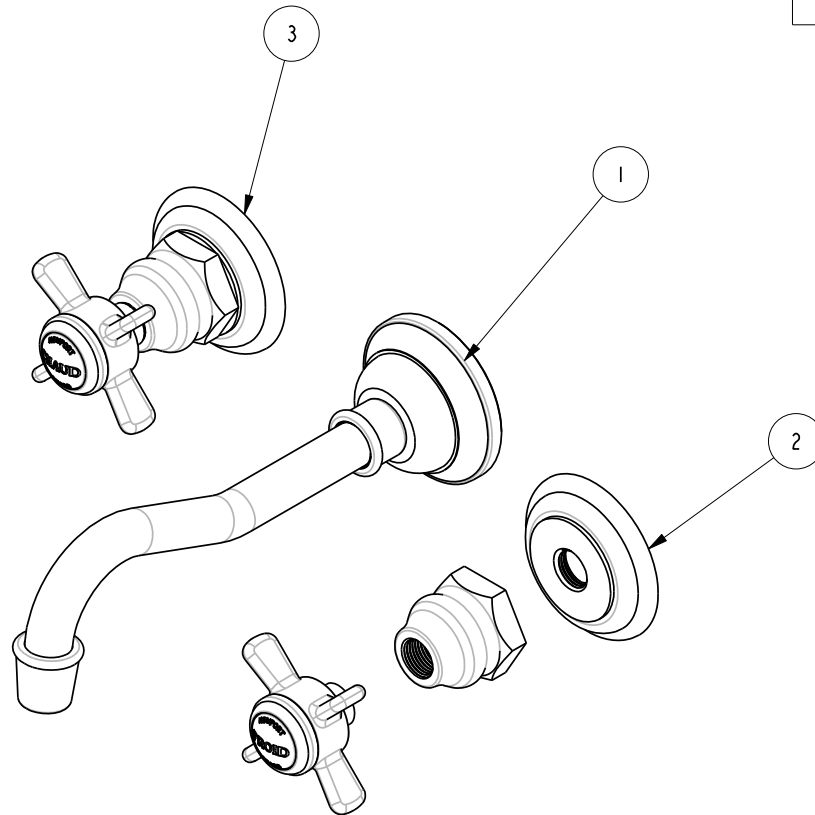
COPYRIGHT 2005 BRASSTECH, INC. THESE DRAWINGS AND THE DESIGNS DEPICTED HEREIN ARE THE PROPRIETARY PROPERTY OF BRASSTECH. ANY USE OR REPRODUCTION IS SUBJECT TO THE EXPRESS APPROVAL OF BRASSTECH. UNAUTHORIZED USE IS STRICTLY PROHIBITED. ALL RIGHTS RESERVED.

BRASSTECH
INCORPORATED
2001 E. CARNEGIE AVE.
SANTA ANA, CA 92705
(949) 417-5207

LAV WALL FAUCET

ASSY. NO.	1003	
SCALE	0.400	REF. -
SHEET	1	OF 3
REV	REV DESC	DATE
B	EO-0460	8/03/06
A	EO-0484	06/24/02
-	RELEASED	04/12/01

BILL OF MATERIAL (CURRENT LEVEL)				
ITEM	PT/ASSY	DESCRIPTION	TYPE	QTY.
1	2-218	SPOUT ASM - LAV IN WALL	ASSEMBLY	1
2	3-230C	HANDLE/ESC ASM - COLD	ASSEMBLY	1
3	3-230H	HANDLE/ESC ASM - HOT	ASSEMBLY	1



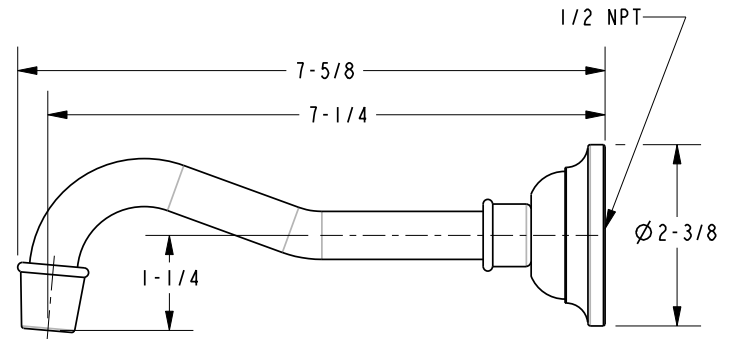
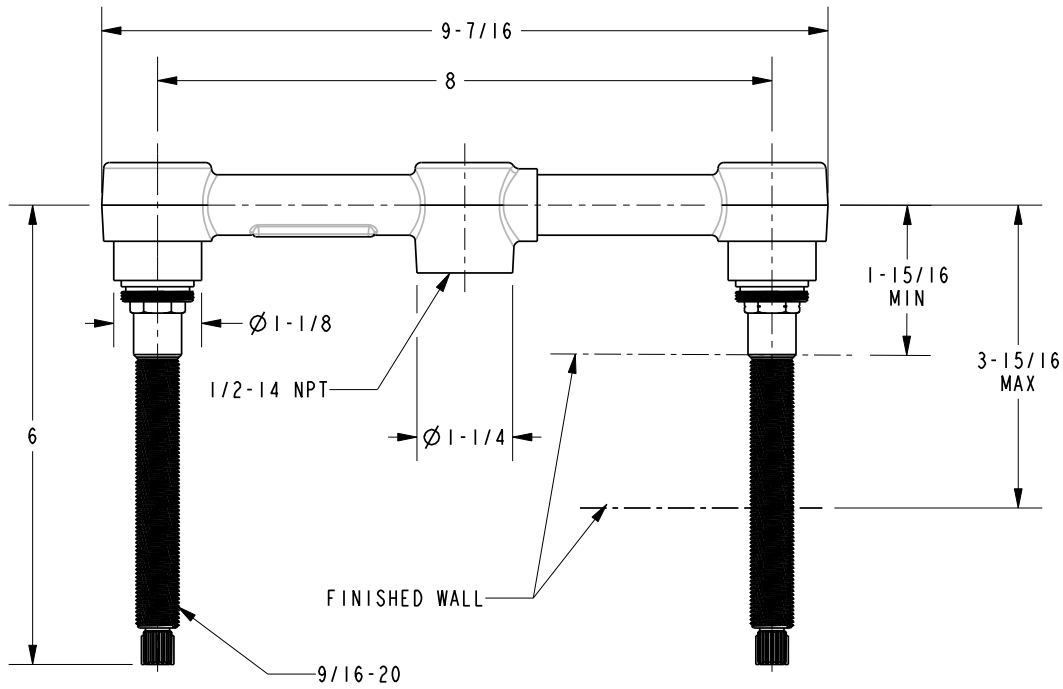
COPYRIGHT 2005 BRASSTECH, INC. THESE DRAWINGS AND THE DESIGNS DEPICTED HEREIN ARE THE PROPRIETARY PROPERTY OF BRASSTECH. ANY USE OR REPRODUCTION IS SUBJECT TO THE EXPRESS APPROVAL OF BRASSTECH. UNAUTHORIZED USE IS STRICTLY PROHIBITED. ALL RIGHTS RESERVED.

BRASSTECH
INCORPORATED
2001 E. CARNEGIE AVE.
SANTA ANA, CA 92705
(949) 417-5207

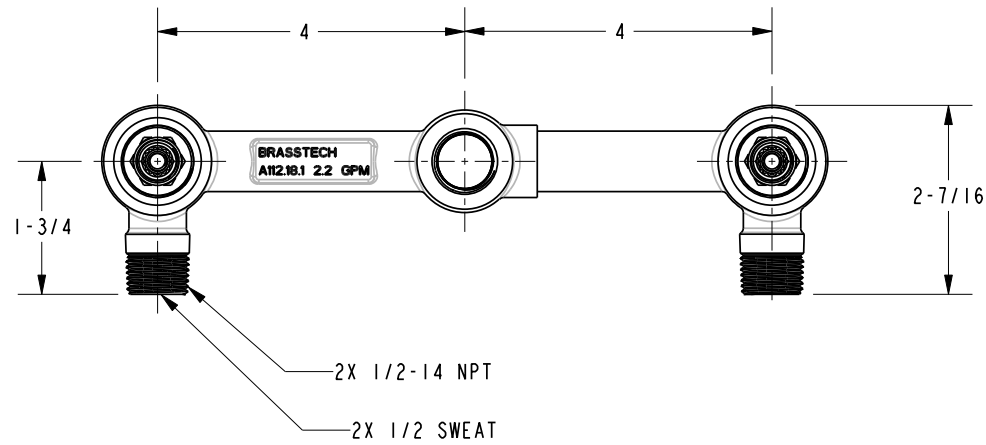
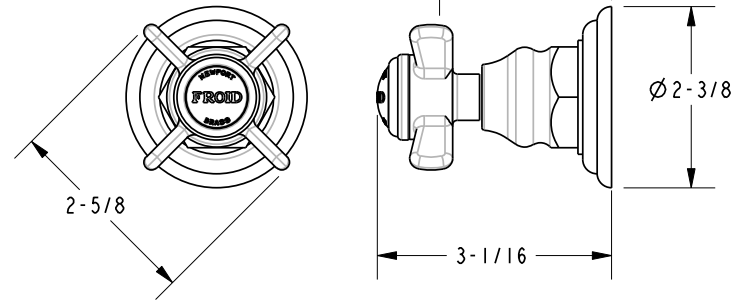
TRIM KIT 3-1003

ASSY. NO.	1003	
SCALE 0.400	REF. -	SHEET 2 OF 3
REV	REV DESC	DATE
B	EO-0640	8/04/06
A	EO-0484	6/24/02
-	RELEASED	4/13/01

SPECIFICATION DWG



2-1/4
AMOUNT OF STEM
REQUIRED FROM
FINISHED WALL



DIMENSIONS ARE IN INCHES AND AN APPROXIMATION OF A TYPICAL INSTALLATION

COPYRIGHT 2005 BRASSTECH, INC. THESE DRAWINGS AND THE DESIGNS DEPICTED HEREIN ARE THE PROPRIETARY PROPERTY OF BRASSTECH. ANY USE OR REPRODUCTION IS SUBJECT TO THE EXPRESS APPROVAL OF BRASSTECH. UNAUTHORIZED USE IS STRICTLY PROHIBITED. ALL RIGHTS RESERVED.

BRASSTECH		2001 E. CARNEGIE AVE.
INCORPORATED		SANTA ANA, CA 92705
		(949) 417-5207
DWG NO.	1003	REV B
SCALE 0.400	REF. -	SHEET 3 OF 3