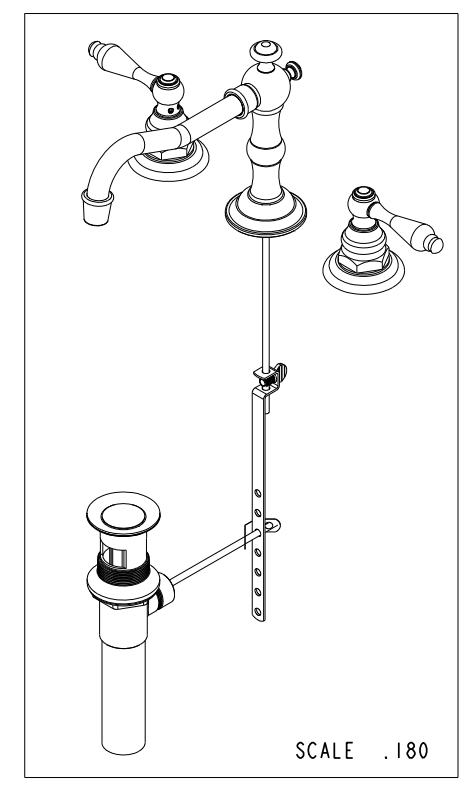


BILL OF MATERIAL (CURRENT LEVEL)

ITEM	PT/ASSY	DESCRIPTION	TYPE	QTY.
1	10288	3/16" POP UP ROD	PART	1
2	10048	ESCUTCHEON W/S VALVE	PART	2
3	10523	HEX ESCUTCHEON BONNET	PART	2
4	2-116	LEVER HANDLE (BRASS)	ASSEMBLY	2
5	91231	O-RING, #2-136, EPDM, 65-75 DURO	PART	2
6	325	POP UP ASSEMBLY	ASSEMBLY	1
7	10289	POP-UP KNOB	PART	1
8	1-601	W/S VALVE ASSY (COLD)	ASSEMBLY	1
9	1-600	W/S VALVE ASSY (HOT)	ASSEMBLY	1
10	3-360	WIDE SPREAD SPOUT ONLY	ASSEMBLY	1



COPYRIGHT 2005 BRASSTECH, INC. THESE DRAWINGS AND THE DESIGNS DEPICTED HEREIN ARE THE PROPRIETARY PROPERTY OF BRASSTECH. ANY USE OR REPRODUCTION IS SUBJECT TO THE EXPRESS APPROVAL OF BRASSTECH. UNAUTHORIZED USE IS STRICTLY PROHIBITED. ALL RIGHTS RESERVED.

BRASSTECH
INCORPORATED
2001 E. CARNEGIE AVE.
SANTA ANA, CA 92705
(949) 417-5207

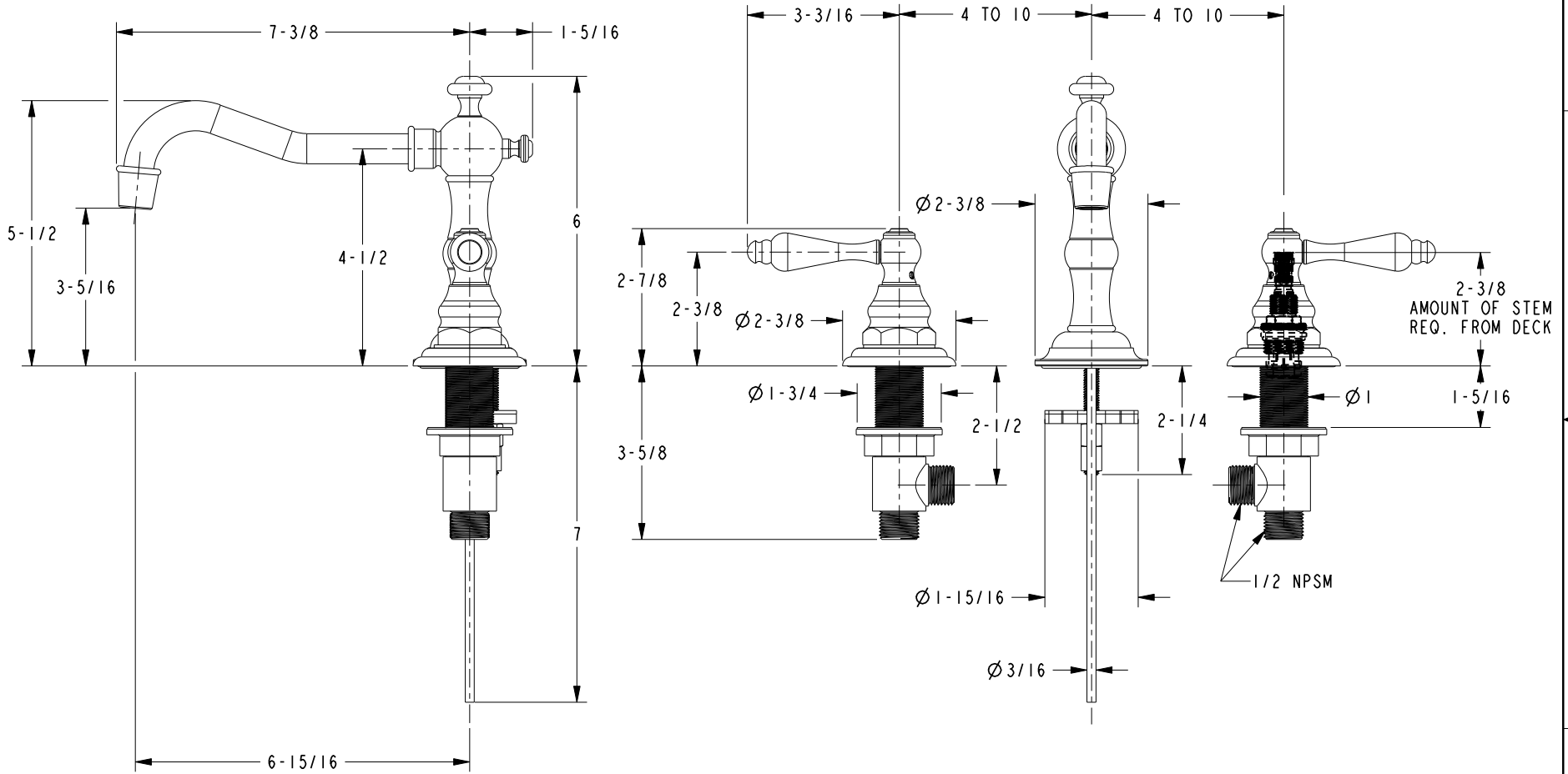
WIDESPREAD FAUCET

ASSY. NO. **930L**

SCALE .230	REF. -	SHEET 1 OF 2	REV	REV DESC	DATE
------------	--------	--------------	-----	----------	------

C	EN-2334	12/19/12
B	EO-1051	07/28/08
A	EO-1036	06/23/08

SPECIFICATION DWG



DIMENSIONS ARE IN INCHES AND AN APPROXIMATION OF A TYPICAL INSTALLATION

COPYRIGHT 2005 BRASSTECH, INC. THESE DRAWINGS AND THE DESIGNS DEPICTED HEREIN ARE THE PROPRIETARY PROPERTY OF BRASSTECH. ANY USE OR REPRODUCTION IS SUBJECT TO THE EXPRESS APPROVAL OF BRASSTECH. UNAUTHORIZED USE IS STRICTLY PROHIBITED. ALL RIGHTS RESERVED.

BRASSTECH 2001 CARNEGIE AVE.
INCORPORATED SANTA ANA, CA 92705
(949) 417-5207

DWG NO.	930L	REV	
SCALE	.300	REF.	-
SHEET	2	OF	2