

Features

- Solid brass construction
- Brass valve bodies
- Quarter-turn washerless ceramic disc valve cartridges
- Two-valve, inlet/outlet flow control design
- ADA compliant traditional lever handles
- Double-pivot spout with aerated flow
- 14-7/16" (36.7 cm) spout height
- 21-3/16" (53.8 cm) pivoting spout reach from inlet valve (c-c)
- For single hole, deck-mounted configurations

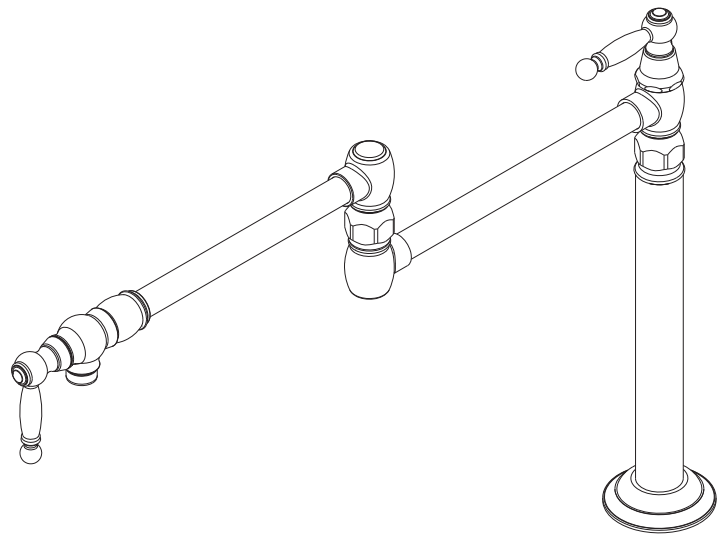
Codes / Standards Compliance

Meets or exceeds the following at date of manufacture:

- ASME A112.18.1/CSA B125.1
- IAPMO/cUPC
- IPC
- NSF 61
- ADA
- ICC/ANSI A117.1
- All applicable US Federal and State material regulations

Deck-Mounted Pot-Filler Faucet

9484



Colors / Finishes

- 10B: Oil Rubbed Bronze
- 15: Polished Nickel
- 15S: Satin Nickel
- 26: Polished Chrome
- Other: Refer to the Newport Brass catalog for additional color/finish options.

Specified Model

Model	Description	Colors / Finishes
9484	Deck-Mounted Pot-Filler Faucet	<input type="checkbox"/> 10B <input type="checkbox"/> 15 <input type="checkbox"/> 15S <input type="checkbox"/> 26 <input type="checkbox"/> Other

Product Specification:

Add "Color / Finish" suffix to Model number, below.

The Pot-Filler Faucet shall be made of solid brass construction. Faucet shall incorporate a double-pivot spout with aerated flow and a feature brass valve bodies with quarter-turn washerless ceramic disc valve cartridges. Pot-filler Faucet shall be a two-valve, inlet/outlet flow control design accommodating single-hole, deck-mounted configurations. Product shall incorporate a 14-7/16" (36.7 cm) spout height and a 21-3/16" (53.8 cm) pivoting spout reach from inlet valve (c-c). Faucet shall incorporate ADA compliant traditional lever handles. Pot-Filler Faucet shall be Newport Brass Model 9484/_____ .

9484

Product Dimensions *(units are in inches)*

