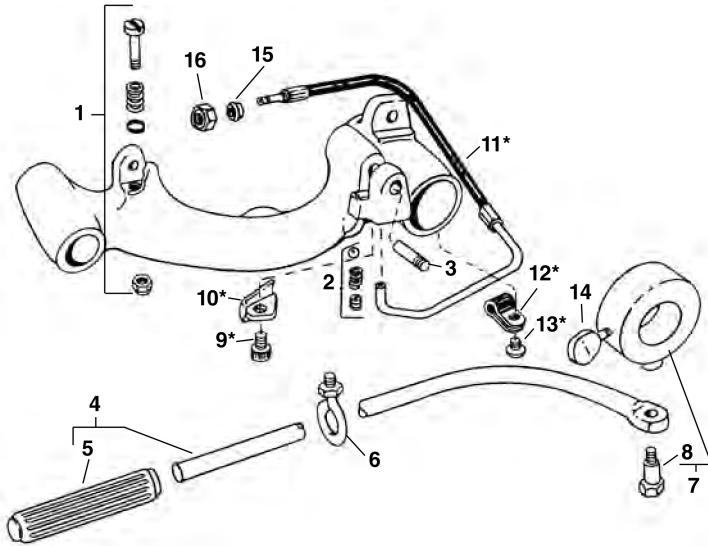


No. 311 Carriage w/Lever (200, 300 Power Drive)
No. 311A Carriage w/Lever (300A, 304 Retrofit)

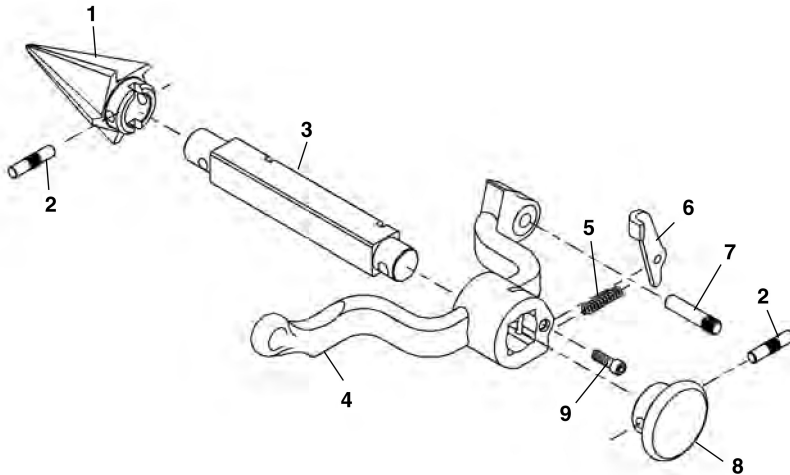
311
311A
341
360

**NOTE: Order parts by Catalog Number only.
 DO NOT order by Reference Number.**



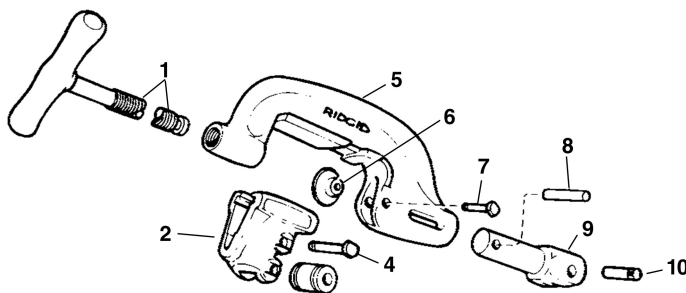
Ref. No.	Catalog No.	Description
—	68815	311 Carriage w/Lever
—	96945	311A Carriage w/Lever
—	42385	312 Lever Kit (incl. Ref. No. 4, 6, 7, 14)
1	45515	Stop Bolt Assembly
2	46810	Detente Assembly
3	47065	Reamer Hinge Pin
4	43400	Lever Arm Assembly
5	46235	Handgrip
6	46205	Eye Bolt Assembly
7	46215	Collar Assembly
8	46210	Shoulder Bolt
9	96900	Screw
10	96970	Oil Line Cover
11	96965	Hose Assembly
	19336	Hose Assembly (Europe)
12	96895	Clamp
13	96915	Screw
14	46220	Thumbscrew
15	19966	Ferrule
16	19956	Nut

No. 341 Reamer



Ref. No.	Catalog No.	Description
—	42365	341 Reamer Complete
1	36277	Cone (R.H.)
	46660	Cone (L.H. & R.H.)
2	47155	Pin
3	43790	Reamer Bar
4	43230	Reamer Arm
5	44700	Latch Spring
6	46665	Reamer Latch
7	47065	Hinge Pin
8	46585	Reamer Knob
9	46515	Screw 1/4" - 20 x 3/4"

No. 360 Cutter

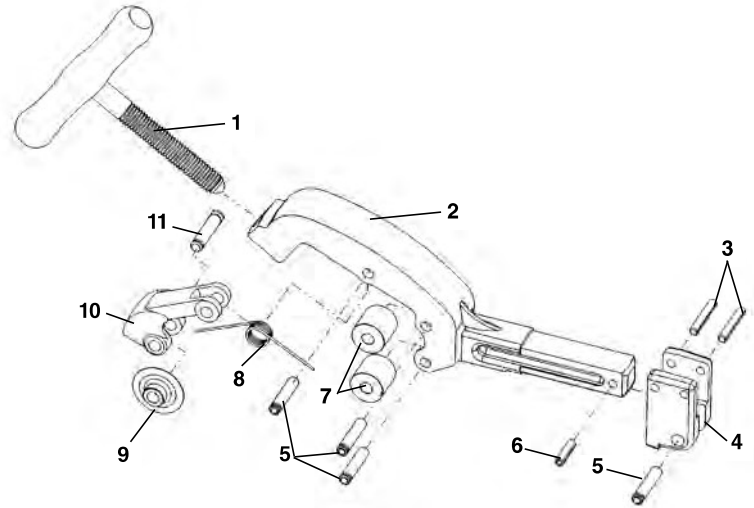


Ref. No.	Catalog No.	Description
—	42370	360 Cutter Complete
1	43625	Screw Handle
2	33400	Roll Housing Assembly
3	34305	Roll (2)
4	34310	Roll Pin (2)
5	43595	Cutter Frame
6	33100	Cutter Wheel Thin
	33105	Cutter Wheel H.D.
	44185	Cutter Wheel Std.
7	34780	Wheel Pin
8	45435	Retaining Pin
9	45505	Support Arm
10	45520	Pin

No. 732 Pipe Cutter

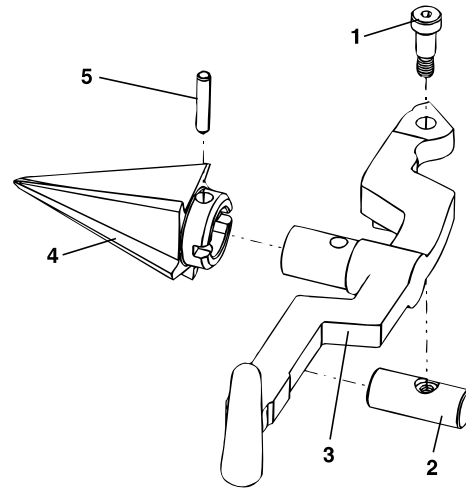
**NOTE: Order parts by Catalog Number only.
DO NOT order by Reference Number.**

Ref. No.	Catalog No.	Description
—	58657	732 Cutter Assembly
1	58607	Handle Assembly
2	58612	Cutter Frame
3	54300	Roll Pin 1/4" x 1 1/2" (2)
4	58627	Support Arm Bracket
5	46662	Roller Pin (4)
6	58090	Roll Pin 1/4" x 1"
7	46960	Roll (2)
8	58617	Torsion Spring
9	44185	Cutter Wheel
10	58622	Wheel Housing
11	34780	Wheel Pin



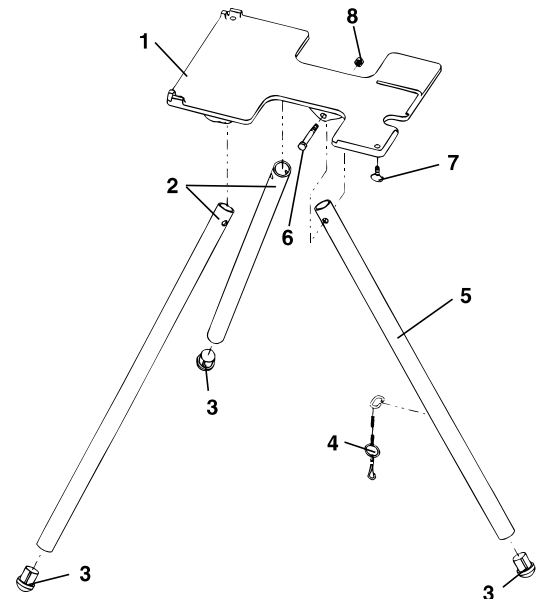
No. 344 Reamer

Ref. No.	Catalog No.	Description
—	34612	344 Reamer Complete
1	36262	Shoulder Screw
2	36267	Pivot Pin
3	36272	Reamer Arm
4	36277	Reamer Cone (R.H.)
	46660	Reamer Cone (L.H. & R.H.)
5	35355	Split Roll Pin



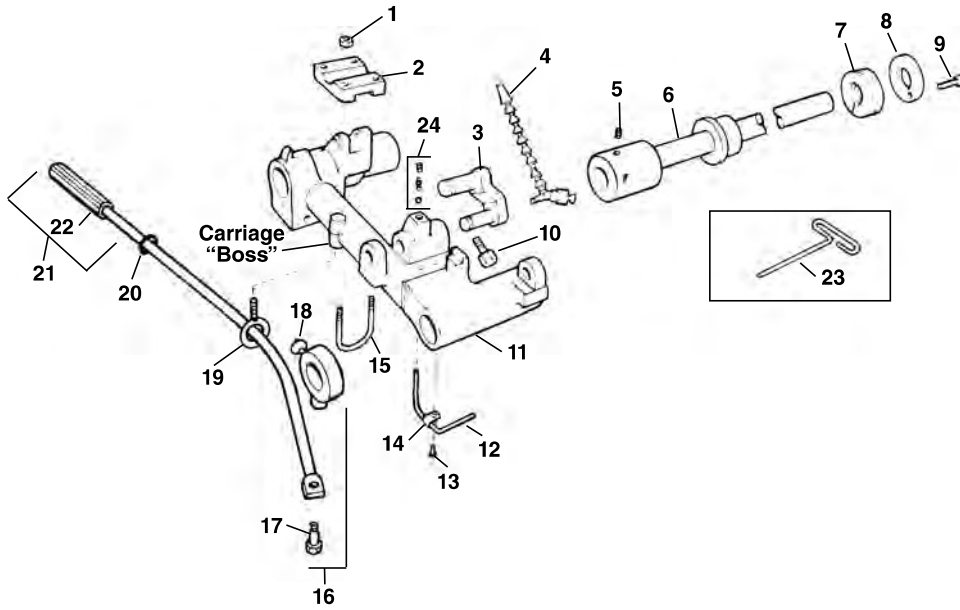
No. 1203 Stand

Ref. No.	Catalog No.	Description
—	61187	1203 Stand
1	61182	Base
2	58637	Front Leg (2)
3	61470	Leg Rest (3)
4	40945	Chain Assembly
5	58412	Rear Leg
6	80045	Screw 3/8" - 16 x 3 1/4" (3)
7	46220	Thumb Screw (3)
8	79985	Lock Nut 3/8" - 16 (3)



No. 241 Carriage Mount Kit Parts

NOTE: Order parts by Catalog Number only. DO NOT order by Reference Number.



Ref. No.	Catalog No.	Description
—	35877	241 Carriage Mount Kit
1	96730	Hex Nut, 5/16" - 18
2	36177	Saddle
3	36182	Connecting Link
4	35277	Coolant Nozzle
5	39775	Set Screw, 5/8" - 11
6	36187	Drive Bar
7	36192	Spring
8	36197	End Cap
9	27357	Cap Screw, 1/4" - 20 x 3/4"
10	35202	Sq. Hd. Set Screw, 1/2" - 13
11	35052	Carriage
12	35067	Oil Supply Line
13	79965	Screw, 10-32 x 1/2"
14	35062	Oil Line Clamp
15	35207	U-Bolt
16	35282	Collar Assembly
17	46210	Shoulder Bolt
18	46220	Thumb Screw
19	35082	Eye Bolt
20	35092	O-Ring
21	43400	Lever Arm Assembly
22	46235	Hand Grip
23	35212	Hex Wrench
24	46810	Detente Assembly

No. 822 Blade Cutter Adapter Kit Parts
307 Oil Spout Assembly

Ref. No.	Catalog No.	Description
—	35872	822 Adapter Kit
—	36602	307 Manifold Kit
1	36137	Cutter Arm (822 Kit Only) (1)
2	39845	Coolant Nozzle (1)
3	44510	Cap Screw 1/4" - 20 x 2" (1)
4	36142	Drip Guard (1)
5	36147	90° Street Elbow (1)
6	36152	Oil Line (3.3 in.) (1)
7	36157	90° Comp. Fitting (2)
8	36162	Oil Line (7.4 in.) (1)
9	36167	3-Way Valve (1)
10	36172	Reducer Bushing (1)
11	83890	Hex Nut, 1/4" - 20 (1)
12	27097	Flat Washer, 1/4" (1)

