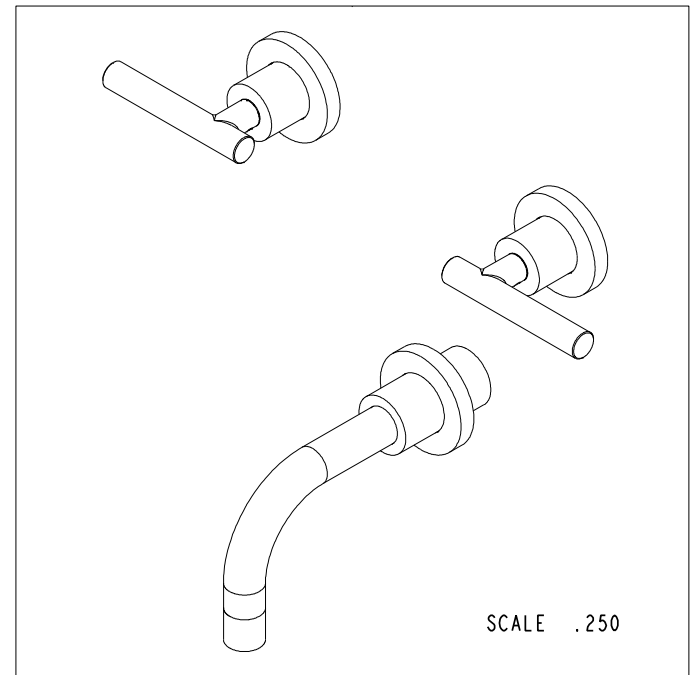
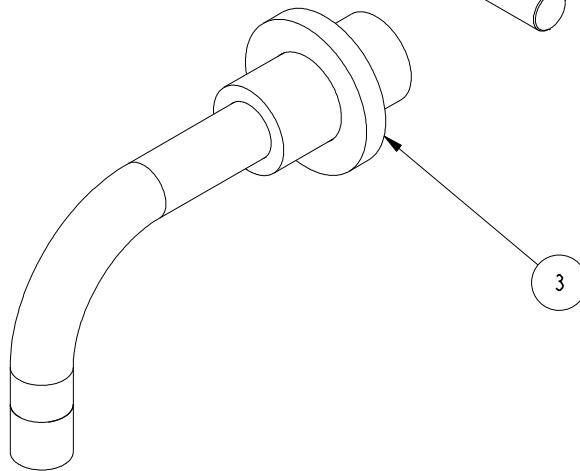
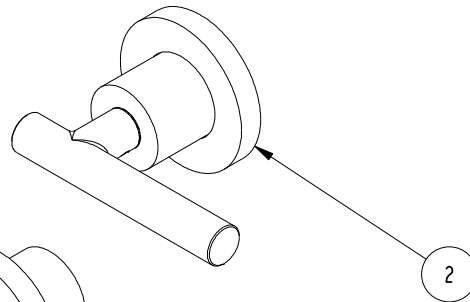
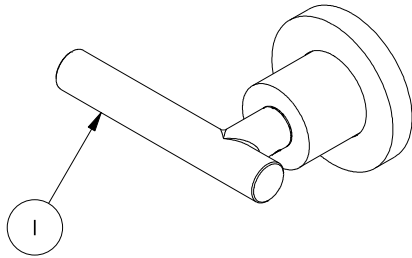


NOTES:

1. TO INSPECT ASSEMBLY, FOLLOW FIRST ARTICLE AND IN PROCESS INSPECTION SHEET.

BILL OF MATERIAL (CURRENT LEVEL)

ITEM	PT/ASSY	DESCRIPTION	TYPE	QTY.
1	3-227LC	HANDLE TRIM ASM - COLD	ASSEMBLY	1
2	3-227LH	HANDLE TRIM ASM - HOT	ASSEMBLY	1
3	3-234	WALL TUB SPOUT ASM	ASSEMBLY	1



ZONE	REV	DESCRIPTION	DATE	APPROVED
-	C	EN-3961-2	05/22/20	R.S.
-	B	EN-3072	06/07/16	R.S.
-	A	EO-0264	09/18/03	-

COPYRIGHT 2005 BRASSTECH, INC. THESE DRAWINGS AND THE DESIGNS DEPICTED HEREIN ARE THE PROPRIETARY PROPERTY OF BRASSTECH. ANY USE OR REPRODUCTION IS SUBJECT TO THE EXPRESS APPROVAL OF BRASSTECH. UNAUTHORIZED USE IS STRICTLY PROHIBITED. ALL RIGHTS RESERVED.

TESTING	ASSEMBLY	PLATING	POLISHING	MACHINING	TOOLING FIXTURE #	APPLICATION
-	-	-	-	-	-	REMOVE ALL BURRS AND SHARP EDGES
-	-	-	-	-	-	-
-	-	-	-	-	-	-
-	-	-	-	-	-	-
-	-	-	-	-	-	-

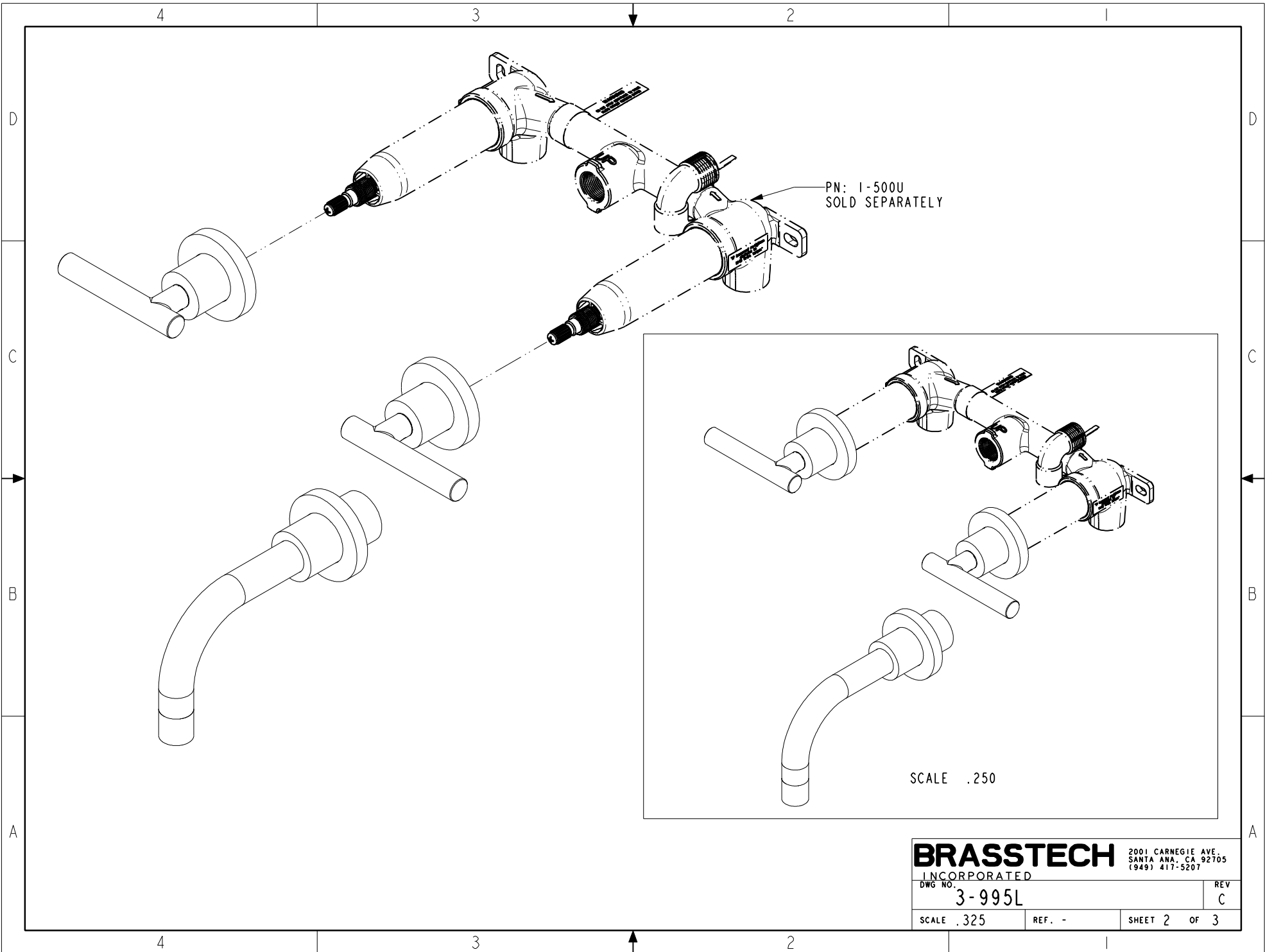
UNITS ARE: INCHES [MM]		
TOLERANCES ARE:		
FRACTIONS	DECIMALS ANGLES	
±1/16"	.X ±.1 [2.5] .XX ±.06 [1.5]	±1°
(X.XXX) DENOTES CRITICAL DIMS. ALL THREADS ARE CRITICAL		
DRAWN	JIMSON 05/22/20	
CHECKED	R.S. 05/22/20	
APPROVED	R.S. 05/22/20	

BRASSTECH 2001 CARNEGIE AVE.
INCORPORATED SANTA ANA, CA 92705
(949) 417-5207

TRIM KIT - TUB SET

DWG NO. **3-995L** REV **C**

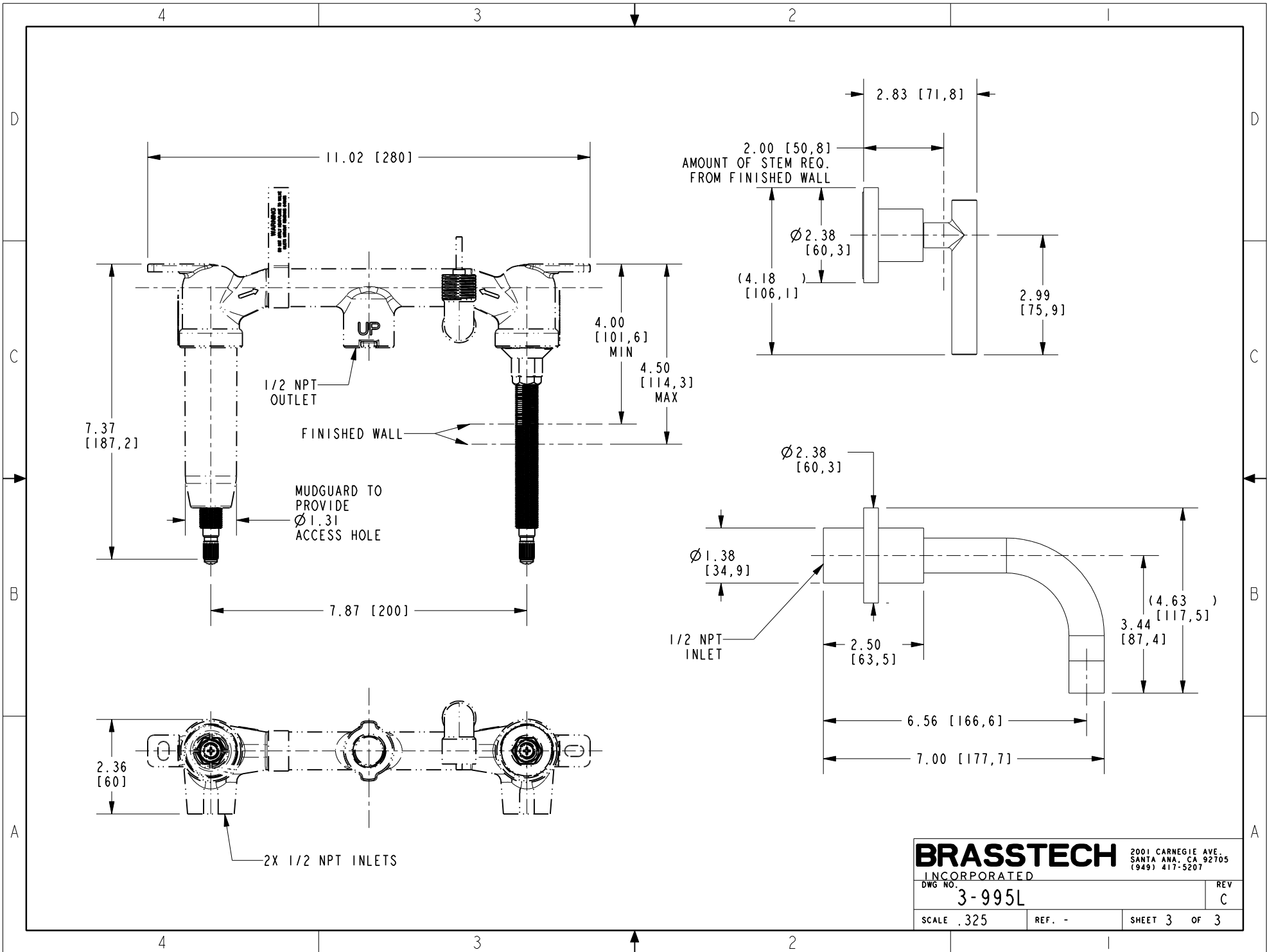
SCALE **.375** REF. - SHEET **1** OF **3**



PN: 1-500U
SOLD SEPARATELY

SCALE .250

BRASSTECH		2001 CARNEGIE AVE. SANTA ANA, CA 92705 (949) 417-5207	
INCORPORATED			
DWG NO.	3-995L	REV	C
SCALE .325	REF. -	SHEET 2	OF 3



BRASSTECH 2001 CARNEGIE AVE.
 INCORPORATED SANTA ANA, CA 92705
 (949) 417-5207

DWG NO.	3-995L	REV	C
SCALE	.325	REF.	-
SHEET 3		OF 3	