



RRRL-B

Parts List
07-April-2015



*This parts list is current as of the above revision date.
See <http://www.rheempartslists.net/92-42800-RRRL-B.pdf> for the current revision.*

Package Gas-Electric

Table of Contents

Model Explanation	Page 3
Parts Numbers	
Panels - Miscellaneous	Page 4
Electrical Group	Page 5
Fan Group	Page 6
Blower Group	Page 6
Coil Parts	Page 7
Compressor Group	Page 7
Heat Exchanger-Burner Group	Page 8
Gas Controls	Page 9
Accessories	Page 9
Orifice Selection Chart	Page 10
Drawings/Photographs	
Exploded View	Page 11
Control Access Panel Detail	Page 12
Electrical Control Box	Page 13
Blower Assembly	Page 14
Evaporator Coil Assembly	Page 15
Condenser Coil	Page 16
Compressor and Refrigeration Components	Page 17
Heat Exchanger Assembly	Page 18
Burner Assembly	Page 19
Notes/Disclaimer	Page 20

MODEL NUMBER EXPLANATION

R	R	R	L	-	B	0	3	6	J	K	10	E	B	V	A
(1)	(2)	(3)	(4)		(5)		(6)		(7)	(8)	(9)	(10)		(11)	

- | | |
|---|---|
| <p>(1) TRADENAME IDENTIFICATION</p> <p>(2) PRODUCT CLASSIFICATION
R = Rooftop</p> <p>(3) EFFICIENCY DESIGNATION</p> <p>(4) DESIGN SERIES</p> <p>(5) TECHNICAL VARIATIONS</p> <p>(6) COOLING CAPACITY (BTU/HR)
024 = 24,000 042 = 42,000
030 = 30,000 048 = 48,000
036 = 36,000 060 = 60,000</p> <p>(7) ELECTRICAL DESIGNATION
J = 208/230V -1 PH - 60 HZ
C = 208/230V -3 PH - 60 HZ</p> | <p>(8) DRIVE PACKAGE
K = Direct Drive</p> <p>(9) HEATING CAPACITY - (MBH)
04 = 40,000
06 = 60,000
08 = 80,000
10 = 100,000</p> <p>(10) IGNITION SYSTEM
E = Electric
X = Electric w/NOX</p> <p>(11) OPTION CODES
Bva = Sideflow W/Stainless Steel Heat Exchanger</p> |
|---|---|

SERIAL NUMBER EXPLANATION

1	R	A	1	2	3	4	A	D	A	A	F	2	6	9	5	0	0	0	1
(1)	(2)		(3)			(4)	(5)	(6)	(7)	(8)	(9)	(10)			(11)				

- | | |
|--|--|
| <p>(1) GAS CODE</p> <p>(2) BLOWER CONTROL BOARD</p> <p>(3) COMPRESSOR IDENTIFICATION NUMBER</p> <p>(4) IGNITION DEVICE</p> <p>(5) INDUCER BLOWER</p> <p>(6) HEAT EXCHANGER</p> | <p>(7) TECHNOLOGY VARIATIONS</p> <p>(8) PLANT
F = Fort Smith, AR</p> <p>(9) WEEK</p> <p>(10) YEAR</p> <p>(11) PRODUCTION NUMBER</p> |
|--|--|

No.	Notes	MODEL TECHNICAL VARIATION COOLING CAPACITY	RRRL B 024	RRRL B 036	RRRL B 048	RRRL B 060
PANELS, MISCELLANEOUS PARTS						
1		Front Base Pan	AS-58628-07A	AS-58628-07A	AS-58628-07A	AS-58628-07A
2		Base Rail (2)	AE-58562-03	AE-58562-03	AE-58562-03	AE-58562-03
3		Base Rail (2)	AE-58562-04	AE-58562-04	AE-58562-04	AE-58562-04
4		Back Base Pan	AS-58607-64	AS-58607-64	AS-58607-64	AS-58607-64
5		Blower Shelf	AS-58630-01	AS-58630-01	AS-58630-01	AS-58630-01
6		Blower Shelf Transition	AS-58607-19	AS-58607-19	AS-58607-19	AS-58607-19
7		Divider Panel	AS-58607-03	AS-58607-03	AS-58607-03	AS-58607-03
8		Bulkhead Assembly	AS-58607-55	AS-58607-57	AS-58607-57	AS-58607-57
9		Exhaust Hood	AS-58629-01A	AS-58629-01A	AS-58629-01A	AS-58629-01A
10		Combustion Air Inlet Hood	AE-58599-01	AE-58599-01	AE-58599-01	AE-58599-01
11		Corner Post	AS-58607-40A	AS-58607-46A	AS-58607-46A	AS-58607-46A
12		Blower Access Panel	AS-58607-09A	AS-58607-47A	AS-58607-47A	AS-58607-47A
13		End Panel	AS-58607-04A	AS-58607-48A	AS-58607-48A	AS-58607-48A
14		Supply Cover - Side Option BVA	AS-58607-35A	AS-58607-35A	AS-58607-35A	AS-58607-35A
15		Return Cover - Side Option BVA	AS-58607-34A	AS-58607-34A	AS-58607-34A	AS-58607-34A
16		Top Panel	AS-58607-58A	AS-58607-54A	AS-58607-54A	AS-58607-54A
17		Grille	95-100906-08	95-100906-08	95-100906-08	95-100906-08
18		Filter Access Panel	AS-58607-08A	AS-58607-49A	AS-58607-49A	AS-58607-49A
19		Condenser Louver Panel	AS-58607-61A	AS-58607-56A	AS-58607-56A	AS-58607-56A
20		Center Post	AE-58569-05	AE-58569-07	AE-58569-07	AE-58569-07
21		Control Access Panel	AS-58607-20A	AS-58607-50A	AS-58607-50A	AS-58607-50A
22		Control Box (w/o components)	AE-58597-01	AE-58597-01	AE-58597-01	AE-58597-01
23		Control Box Cover	AE-58598-01	AE-58598-01	AE-58598-01	AE-58598-01
24		Furnace Shelf	AS-58607-11	AS-58607-11	AS-58607-11	AS-58607-11
25		Burner Floor	AE-58594-01	AE-58594-01	AE-58594-01	AE-58594-01
26		Exhaust Transition	AS-58607-36	AS-58607-36	AS-58607-36	AS-58607-36
27		Bulkhead Valve (2)	61-22369-04	61-22369-04	61-22369-04	61-22369-04
28		Bulkhead Valve Locknut (2)	63-22368-01	63-22368-01	63-22368-01	63-22368-01
		Bulkhead Valve Cap (2)	83-100635-01	83-100635-01	83-100635-01	83-100635-01
		Heat Exchanger Tube Support	AE-58590-01	AE-58590-01	AE-58590-01	AE-58590-01
		Grommet - Gas Supply Piping	56-22114-01	56-22114-01	56-22114-01	56-22114-01

No.	Notes	MODEL TECHNICAL VARIATION COOLING CAPACITY ELECTRICAL DESIGNATION	RRRL	RRRL	RRRL	RRRL
			B 024 J	B 036 J	B 048 J	B 060 J
ELECTRICAL GROUP						
31	Stk	Induced Draft Blower w/Gasket	70-23641-01	70-23641-01	70-23641-01	70-23641-01
32	Stk	Comfort Alert Module	42-101504-02	42-101504-02	42-101504-02	42-101504-02
33	Stk	Contactora	42-42728-03	42-42728-03	42-42728-03	42-42728-03
34	Stk	Pressure Switch	42-24335-20	42-24335-20	42-24335-20	42-24335-20
35	Stk	Transformer	46-18788-07	46-18788-07	46-18788-07	46-18788-07
36		Ground Lug	45-19000-01	45-19000-01	45-19000-01	45-19000-01
39		Integrated Furnace Control Board (IFC)	See Gas Controls			
57	Stk	Blower Relay	42-101208-02	42-101208-02	42-101208-02	42-101208-02
73		Capacitor - Compressor/Fan	See Compressor Group			
		Capacitor - Blower Motor	See Blower Group			
74		Start Capacitor	See Compressor Group			
		Start Capacitor Strap	AE-50892-51	AE-50892-51	AE-50892-51	AE-50892-51
75		Start Relay	See Compressor Group			
84		Limit Control - Blower Shelf	See Heat Exchanger-Burner Group			
88		Limit Control - Flame Roll-Out	See Heat Exchanger-Burner Group			
		Compressor Wiring Harness (Line Voltage - Molded Plug)	See Compressor Group			
		Compressor Wiring Harness (Low Voltage - Molded Plug)	See Compressor Group			
		Wiring Harness (IFC) - 9 pin to 9 insulated terminals	AS-102393-02	AS-102393-02	AS-102393-02	AS-102393-02
		Leadwire - from Flame Sensor to 9 pin Wiring Harness Plug	45-25323-02	45-25323-02	45-25323-02	45-25323-02
		Wiring Harness (ECM Motor) - 16 pin to 16 pin insulated terminals	45-24258-10	45-24258-10	45-24258-10	45-24258-10
		Wiring Harness (ECM Motor) - 5 pin insulated terminals to two quick connect and one ring terminal.	45-24258-12	45-24258-12	45-24258-12	45-24258-12
	Stk	ECM Interface Control Board (In Blower Compartment)	62-24340-03	62-24340-03	62-24340-03	62-24340-03
		Capacitor Adaptor Plate (2 in. round capacitor)	AE-54609-01	AE-54609-01	AE-54609-01	AE-54609-01
		Capacitor Adaptor Plate (2 in. X 1-1/4 in. oval capacitor)	AE-54609-02	AE-54609-02	AE-54609-02	AE-54609-02

No.	Notes	MODEL TECHNICAL VARIATION COOLING CAPACITY ELECTRICAL DESIGNATION	RRRL	RRRL	RRRL	
			B 036 C	B 048 C	B 060 C	
ELECTRICAL GROUP						
31	Stk	Induced Draft Blower w/Gasket	70-23641-01	70-23641-01	70-23641-01	
32	Stk	Comfort Alert Module	42-101504-03	42-101504-03	42-101504-03	
33	Stk	Contactora	42-22464-01	42-22464-01	42-22464-01	
34	Stk	Pressure Switch	42-24335-20	42-24335-20	42-24335-20	
35	Stk	Transformer	46-18788-07	46-18788-07	46-18788-07	
36		Ground Lug	45-19000-01	45-19000-01	45-19000-01	
39		Integrated Furnace Control Board (IFC)	See Gas Controls			
57	Stk	Blower Relay	42-101208-02	42-101208-02	42-101208-02	
73	Stk	Capacitor - Fan Only	43-100496-03	43-100496-03	43-100496-12	
		Capacitor - Blower Motor	See Blower Group			
84		Limit Control (On Blower Shelf)	See Heat Exchanger-Burner Group			
88		Limit Control - Flame Roll-Out	See Heat Exchanger-Burner Group			
		Compressor Wiring Harness (Line Voltage - Molded Plug)	See Compressor Group			
		Compressor Wiring Harness (Low Voltage - Molded Plug)	See Compressor Group			
		Wiring Harness (IFC) - 9 pin to 9 insulated terminals	AS-102393-02	AS-102393-02	AS-102393-02	
		Leadwire - from Flame Sensor to 9 pin Wiring Harness Plug	45-25323-02	45-25323-02	45-25323-02	
		Wiring Harness (ECM Motor) - 16 pin to 16 pin insulated terminals	45-24258-10	45-24258-10	45-24258-10	45-24258-10
		Wiring Harness (ECM Motor) - 5 pin insulated terminals to two quick connect and one ring terminal.	45-24258-12	45-24258-12	45-24258-12	45-24258-12
	Stk	ECM Interface Control Board (In Blower Compartment)	62-24340-03	62-24340-03	62-24340-03	
		Capacitor Adaptor Plate (2 in. round capacitor)	AE-54609-01	AE-54609-01	AE-54609-01	
		Capacitor Adaptor Plate (2 in. X 1-1/4 in. oval capacitor)	AE-54609-02	AE-54609-02	AE-54609-02	

No.	Notes	MODEL TECHNICAL VARIATION COOLING CAPACITY ELECTRICAL DESIGNATION	RRRL B 024 J	RRRL B 036 J	RRRL B 048 J	RRRL B 060 J
FAN GROUP						
37	Stk	Fan Motor	51-100998-27	51-100998-27	51-100998-24	51-100998-19
38		Fan Blade	70-101323-21	70-101323-21	70-23594-02	70-23594-02
73	Stk	Capacitor - Compressor/Fan	See Compressor Group			

No.	Notes	MODEL TECHNICAL VARIATION COOLING CAPACITY ELECTRICAL DESIGNATION	RRRL B 036 C	RRRL B 048 C	RRRL B 060 C	
FAN GROUP						
37	Stk	Fan Motor	51-100998-27	51-100998-24	51-100998-19	
38	Stk	Fan Blade	70-101323-21	70-23594-02	70-23594-02	
73	Stk	Capacitor - Fan Motor	43-100496-03	43-100496-03	43-100496-12	

No.	Notes	MODEL TECHNICAL VARIATION COOLING CAPACITY ELECTRICAL DESIGNATION	RRRL B 024 J	RRRL B 036 J	RRRL B 048 J	RRRL B 060 J
BLOWER GROUP						
	Stk	Blower Assembly (Includes items 51-56)	AS-58662-46	AS-58662-45	AS-58662-47	AS-58662-48
51		Housing	AS-58619-01	AS-58619-02	AS-58619-02	N/A
51		Housing w/Wheel	N/A	N/A	N/A	70-100840-02
51a		Transition	N/A	N/A	N/A	AE-102207-05
51b		Transition - Back	N/A	N/A	N/A	AE-102207-06
52	Stk	Blower Wheel	70-20218-01	70-18625-03	70-18625-03	703016
53		Cut-Off	AE-64401-10	AE-64401-06	AE-64401-06	N/A
54	Stk	Blower Motor - ECM	51-24373-08	51-24374-23	51-24375-20	51-24376-22
55		Motor Band	70-19927-01	70-19927-03	70-19927-03	70-19927-03
56		Motor Arm Assembly (3)	70-19929-02	70-19929-09	70-19929-09	70-19929-09
57		Blower Relay	See Electrical Group			
		ECM Interface Control Board (In Blower Compartment)	See Electrical Group			

No.	Notes	MODEL TECHNICAL VARIATION COOLING CAPACITY ELECTRICAL DESIGNATION	RRRL B 036 C	RRRL B 048 C	RRRL B 060 C	
BLOWER GROUP						
	Stk	Blower Assembly (Includes items 51-56)	AS-58662-45	AS-58662-47	AS-58662-48	
51		Housing	AS-58619-02	AS-58619-02	N/A	
51		Housing w/Wheel	N/A	N/A	70-100840-02	
51a		Transition	N/A	N/A	AE-102207-05	
51b		Transition - Back	N/A	N/A	AE-102207-06	
52	Stk	Blower Wheel	70-18625-03	70-18625-03	703016	
53		Cut-Off	AE-64401-06	AE-64401-06	N/A	
54	Stk	Blower Motor - ECM	51-24374-23	51-24375-20	51-24376-22	
55		Motor Band	70-19927-03	70-19927-03	70-19927-03	
56		Motor Arm Assembly (3)	70-19929-09	70-19929-09	70-19929-09	
57		Blower Relay	See Electrical Group			
		ECM Interface Control Board (In Blower Compartment)	See Electrical Group			

No.	Notes	MODEL TECHNICAL VARIATION COOLING CAPACITY	RRRL B 024	RRRL B 036	RRRL B 048	RRRL B 060
COIL GROUP						
CONDENSER COIL:						
61	Stk	Condenser Coil	AS-102390-03	AS-102386-03	AS-102386-03	AS-102386-03
		Distributor - Inner Coil (024, 2 Way/036 - 060, 3 Way)	83-19988-01	83-17467-06	83-17467-06	83-17467-06
		Distributor - Outer Coil (3 Way)	N/A	83-17467-07	83-17467-07	83-17467-07
		Access Valve Body (2)	61-18542-01	61-18542-01	61-18542-01	61-18542-01
		Access Valve Core (2)	61-18551-01	61-18551-01	61-18551-01	61-18551-01
EVAPORATOR COIL:						
62	Stk	Evaporator Coil w/Drain Pan	AS-102660-09	AS-102660-08	AS-102660-01	AS-102660-01
62	Stk	Evaporator Coil w/Drain Pan (Tin Plated)	AS-104668-09	AS-104668-08	AS-104668-01	AS-104668-01
63		Drain Pan Grommet	56-23601-01	56-23601-01	56-23601-01	56-23601-01
64	Stk	Drain Pan	68-23602-02	68-23602-02	68-23602-02	68-23602-02
64a		Drain Trap (Attached to Drain Pan)	68-23603-01	68-23603-01	68-23603-01	68-23603-01
65		Auxiliary Drain Pipe	AE-58611-01	AE-58611-01	AE-58611-01	AE-58611-01
66	Stk	Flowcheck Distributor/Piston Assembly	61-102103-12	61-102104-14	61-102108-17	61-102108-17
67	Stk	TXV	61-102211-01	61-102211-23	61-102211-22	61-102211-25
68		Condensate Shield	AE-101751-01	AE-101751-02	AE-101751-02	AE-101751-02
68a		Condensate Barrier	AE-100544-01	AE-100544-02	AE-100544-02	AE-100544-02

No.	Notes	MODEL TECHNICAL VARIATION COOLING CAPACITY ELECTRICAL DESIGNATION	RRRL B 024 J	RRRL B 036 J	RRRL B 048 J	RRRL B 060 J
COMPRESSOR GROUP						
Compressor ID:			7733	7734	7736	7738
71	Stk	Compressor	55-23156-08S	55-23156-09S	55-23156-10S	55-23156-11S
72		Grommet (4)	56-18518-06	56-18518-06	56-18518-06	56-18518-06
73	Stk	Capacitor - Compressor/Fan	43-26261-44	43-26261-26	43-26271-41	43-101665-30
74		Start Capacitor	43-17075-04	43-17075-04	43-17075-04	43-17075-04
75		Start Relay	42-18282-26	42-18282-26	42-18282-26	42-18282-26
76	Stk	High Pressure Control	47-102290-01	47-102290-01	47-102290-01	47-102290-01
77	Stk,2	Low Pressure Control - See Note 2	47-101529-09	47-101529-09	47-101529-09	47-101529-09
78	Stk	Filter Drier - Liquid Line	83-22755-05	83-22755-05	83-22755-05	83-22755-05
	Stk	Compressor Wiring Harness (Molded Plug)	45-100834-80	45-100834-80	45-100834-80	45-100834-80
	Stk	Compressor Wiring Harness (Low Voltage - Molded Plug)	45-101723-01	45-101723-01	45-101723-01	45-101723-01

No.	Notes	MODEL TECHNICAL VARIATION COOLING CAPACITY ELECTRICAL DESIGNATION	RRRL B 036 C	RRRL B 048 C	RRRL B 060 C	
COMPRESSOR GROUP						
Compressor ID:			7735	7737	7739	
71	Stk	Compressor	55-23156-14S	55-23156-15S	55-23156-13S	
72		Grommet (4)	56-18518-06	56-18518-06	56-18518-06	
76	Stk	High Pressure Control	47-102290-01	47-102290-01	47-102290-01	
77	Stk,2	Low Pressure Control - See Note 2	47-101529-09	47-101529-09	47-101529-09	
78	Stk	Filter Drier - Liquid Line	83-22755-05	83-22755-05	83-22755-05	
	Stk	Compressor Wiring Harness (Line Voltage - Molded Plug)	45-100834-80	45-100834-80	45-100834-80	
	Stk	Compressor Wiring Harness (Low Voltage - Molded Plug)	45-101723-01	45-101723-01	45-101723-01	

No.	Notes	MODEL	RRRL	RRRL	RRRL
		TECHNICAL VARIATION	B	B	B
		HEATING CAPACITY	06	08	10
HEAT EXCHANGER, BURNER / MANIFOLD					
81	Stk	Heat Exchanger (Includes Center Panel and Turbulators)	AS-58632-06	AS-58632-07	AS-58632-08
82		Turbulators	AE-58591-02 (3)	AE-58591-02 (4)	AE-58591-02 (5)
83		Collector Box	AE-58588-01	AE-58588-01	AE-58588-01
		Collector Box Gasket	68-23644-01	68-23644-01	68-23644-01
84	Stk	Limit Control (On Blower Shelf)	47-102436-05 (024)	47-102436-04 (036)	47-102436-03 (048)
84	Stk	Limit Control (On Blower Shelf)	47-102436-04 (036)	47-102436-04 (048)	47-102436-01 (060)
85		NOX Insert Assembly	75-23684-01 (3)	75-23684-01 (4)	75-23684-01 (5)
86		Lower Burner Shield (NOX)	AE-59148-01	AE-59148-01	AE-59148-01
87		Radiation Shield	AE-58595-01	AE-58595-01	AE-58595-01
88	Stk	Limit - Manual Reset (Burner Compartment)	47-22861-02	47-22861-02	47-22861-02
89	Stk	Burner Assembly	AS-60993-03	AS-60993-04	AS-60993-05
90		Burner Support Bracket (2)	AE-61588-02	AE-61588-02	AE-61588-02
91		Burner Support - (Holds Burners between Burner Support Brackets)	AE-102438-01	AE-102438-01	AE-102438-01
92		Manifold Assembly	81-101154-01	81-101154-01	81-101154-01
93		Square Head Plug (Used on Manifold to plug extra holes)	81-23593-01 (2)	81-23593-01 (1)	N/A
94		Burner Orifice - Natural Gas	See Orifice Selection Chart		
94		Burner Orifice - LP	See Orifice Selection Chart		
94		Number of Orifices	(3)	(4)	(5)
95	Stk	Flame Sensor	62-23543-02	62-23543-02	62-23543-02
96	Stk	Ignition Electrode/Cable Assembly	62-23556-01	62-23556-01	62-23556-01
97		Bushing	45-42519-01	45-42519-01	45-42519-01

No.	Notes	MODEL TECHNICAL VARIATION GAS CODE	RRRL B 1R	RRRL B 1S	RRRL B 1X	RRRL B 2A	RRRL B 2G
GAS CONTROLS							
39	Stk	Integrated Furnace Control Board (IFC)	62-23599-02	62-23599-02	62-23599-02	62-23599-02	62-23599-04
	Stk	Gas Valve - Natural Gas	60-105055-01	60-23490-03	60-23490-01	60-24290-01	60-105055-01
	Stk,1	Gas Valve - LP	See Note 1	See Note 1	See Note 1	See Note 1	See Note 1
	Stk	LP Conversion Kit	EP-85H	EP-84W	EP-84W	EP-84W	EP-85H

No.	Notes	MODEL VARIATIONS	RRRL ALL				
OPTIONS AND ACCESSORIES							
		Economizer - Downflow, 3 Position	RXRE-CAA30				
		Economizer - Downflow, Fully Modulating	RXRD-CAM10				
		Economizer - Horizontal Application, 3 Position	RXRE-CCA30				
		Economizer - Horizontal Application, Fully Modulating	RXRD-CCM10				
		Fresh Air Damper - Fixed, 35%	RXRF-FAA1				
		Fresh Air Damper - Motorized, 35%	RXRF-FAB1				
		Low Ambient Control	RXRZ-B01				
		High Pressure Control	RXAB-E01				
		Low Pressure Control	RXAC-C01				
		Dehumidistat	41-25066-02				

PACKAGE EQUIPMENT - ORIFICE SELECTION CHART - NATURAL GAS

CAUTION: Selection of the correct Natural Gas Orifice requires the following information for the specific installation:

- 1) Furnace Input Rating (BTU/HR)
- 2) Number of Burners
- 2) Altitude (ft.)

For detailed information and instructions for Orifice selection, see the Gas Furnace LP Conversion Kit Index 92-21519-47 and the latest edition of the National Fuel Gas Code Handbook, or the National Standard of Canada, Natural Gas and Propane Installation Code, CAN B149.1.

CAUTION: This information is provided for replacement purposes only. Conversion for operation at High Altitude must be done using the kit specified on the product specification sheet for the unit.

NOTE: This Orifice sizing chart is based on a Natural Gas heating value of 1075 BTU/cu. ft and a pressure setting of 3.5 in. water column.

NOTE: Factory installed orifices are calculated and sized based on a Natural Gas heating value of 1075 BTU/cu. ft. and an elevation of 0 - 2000 ft.

Furnace Input Rating (BTU/HR)	Canadian High Altitude Derated Input (BTU/HR)	Number of Burners	Elevation (ft.)					
			Country					
			0 - 2000 U.S.	2001 - 4000 U.S.	4001 - 6000 U.S.	8000+ U.S.	0 - 2000 Canada	2001 - 4500 Canada
40,000	36,000	2	62-22175-45	62-22175-47	62-22175-48	62-22175-49	62-22175-45	62-22175-15
60,000	54,000	3	62-22175-45	62-22175-47	62-22175-48	62-22175-49	62-22175-45	62-22175-15
72,000	N/A	4	62-22175-15	62-22175-49	62-22175-50	62-22175-51	62-22175-15	N/A
80,000	72,000	4	62-22175-45	62-22175-47	62-22175-48	62-22175-49	62-22175-45	62-22175-15
90,000	N/A	5	62-22175-15	62-22175-49	62-22175-50	62-22175-51	62-22175-15	N/A
100,000	90,000	5	62-22175-45	62-22175-47	62-22175-48	62-22175-49	62-22175-45	62-22175-15
120,000	108,000	6	62-22175-45	62-22175-47	62-22175-48	62-22175-49	62-22175-45	62-22175-15
135,000	121,500	6	62-22175-44	62-22175-45	62-22175-47	62-22175-48	62-22175-44	62-22175-45
150,000	135,000	6	62-22175-42	62-22175-43	62-22175-44	62-22175-45	62-22175-42	62-22175-44
180,000	N/A	9	62-22175-45	62-22175-47	62-22175-48	62-22175-49	62-22175-45	N/A
210,000	N/A	9	62-22175-43	62-22175-44	62-22175-45	62-22175-47	62-22175-43	N/A
210,000	N/A	10	62-22175-45	62-22175-47	62-22175-48	62-22175-49	62-22175-45	N/A
225,000	202,500	9	62-22175-42	62-22175-43	62-22175-44	62-22175-45	62-22175-42	62-22175-44
250,000	225,000	10	62-22175-42	62-22175-43	62-22175-44	62-22175-45	62-22175-42	62-22175-44
252,000	225,000	9	62-22175-40	62-22175-42	62-22175-43	62-22175-44	62-22175-40	62-22175-42
252,000	N/A	12	62-22175-45	62-22175-47	62-22175-48	62-22175-49	62-22175-45	N/A
290,000	N/A	14	62-22175-45	62-22175-47	62-22175-48	62-22175-49	62-22175-45	N/A
300,000	270,000	12	62-22175-42	62-22175-43	62-22175-44	62-22175-45	62-22175-42	62-22175-44
330,000	N/A	14	62-22175-43	62-22175-44	62-22175-45	62-22175-47	62-22175-43	N/A
350,000	315,000	14	62-22175-42	62-22175-43	62-22175-44	62-22175-45	62-22175-42	62-22175-44
400,000	360,000	14	62-22175-40	62-22175-42	62-22175-43	62-22175-44	62-22175-40	62-22175-42

PACKAGE EQUIPMENT - ORIFICE SELECTION CHART - LP

CAUTION: Selection of the correct LP Orifice requires the following information for the specific installation:

- 1) Furnace Input Rating (BTU/HR)
- 2) Number of Burners
- 2) Altitude (ft.)

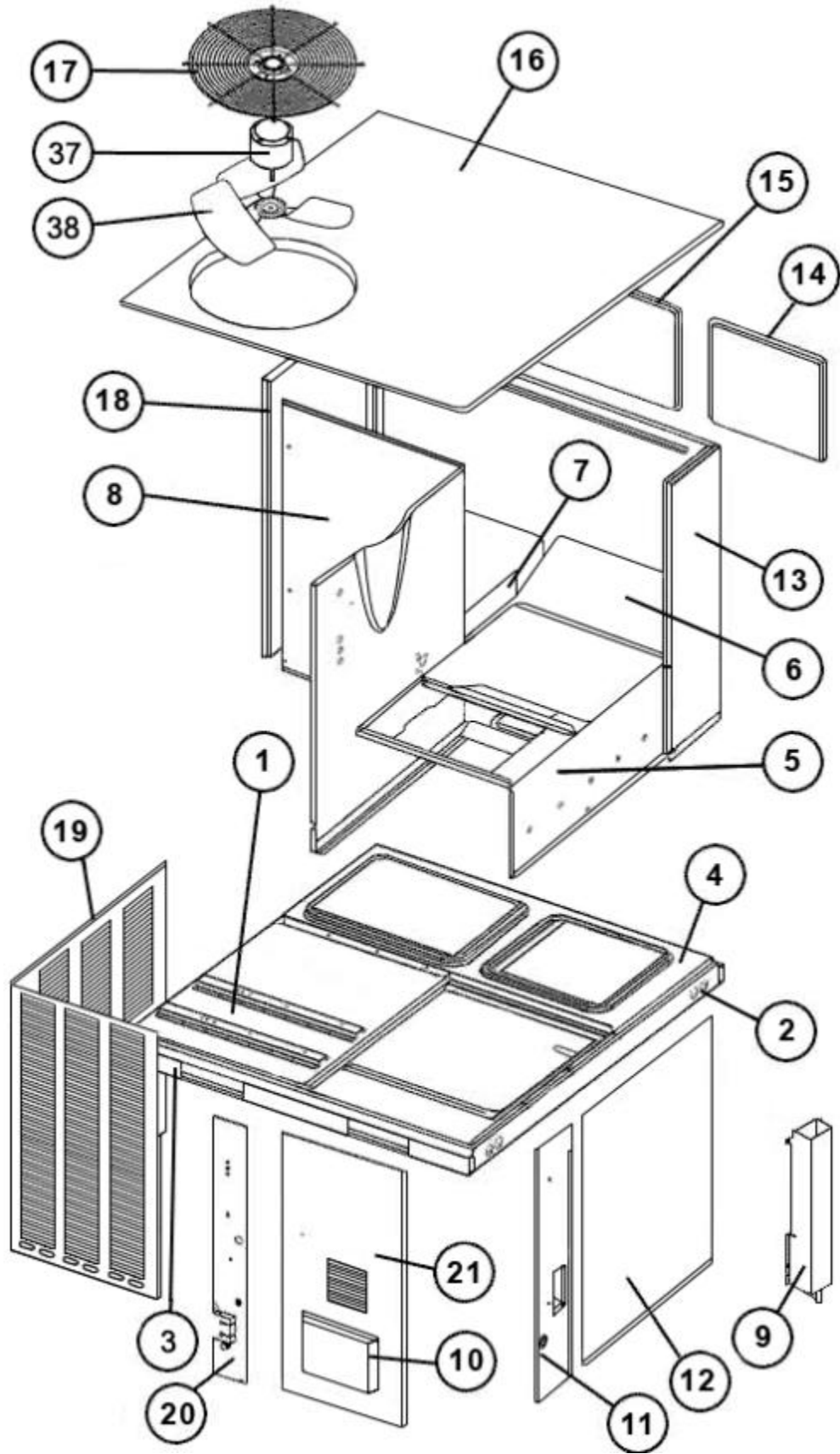
For detailed information and instructions for Orifice selection, see the Gas Furnace LP Conversion Kit Index 92-21519-47 and the latest edition of the National Fuel Gas Code Handbook, or the National Standard of Canada, Natural Gas and Propane Installation Code, CAN B149.1.

CAUTION: This information is provided for replacement purposes only. Conversion to LP or for operation at High Altitude should be done using the kit(s) specified on the product specification sheet for the unit.

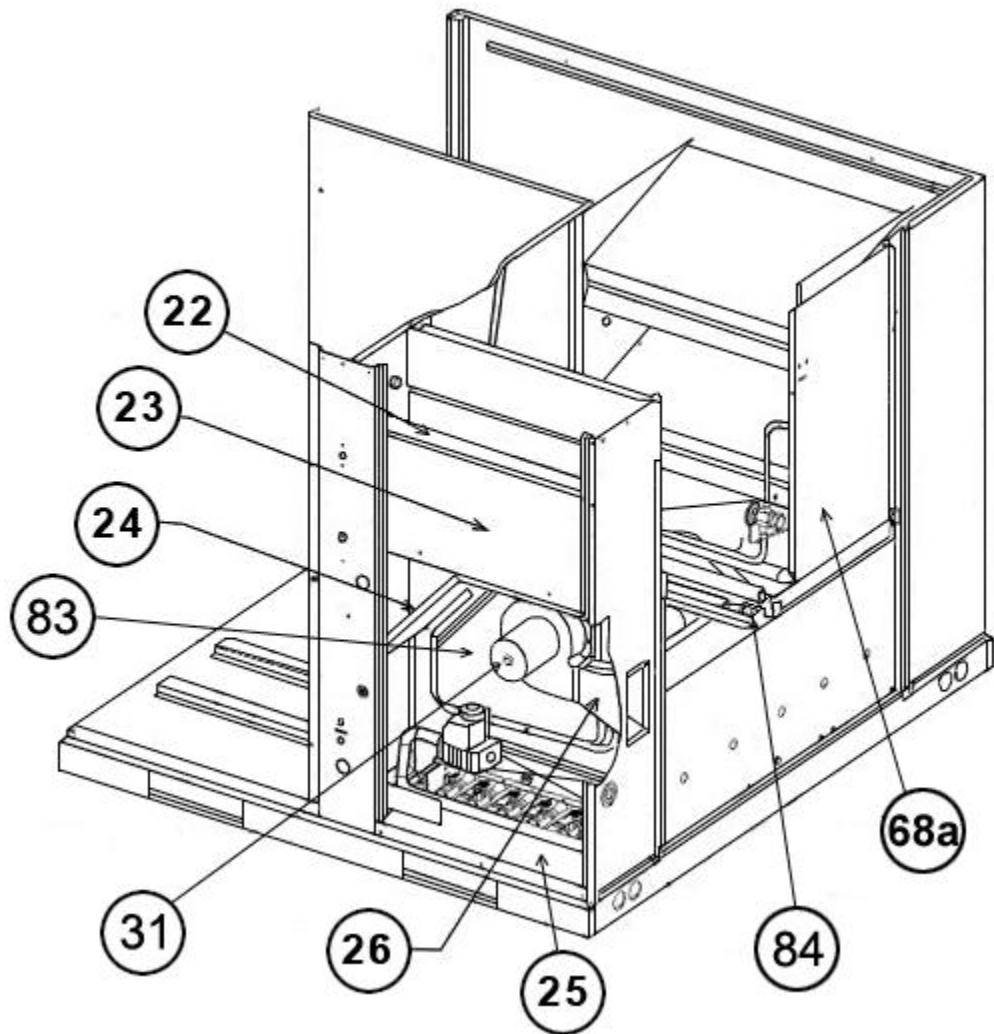
NOTE: This Orifice sizing chart is developed using the specified pressure setting of 10 in. water column instead of the 11.0 in water column used by the NFG and CANB149.1.

NOTE: Orifices supplied in the LP Conversion Kit are calculated and sized based on a heating value of 2500 BTU/cu. ft. and an elevation of 0 - 2000 ft.

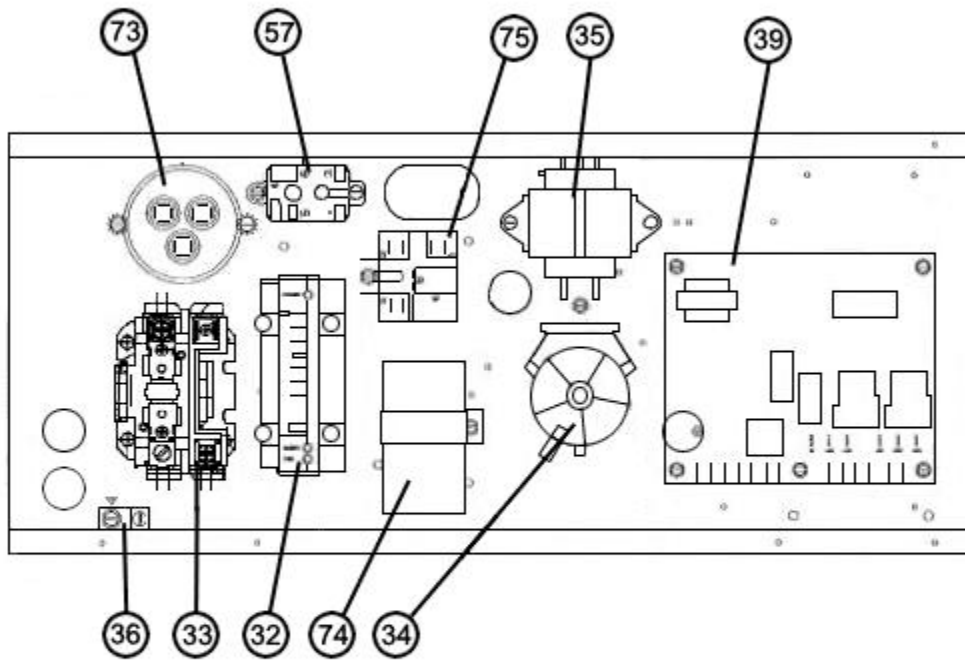
Furnace Input Rating (BTU/HR)	Canadian High Altitude Derated Input (BTU/HR)	Number of Burners	Elevation (ft.)					
			Country					
			0 - 2000 U.S.	2001 - 4000 U.S.	4001 - 6000 U.S.	8000+ U.S.	0 - 2000 Canada	2001 - 4500 Canada
40,000	36,000	2	62-22175-55	62-22175-55	62-22175-56	62-22175-56	62-22175-55	62-22175-13
60,000	54,000	3	62-22175-55	62-22175-55	62-22175-56	62-22175-56	62-22175-55	62-22175-13
72,000	N/A	4	62-22175-13	62-22175-57	62-22175-57	62-22175-59	62-22175-13	N/A
80,000	72,000	4	62-22175-55	62-22175-55	62-22175-56	62-22175-56	62-22175-55	62-22175-13
90,000	N/A	5	62-22175-13	62-22175-57	62-22175-57	62-22175-59	62-22175-13	N/A
100,000	90,000	5	62-22175-55	62-22175-55	62-22175-56	62-22175-56	62-22175-55	62-22175-13
120,000	108,000	6	62-22175-55	62-22175-55	62-22175-56	62-22175-56	62-22175-55	62-22175-13
135,000	121,500	6	62-22175-54	62-22175-55	62-22175-55	62-22175-56	62-22175-54	62-22175-55
150,000	135,000	6	62-22175-54	62-22175-55	62-22175-55	62-22175-56	62-22175-54	62-22175-54
180,000	N/A	9	62-22175-55	62-22175-55	62-22175-56	62-22175-56	62-22175-55	N/A
210,000	N/A	9	62-22175-54	62-22175-55	62-22175-55	62-22175-56	62-22175-54	N/A
210,000	N/A	10	62-22175-55	62-22175-55	62-22175-56	62-22175-56	62-22175-55	N/A
225,000	202,500	9	62-22175-54	62-22175-55	62-22175-55	62-22175-56	62-22175-54	62-22175-54
250,000	225,000	10	62-22175-54	62-22175-55	62-22175-55	62-22175-56	62-22175-54	62-22175-54
252,000	225,000	9	62-22175-53	62-22175-54	62-22175-54	62-22175-55	62-22175-53	62-22175-54
252,000	N/A	12	62-22175-55	62-22175-55	62-22175-56	62-22175-56	62-22175-55	N/A
290,000	N/A	14	62-22175-55	62-22175-55	62-22175-56	62-22175-56	62-22175-55	N/A
300,000	270,000	12	62-22175-54	62-22175-55	62-22175-55	62-22175-56	62-22175-54	62-22175-54
330,000	N/A	14	62-22175-54	62-22175-55	62-22175-55	62-22175-56	62-22175-54	N/A
350,000	315,000	14	62-22175-54	62-22175-55	62-22175-55	62-22175-56	62-22175-54	62-22175-54
400,000	360,000	14	62-22175-53	62-22175-54	62-22175-54	62-22175-55	62-22175-53	62-22175-54



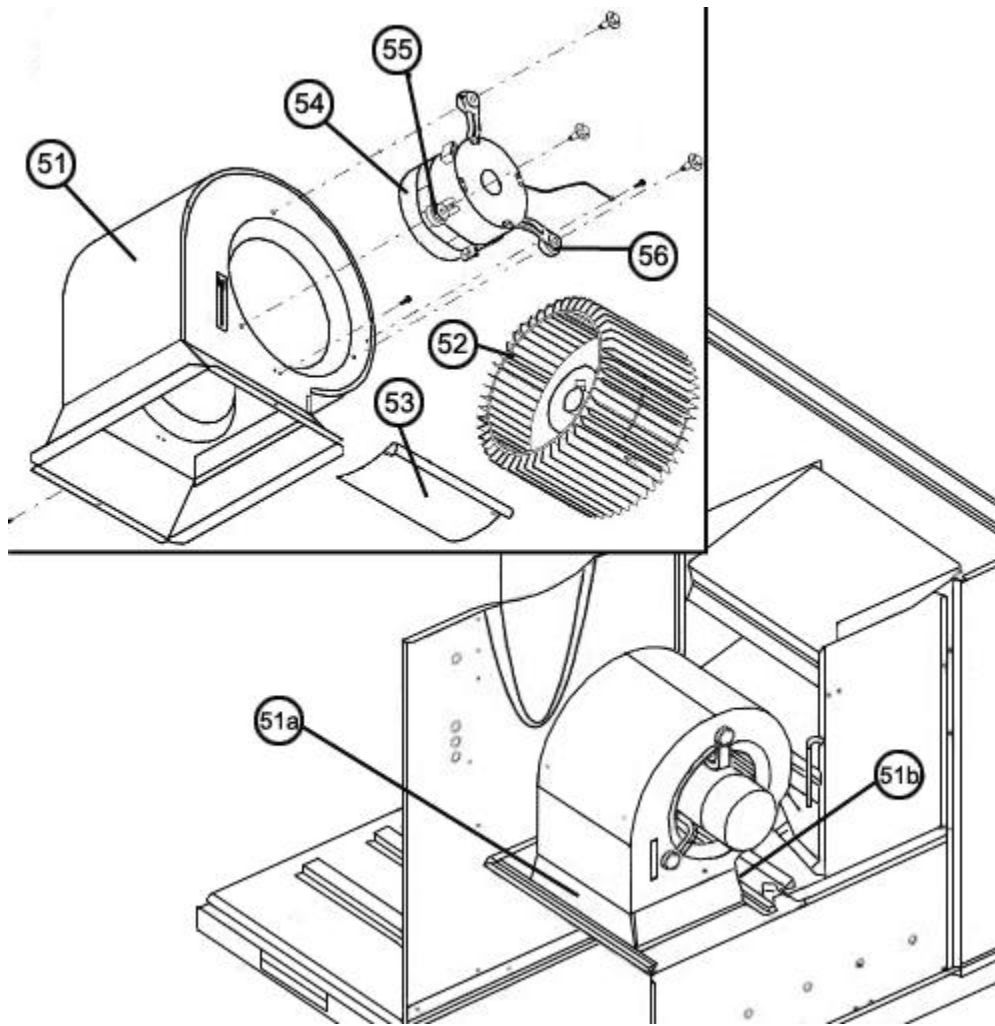
Exploded View



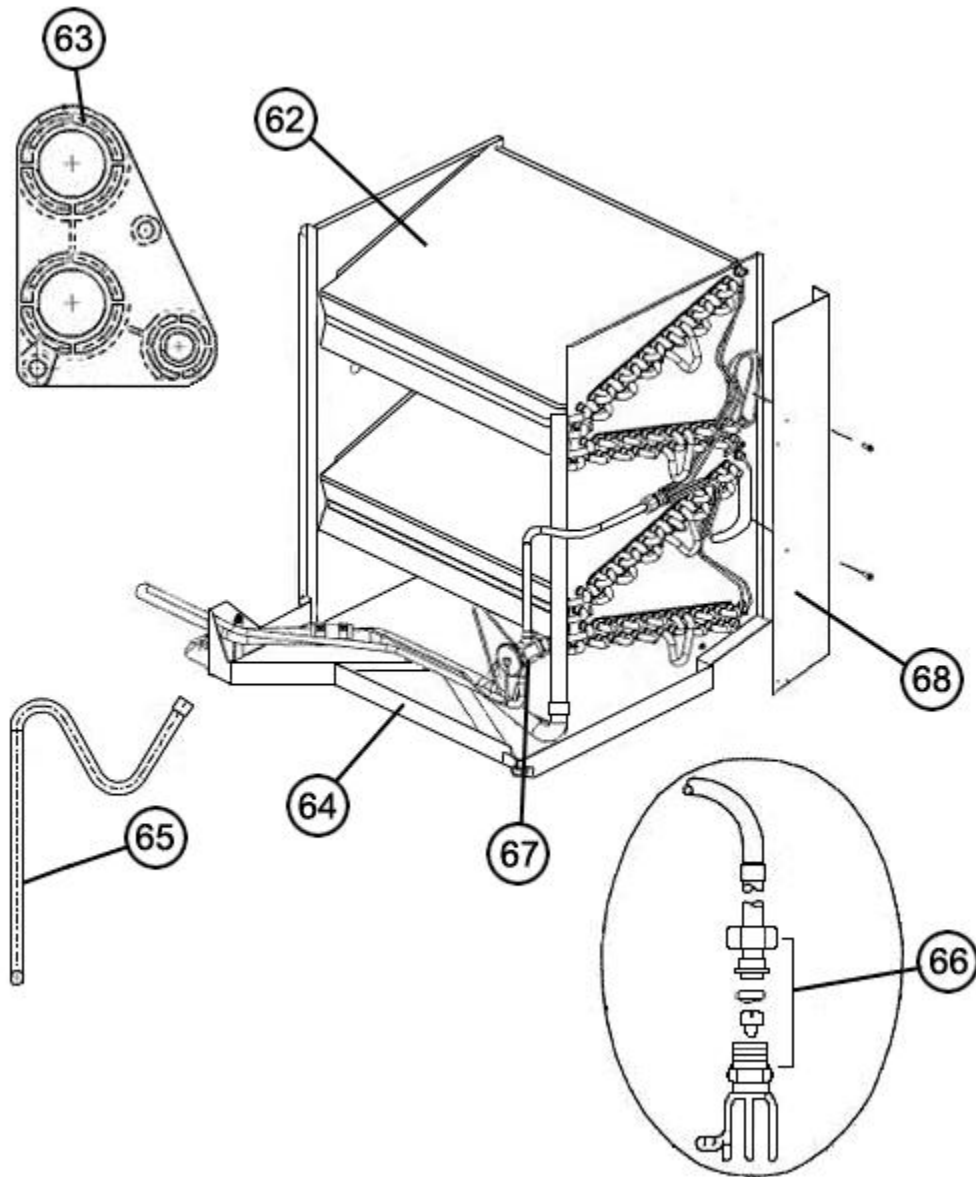
Control Access Panel Detail



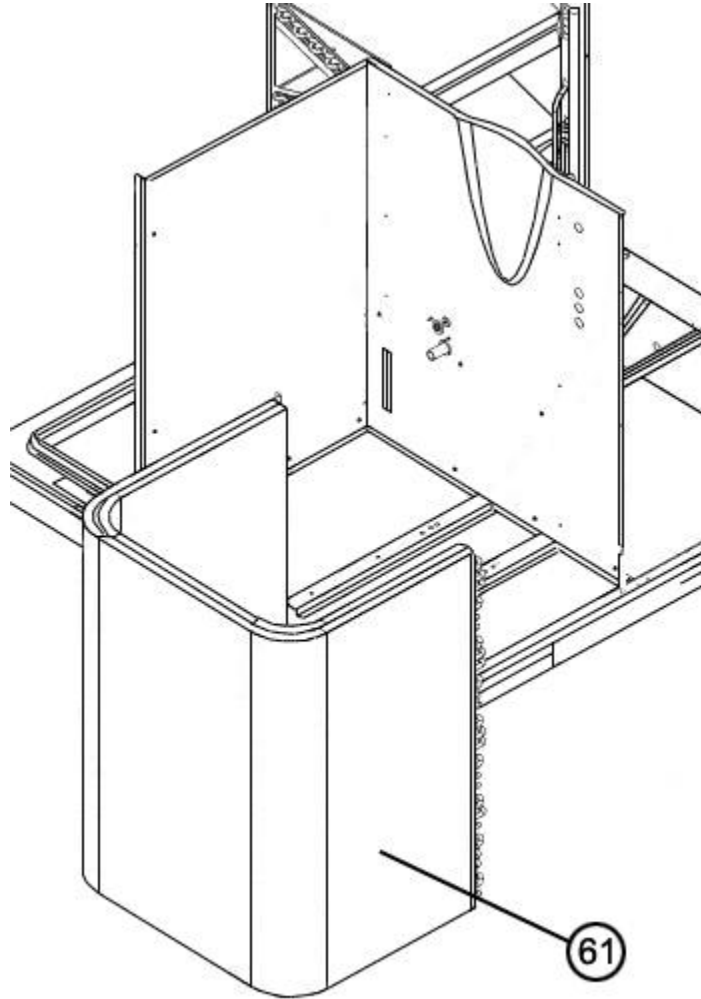
Electrical Control Box



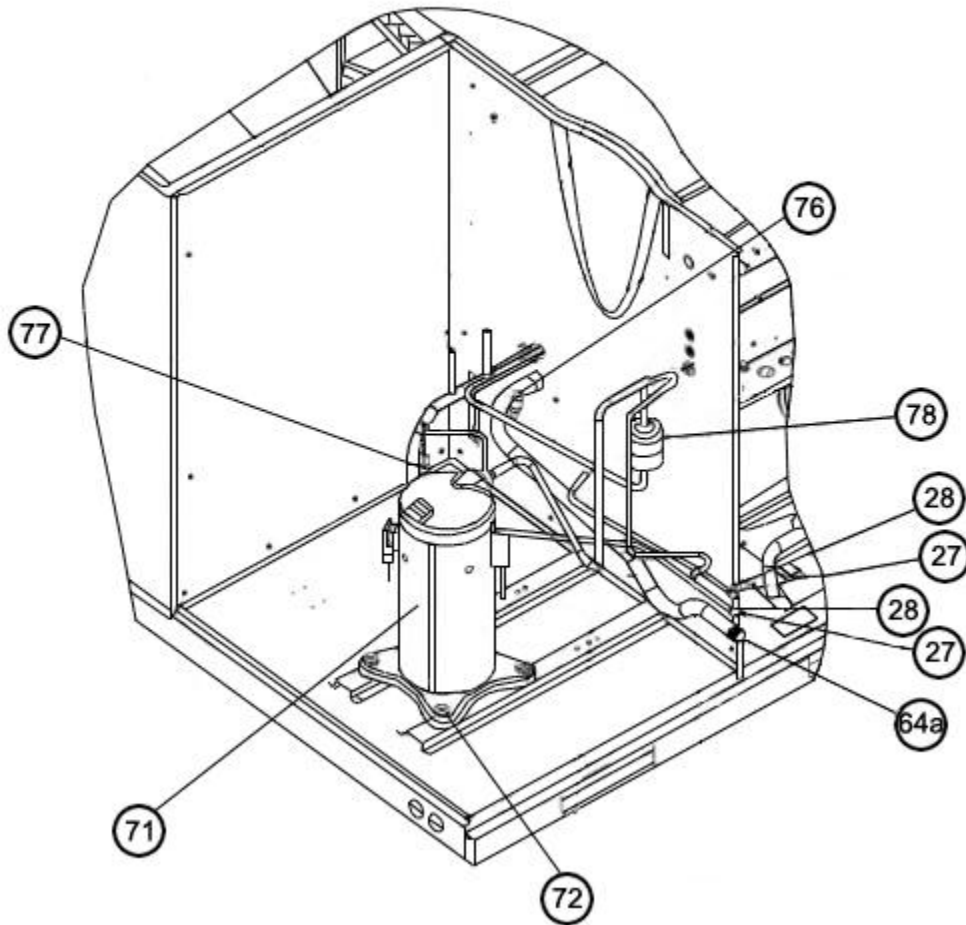
Blower Assembly



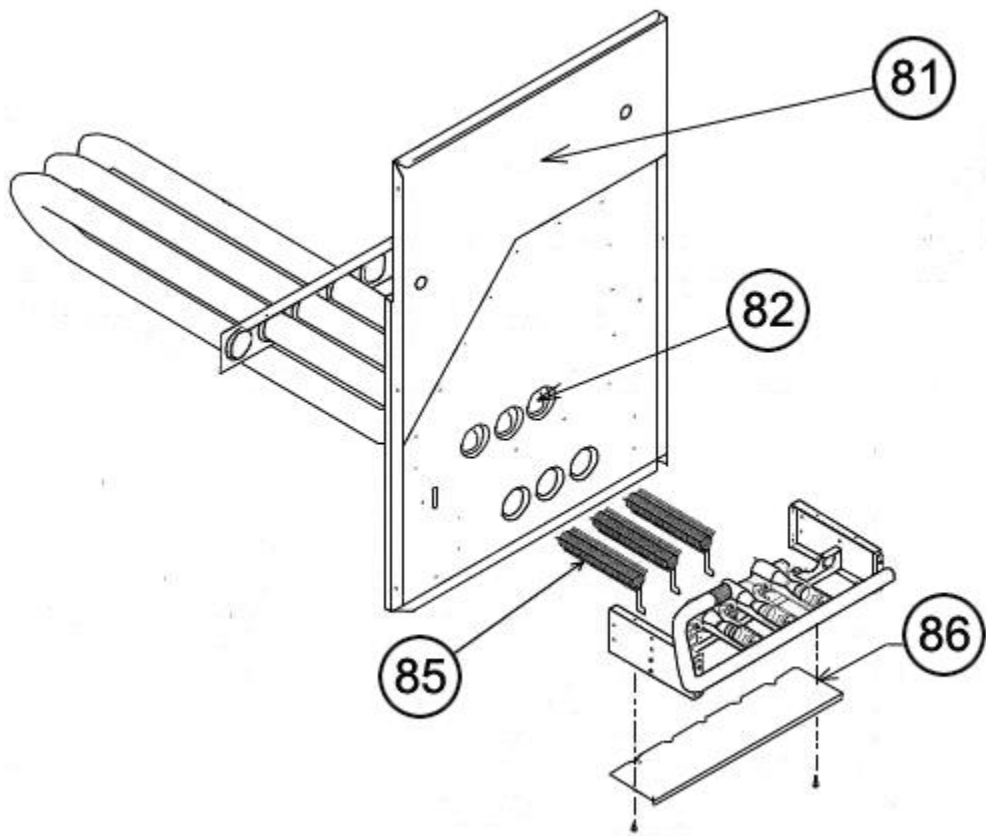
Evaporator Coil Assembly



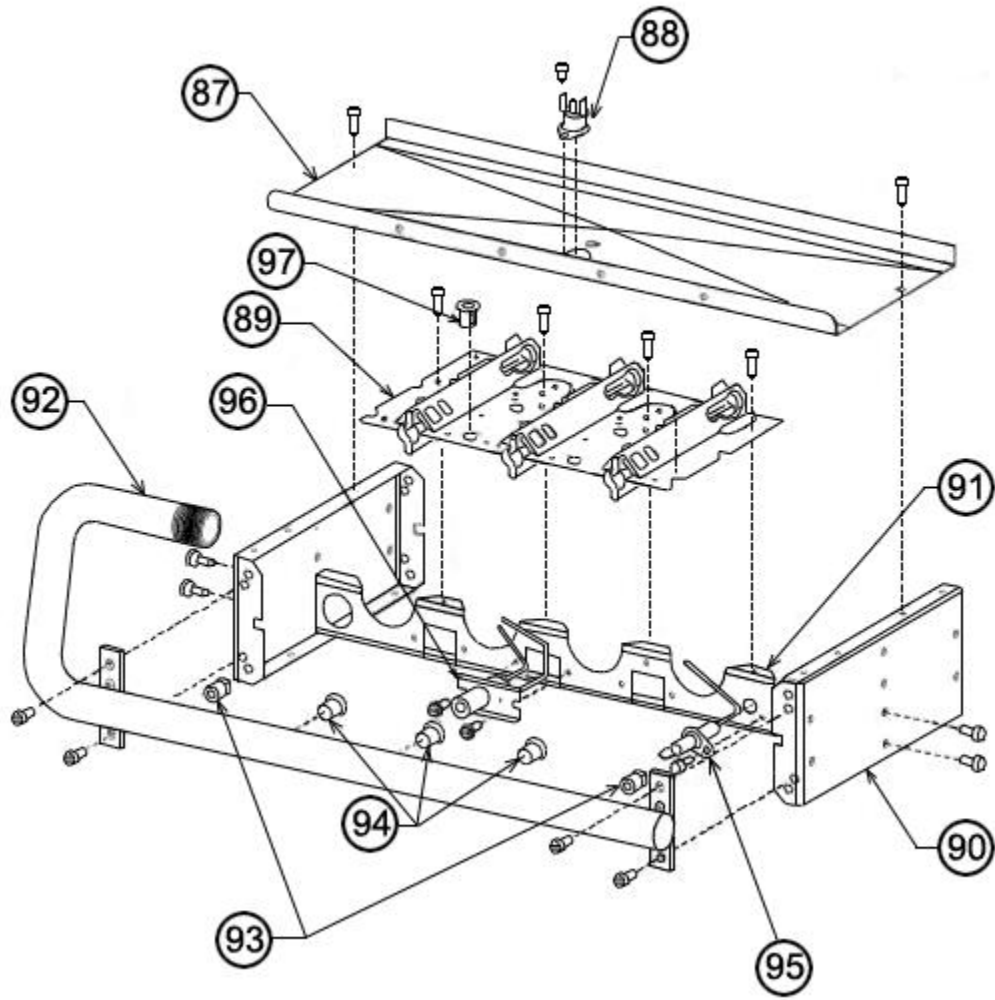
Condenser Coil



Compressor and Refrigeration Components



Heat Exchanger Assembly



Burner Assembly

NOTES

Stk It is recommended that stock be maintained for this part.

N/A Not Applicable

- 1 Order Gas Valve for Natural Gas along with LP Conversion Kit.
- 2 Some units were shipped with a Low Pressure Control that is different from that listed. Use the Low Pressure Control specified for replacement.

DISCLAIMER: This document is intended to provide general replacement parts information to aid qualified service personnel in the repair of these models. The complete Model and Serial Number of the unit under repair should be specified when selecting and ordering replacement parts. Specifications and illustrations are subject to change without notice. Document 92-42800-RRRL-B supersedes all previous parts lists for these models. See <http://www.rheempartslists.net/92-42800-RRRL-B> for the latest revision of this document. The manufacturer assumes no obligation for errors or omissions. Service personnel must verify the proper and safe operation of equipment after the replacement of any original components.