



# TechData

## PRODUCT SPECIFICATION SHEET



**ProRadiant**  
SYSTEMS

### Climate Panel

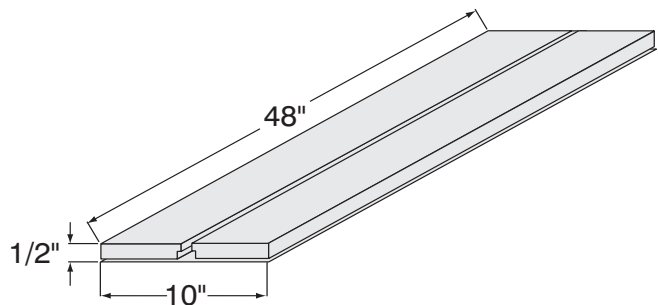
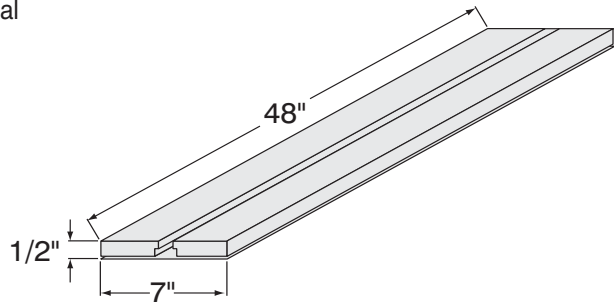
#### Application

Climate Panels are used as a fastening system to integrate 5/16" ViegaPEX Barrier tubing into the floor construction.

They are constructed of CCX fir plywood with an aluminum heat transfer sheet underneath for even heat distribution and high performance output. U-Turn strips allow tubing to be turned around at each end of the room to connect with the next row of panels.

#### Dimensions

Climate Panel Nominal  
7"x 48" x 1/2"  
10"x 48" x 1/2"



#### Specifications

##### Plywood

Product Designation:  
CANPly Exterior/Interior Plywood

Nominal Thickness: 1/2 inch

Manufacturing Standard:  
PS1-95 US  
CSA 0121-M1978 Canada  
CANPly standards and policy

Grade: Sheathing (CCX by PS1-95)

##### Glue

Bordens 2022 Phenol  
Formaldehyde  
Resin  
Exterior Bond Type

##### Aluminum

0.012 inch thick  
Dimensions

#### Dimensions

U-Turn Nominal  
(same for both 7" and 10" spacing)  
7"x 48" x 1/2"

