

SEDIMENT SCREEN

» 832 SERIES

SPECIFICATION

Sioux Chief 832 series stainless steel sediment screen shall be used where necessary in drainage systems. Screen shall be constructed with 300 series stainless steel interwoven 0.026" (23 gauge) diameter wire mesh with a 0.188" (6 gauge) diameter ring-frame. Screen shall install in waterway of drain head and prevent debris from entering the drainage system. Screen shall be removable for cleaning and maintenance.

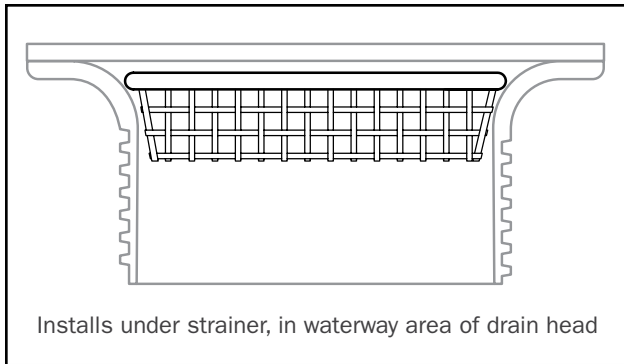
MATERIALS

300 Series stainless steel

DIMENSIONS

- A: diameter 4⁵/₁₆"
- B: height 1"
- C: opening 0.150" average
- D: ring-frame diameter 6 gauge (0.188")
- E: mesh diameter 23 gauge (0.026")

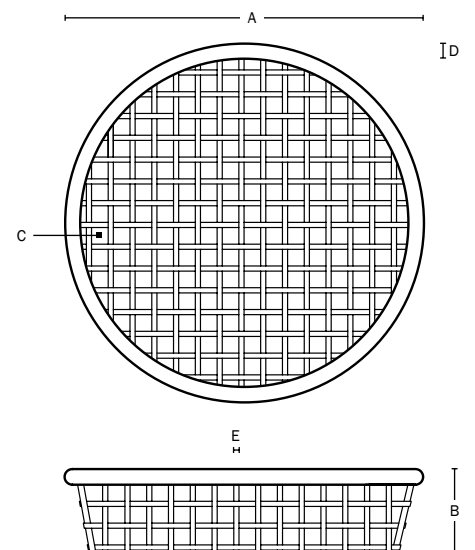
INSTALLATION



ITEM # SUBMITTED	832-UM
JOB NAME	_____
LOCATION	_____
ENGINEER	_____
CONTRACTOR	_____
PO#	_____ TAG _____



832-UM



Item Number

832-UM