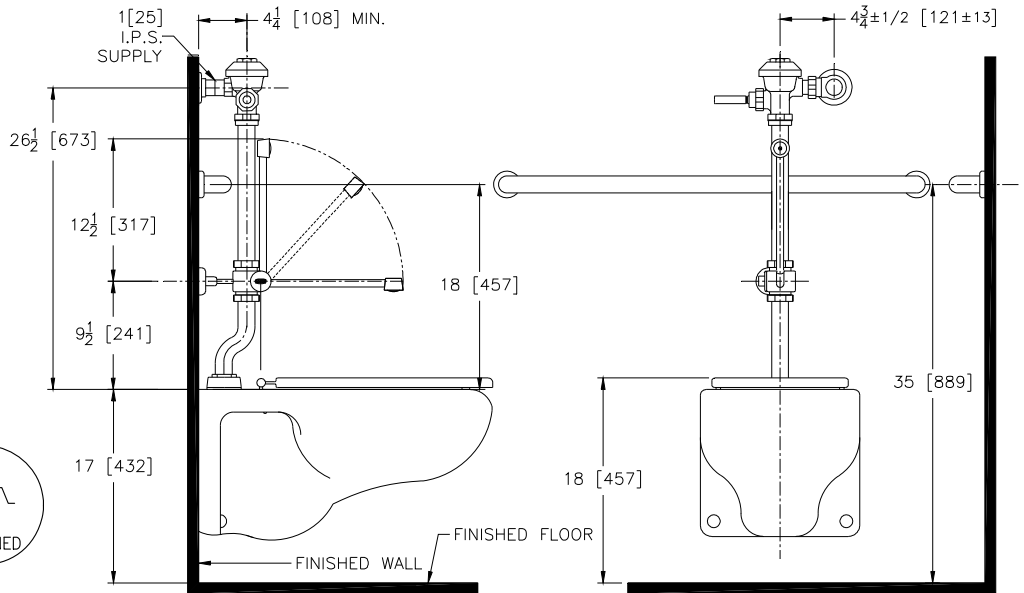




Exposed Z6011AV-BWN Model with Bedpan Washer for Water Closets for Handicap Grab Bar Applications



Flow Options

- | | | |
|--------------------------|-----------------------|--------------------------|
| <input type="checkbox"/> | -WS1 | 1.6 Gal. Low Consumption |
| <input type="checkbox"/> | -FF | 4.5 Gal. Full Flush |
| <input type="checkbox"/> | Standard Flush | 3.5 Gallons Per Flush |

Suffix Options (Check/Specify Appropriate Options)

- | | | |
|-------|-------------|----------------------------------|
| _____ | -BG | BioCare ADA Handle |
| _____ | -BG2 | BioCare ADA Handle and Spray Arm |
| _____ | -DF | Dual Flush Handle |
| _____ | -H | Handle on Front of Flush Valve |
| _____ | -L | 1" [25] Metal Push Button |
| _____ | -L3 | 3" [76] Metal Push Button |
| _____ | -YJ | Split Ring Pipe Support |
| _____ | -YK | Solid Ring Pipe Support |
| _____ | | Other |

ENGINEERING SPECIFICATION: ZURN Z6011AV-BWN AquaVantage® 'AV' Exposed Closet Flush Valve with Bedpan Washer for Handicap Grab Bar Applications-

Exposed, quiet diaphragm-type, chrome plated, flushometer valve with a polished exterior. Complete with Zurn's AquaVantage® TPE, chloramine resistant, dual seal diaphragm with a clog resistant, triple filtered by-pass. The valve is ADA compliant with a non-hold open and no leak handle feature, bedpan washer assembly with offset flush tube, wall bracket and support rod, high back pressure vacuum breaker, one piece hex coupling nut, adjustable tailpiece, spud coupling and flange for top spud connection. Control stop has internal siphon-guard protection, vandal resistant stop cap, sweat solder kit, and a cast wall flange with set screw. Internal seals are made of chloramine resistant materials.

This space is for Architectural/engineering Approval