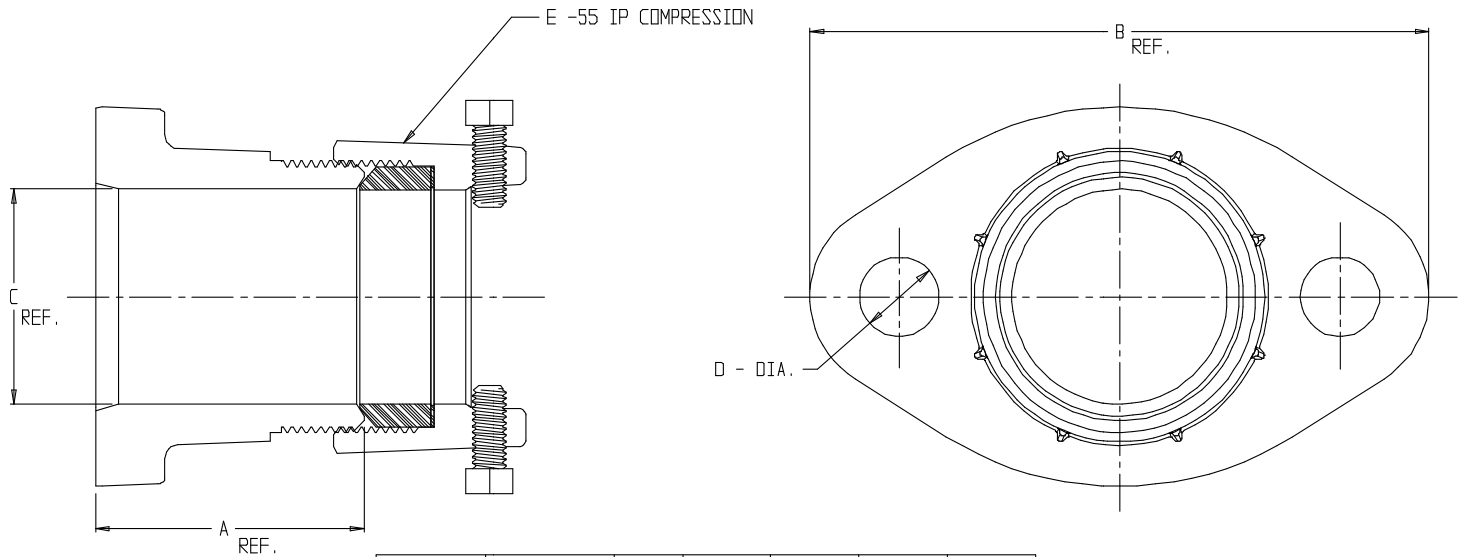
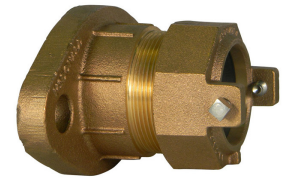


SUBMITTAL DATA SHEET

NL Meter Coupling – 7610-55

Oval Flange x -55 IP Compression



MODEL	SIZE	A	B	C	D	E
7610-55	1 1/2	2.44	5.62	1.95	.72	1 1/2
7610-55	1 1/2 X .81	2.44	5.62	1.95	.81	1 1/2
7610-55	2	2.62	6.00	2.42	.81	2

SUBMITTAL INFORMATION

- Manufactured in compliance with ANSI/AWWA C800 (latest revision)
- Brass components in contact with potable water conform to ASTM B584, UNS C89833 (latest revision) and identified with “NL”
- Certified to NSF/ANSI 61 and NSF/ANSI 372
- Brass components not in contact with potable water conform to ASTM B62 and ASTM B584, UNS C83600 -85-5-5-5 (latest revision)
- Large wrench area provided for proper installation



A.Y. McDonald Mfg. Co.
P.O. Box 508
Dubuque, IA 52004-508

Toll Free: 1-800-292-2737
Fax: 1-800-832-9296
Hours: 7:00 a.m. – 5:00 p.m., CST

sales@aymcdonald.com
www.aymcdonald.com

A.Y. McDonald considers the information on this assembly drawing correct when published. Item and option availability, including specifications, are subject to change without notice.

Submitted by:

09-14