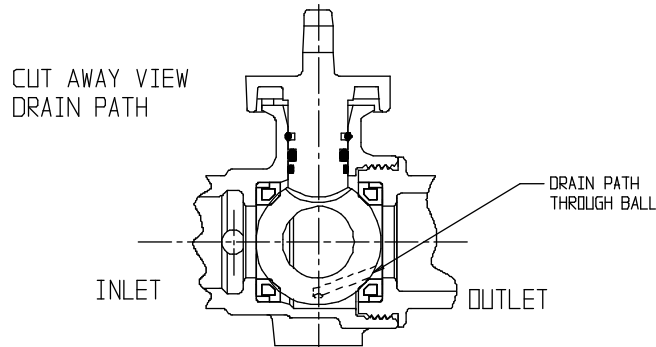
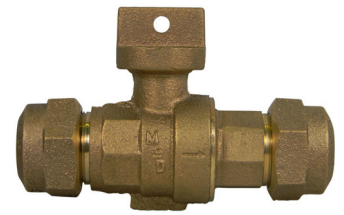


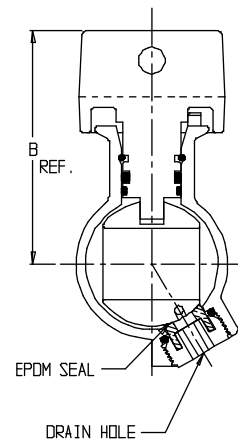
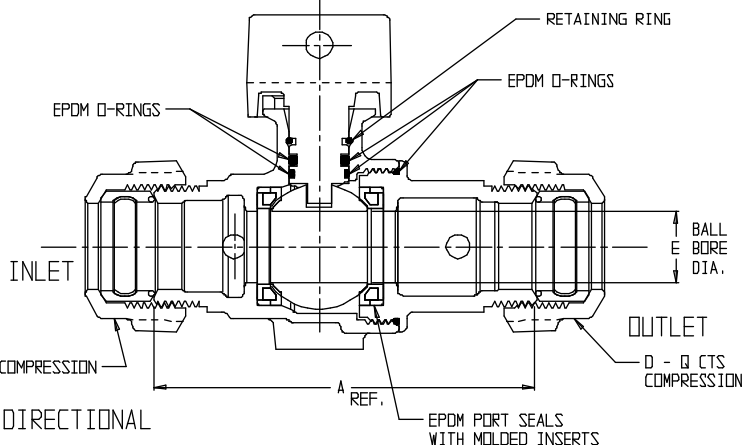
# SUBMITTAL DATA SHEET

## NL Stop and Waste Ball Curb Stop – 76000Q

Q CTS Compression x Q CTS Compression



| MODEL  | SIZE  | A    | B    | C     | D     | E     |
|--------|-------|------|------|-------|-------|-------|
| 76000Q | 3/4   | 4.00 | 2.42 | 3/4   | 3/4   | 3/4   |
| 76000Q | 1     | 4.47 | 2.65 | 1     | 1     | 1     |
| 76000Q | 1 1/2 | 6.05 | 3.40 | 1 1/2 | 1 1/2 | 1 1/2 |
| 76000Q | 2     | 6.99 | 3.71 | 2     | 2     | 2     |



NOTE: VALVES ARE DIRECTIONAL

### SUBMITTAL INFORMATION

- Manufactured in compliance with ANSI/AWWA C800 (latest revision)
- Brass components in contact with potable water conform to ASTM B584, UNS C89833 (latest revision) and identified with "NL"
- Certified to NSF/ANSI 61 and NSF/ANSI 372
- Brass components not in contact with potable water conform to ASTM B62 and ASTM B584, UNS C83600 -85-5-5-5 (latest revision)
- PTFE coated brass ball
- Rated for 150 PSIG water pressure with cast directional arrow
- Blow out proof EPDM port seals
- Joints sealed with EPDM o-rings and thread locker
- Insert stiffeners required on all flexible plastic connections



**A.Y. McDonald Mfg. CO.**  
P.O. Box 508  
Dubuque, IA 52004-508

**Toll Free: 1-800-292-2737**

**Fax: 1-800-832-9296**

**Hours: 7:00 a.m. – 5:00 p.m., CST**

[sales@aymcdonald.com](mailto:sales@aymcdonald.com)

[www.aymcdonald.com](http://www.aymcdonald.com)

A.Y. McDonald considers the information on this assembly drawing correct when published. Item and option availability, including specifications, are subject to change without notice.

**Submitted by:**

09-14