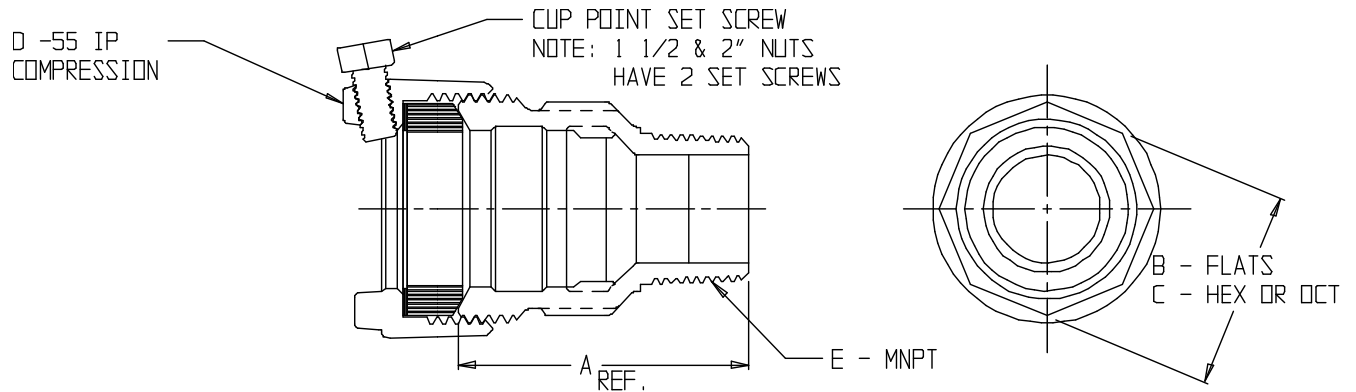
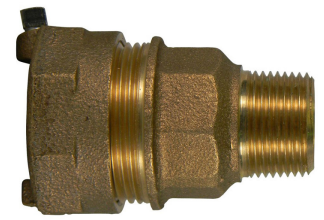


SUBMITTAL DATA SHEET

NL Service Fitting – 74753-55

-55 IP Compression x MNPT



MODEL	SIZE	A	B	C	D	E
74753-55	3/4	2.03	1.38	OCT	3/4	3/4
74753-55	3/4 X 1	2.44	1.38	OCT	3/4	1
74753-55	1	2.76	1.85	OCT	1	1
74753-55	1 X 3/4	2.50	1.85	OCT	1	3/4
74753-55	1 X 1 1/2	2.69	1.69	HEX	1	1 1/2
74753-55	1 1/2	2.78	2.25	OCT	1 1/2	1 1/2
74753-55	1 1/2 X 1	2.55	2.31	OCT	1 1/2	1
74753-55	2	2.96	2.75	OCT	2	2
74753-55	2 X 1	2.96	3.05	OCT	2	1

SUBMITTAL INFORMATION

- Manufactured in compliance with ANSI/AWWA C800 (latest revision)
- Brass components in contact with potable water conform to ASTM B584, UNS C89833 (latest revision) and identified with “NL”
- Certified to NSF/ANSI 61 and NSF/ANSI 372
- Brass components not in contact with potable water conform to ASTM B62 and ASTM B584, UNS C83600 -85-5-5-5 (latest revision)
- Large wrench flats provided for proper installation



A.Y. McDonald Mfg. Co.
P.O. Box 508
Dubuque, IA 52004-508

Toll Free: 1-800-292-2737
Fax: 1-800-832-9296
Hours: 7:00 a.m. – 5:00 p.m., CST

sales@aymcdonald.com
www.aymcdonald.com

A.Y. McDonald considers the information on this assembly drawing correct when published. Item and option availability, including specifications, are subject to change without notice.

Submitted by:

09-14