

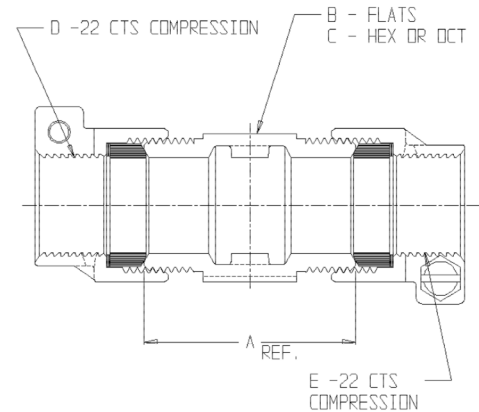
# SUBMITTAL DATA SHEET

NL Service Fitting – 74758-22

-22 CTS Compression x -22 CTS Compression



MODEL	SIZE	A	B	C	D	E
74758-22	1/2	1.60	1.06	HEX	1/2	1/2
74758-22	1/2 X 3/4	1.80	1.38	HEX	1/2	3/4
74758-22	13/16	2.00	1.20	OCT	13/16	13/16
74758-22	13/16 X 3/4	2.00	1.20	OCT	13/16	3/4
74758-22	3/4	2.00	1.34	OCT	3/4	3/4
74758-22	3/4 X 1	2.11	1.38	OCT	3/4	1
74758-22	3/4 X 1 1/4	2.10	1.69	HEX	3/4	1 1/4
74758-22	1	2.40	1.38	OCT	1	1
74758-22	1 X 1 1/4	2.61	1.85	OCT	1	1 1/4
74758-22	1 X 1 1/2	2.60	1.85	OCT	1	1 1/2
74758-22	1 X 2	2.43	2.44	OCT	1	2
74758-22	1 1/4	2.56	1.69	OCT	1 1/4	1 1/4
74758-22	1 1/4 X 1 1/2	2.61	1.69	OCT	1 1/4	1 1/2
74758-22	1 1/4 X 2	2.62	2.44	OCT	1 1/4	2
74758-22	1 1/2	3.31	2.00	OCT	1 1/2	1 1/2
74758-22	1 1/2 X 2	2.62	2.44	OCT	1 1/2	2
74758-22	2	3.53	2.45	OCT	2	2
74758-22	2 1/2	3.25	3.12	OCT	2 1/2	2 1/2



## SUBMITTAL INFORMATION

- Manufactured in compliance with ANSI/AWWA C800 (latest revision)
- Brass components in contact with potable water conform to ASTM B584, UNS C89833 (latest revision) and identified with “NL”
- Certified to NSF/ANSI 61 and NSF/ANSI 372
- Brass components not in contact with potable water conform to ASTM B62 and ASTM B584, UNS C83600 -85-5-5-5 (latest revision)
- Large wrench flats provided for proper installation
- Insert stiffeners required for all flexible plastic connections



**A.Y. McDonald Mfg. Co.**  
P.O. Box 508  
Dubuque, IA 52004-508

**Toll Free: 1-800-292-2737**  
**Fax: 1-800-832-9296**  
**Hours: 7:00 a.m. – 5:00 p.m., CST**

sales@aymcdonald.com  
[www.aymcdonald.com](http://www.aymcdonald.com)

A.Y. McDonald considers the information on this assembly drawing correct when published. Item and option availability, including specifications, are subject to change without notice.

**Submitted by:**