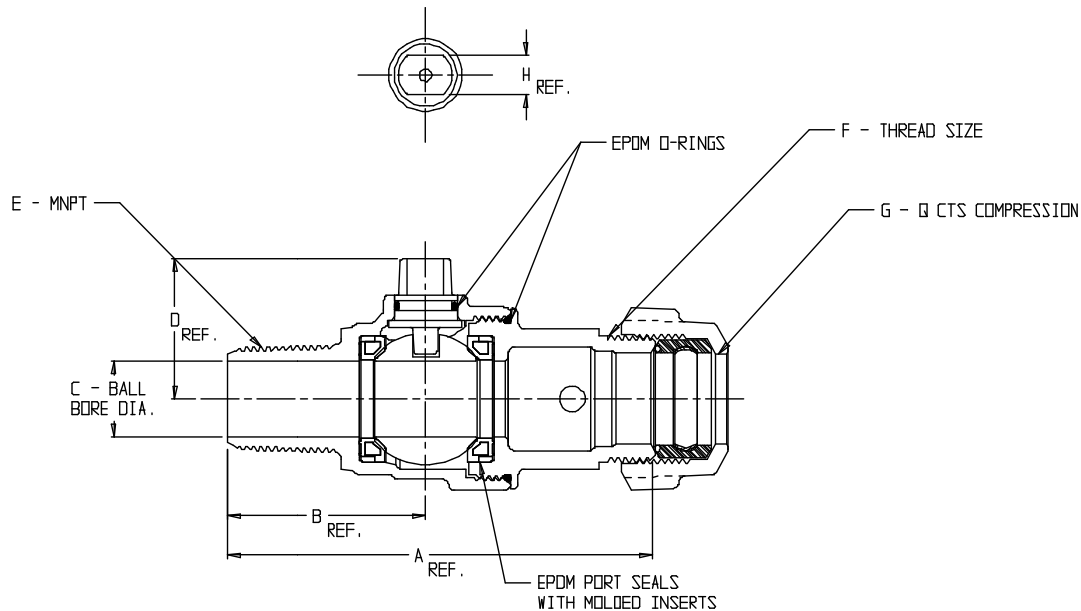


SUBMITTAL DATA SHEET

NL Ball Style Corporation Stop – 74704BQ

MNPT x Q CTS Compression



MODEL	SIZE	A	B	C	D	E	F	G	H
74704BQ	3/4	4.22	1.96	.75	1.39	3/4	3/4 AWWA FLARE	3/4	.38
74704BQ	1	4.37	2.11	1.00	1.50	1	1 AWWA FLARE	1	.28
74704BQ	1 1/4	5.90	3.02	1.25	1.88	1 1/4	1 1/4 AWWA FLARE	1 1/4	.42
74704BQ	1 1/2	6.42	3.05	1.50	2.15	1 1/2	2 1/8-16 SPECIAL	1 1/2	.42
74704BQ	1 1/2 X 2	6.97	3.05	1.50	2.15	1 1/2	2 5/8-16 SPECIAL	1 1/2	.38
74704BQ	2	6.86	3.21	2.00	2.46	2	2 5/8-16 SPECIAL	2	.42

SUBMITTAL INFORMATION

- Manufactured in compliance with ANSI/AWWA C800 (latest revision)
- Brass components in contact with potable water conform to ASTM B584, UNS C89833 (latest revision) and identified with “NL”
- Certified to NSF/ANSI 61 and NSF/ANSI 372
- Brass components not in contact with potable water conform to ASTM B62 and ASTM B584, UNS C83600 -85-5-5-5 (latest revision)
- PTFE coated brass ball rotates 360°
- Rated for 300 PSIG water pressure
- Blow out proof EPDM port seals
- End piece joint sealed with an EPDM o-ring and thread locker
- Insert stiffeners required on all flexible plastic connections



A.Y. McDonald Mfg. Co.
P.O. Box 508
Dubuque, IA 52004-508

Toll Free: 1-800-292-2737
Fax: 1-800-832-9296
Hours: 7:00 a.m. – 5:00 p.m., CST

sales@aymcdonald.com
www.aymcdonald.com

A.Y. McDonald considers the information on this assembly drawing correct when published. Item and option availability, including specifications, are subject to change without notice.

Submitted by: