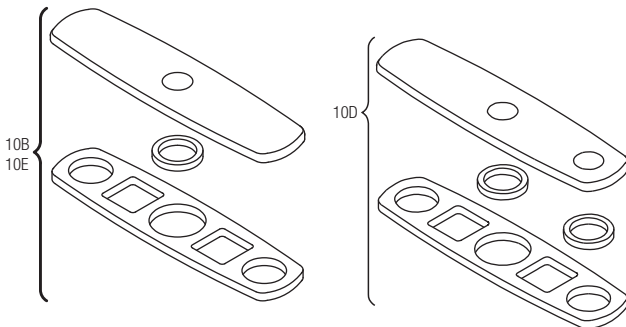
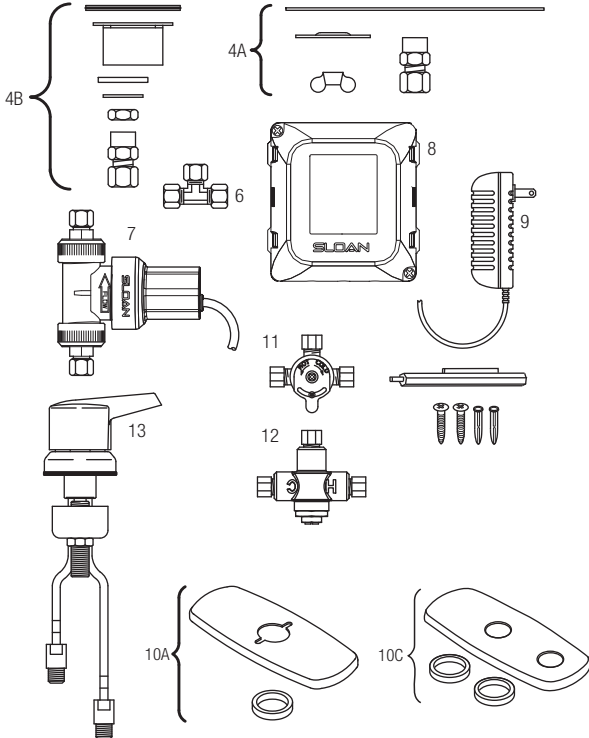
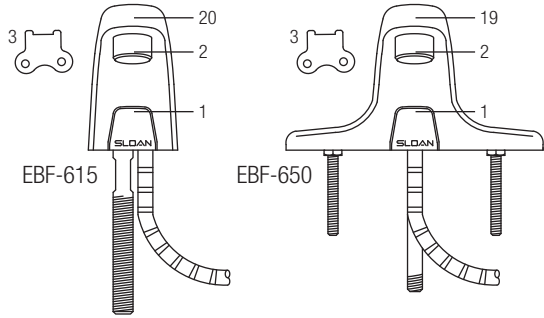
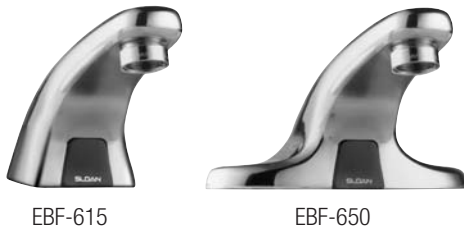


Optima Plus® EBF-615/EBF-650



PARTS LIST—EBF-615 AND EBF-650 FAUCETS

Item No.	Code No.	Part No.	Description
1.	0365400	ETF-749-A	Sensor Only
2.	3365092	ETF-1023-A	0.5 gpm (1.9 Lpm) Spray Head with Key (male thread)
	3365093	ETF-1024-A	2.2 gpm (8.3 Lpm) Aerator Spray Head with Key (male thread)
	3365162	ETF-1029-A	2.2 gpm (8.3 Lpm) Laminar Flow (male thread)
	3365756	ETF-1039-A	0.35 gpm (1.3 Lpm) Multi-Lam Spray Head VR
3.	0305927	ETF-435	Replacement Key Only for ETF-1023-A 0.5 gpm (1.9 Lpm) Spray Head and ETF-1024-A 2.2 gpm (8.3 Lpm) Aerator Spray Head
4A.	3365088	ETF-546-A	Faucet Mounting Kit for EBF-650 includes Base Gasket, two (2) Slotted Mounting Washers, two (2) Wing Nuts and ETF-547 Compression Fitting Connector
4B.	0315085	EBF-123-A	Faucet Mounting Kit for EBF-615 includes Base Gasket, Spacer, Washer, 9/16" Lockwasher, 1/4" NPSM Hex Nut and ETF-547 Compression Fitting Connector
5.	0365058	ETF-547	1/8" NPT Pipe to 3/8" Tube Compression Fitting Connector (female)
6.	3365461	ETF-617-A	3/8" Bak-Chek® Tee Compression Fitting
7.	0365758	ETF-740-A	6 VDC Solenoid Valve Assembly
7A.	0365774	ETF-742-A	Solenoid with armored cable and wire only (no valve assembly)
8.	0365752	ETF-735-A	Control Module
9.	0362006	SFP-6	110 VAC/6 VDC Plug-In Adapter
OPTIONAL TRIM PLATES			
10A.	3365302	ETF-607-A	4" (102 mm) Centerset Trim plate for EBF-625
10B.	3365303	ETF-608-A	8" (204 mm) Centerset Trim Plate for EBF-625
10C.	3326012	MIX-101-A	4" (102 mm) Centerset Trim plate for EBF-625 with optional mixing Valve
10D.	3326017	MIX-106-A	8" (204 mm) Centerset Trim plate for EBF-625
10E.	3365119	ETF-578-A	8" (204 mm) Centerset Trim plate for EBF-655
OPTIONAL MIXING VALVES			
11.	3326009	MIX-60-A	Below Deck Mechanical Water Mixing Valve (BDM Variation)
12.	0326045	MIX-135-A	Below Deck Thermostatic Water Mixing Valve (BDT Variation)
13.	3326018	MIX-110-AA	Optimix® Deck Mounted Water Mixing Valve (only available for EBF-615 faucets)

For parts prior to September 2008 refer to page 179.