

# Class 125 Bronze Y-Strainers

Screw-In Cap • Tapped Cap with Blow-Off Plug or Solid Cap •  
20 Mesh SS Screen or SS Perforated Screen

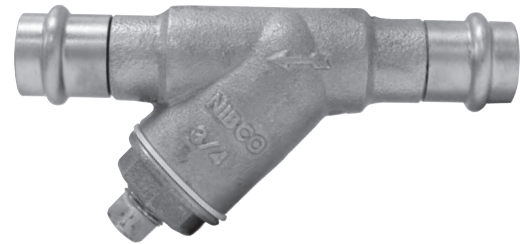
**200 PSI/13.8 bar non-shock cold working pressure**  
**250° F maximum operating temperature**

CONFORMS TO MSS SP-110

## MATERIAL LIST

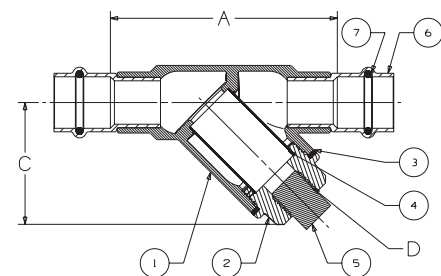
PART	SPECIFICATION
1. Body	Bronze ASTM B584 Alloy C84400
2. Cap	Bronze ASTM B62 Alloy C83600
3. Gasket	PTFE
4. Screen	ASTM E2016 20 Mesh - 304 Stainless Steel or ASTM E674 Perforated - 304 Stainless Steel
5. Plug	Brass ASTM B16 Alloy C36000 or Bronze ASTM B584 Alloy C84400
6. Female Adapter (2)	Bronze ASTM B61 Alloy C92200
7. O-Ring (2)	EPDM

END CONNECTION	SCREEN	CAP
PF - Female Press	221 - 20 Mesh (STD.)	A - Tapped Cap w/Plug (STD.)
PF - Female Press	222 - Perforated	B - Solid Cap



### PF-221/222-A

Press x Press  
Female End



PF-221/222-A  
P x P

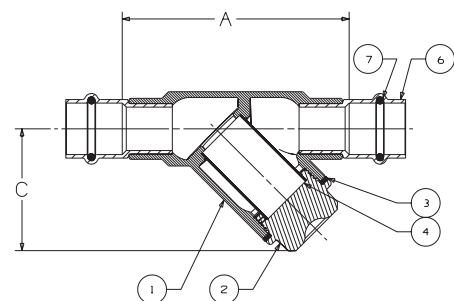
## DIMENSIONS—WEIGHTS—QUANTITIES

Dimensions									
Size		A		C		D		Weight	
In.	mm.	In.	mm.	In.	mm.	Threads	Lbs.	Kg.	
1/2	15	2.96	75	1.79	45	1/4 NPT	0.66	0.30	
3/4	20	3.94	100	2.14	54	3/8 NPT	1.21	0.55	
1	25	4.66	118	2.79	71	3/8 NPT	1.88	0.86	
1 1/4	32	5.47	139	3.23	82	3/4 NPT	3.10	1.41	
1 1/2	40	6.05	154	3.61	92	3/4 NPT	4.64	2.10	
2	50	7.40	188	4.99	127	1 NPT	7.48	3.39	

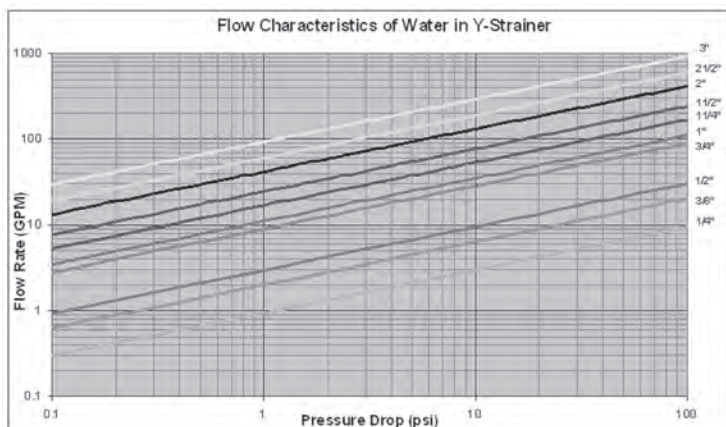


### PF-221/222-B

Press x Press  
Female End



PF-221/222-B  
P x P



Visit our website for the most current information.