

Bronze Ball Valves

Two-Piece Body • Full Port • Stainless Trim • 3/4" Hose Connection with Cap and Chain • Blowout-Proof Stem

600 PSI/41.4 bar non-shock cold working pressure*

CONFORMS TO MSS SP-110

MATERIAL LIST

PART	SPECIFICATION
1. Handle Nut	Stainless Steel 300 Series
2. Handle	Zinc Plated Steel Clear Chromate Plastisol Coated
3. Threaded Pack Gland	Brass ASTM B 16 Alloy C36000
4. Packing	PTFE
5. Thrust Washer	Reinforced PTFE
6. Stem	Stainless Steel ASTM A 276 Type 316
7. Ball	Stainless Steel ASTM A 276 Type 316 or ASTM A 351 Type CF8M
8. Seat Ring (2)	Reinforced PTFE
9. Body	Bronze ASTM B 584 Alloy C84400
10. Hose Body End	ASTM B 124 Alloy C37700
11. 1Cap	Die Cast Brass
12. Gasket	Rubber
13. Chain	Brass

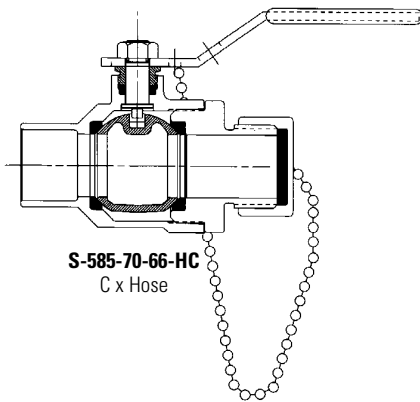
¹ Cap is for hose end thread protection only. Not to be used for pressure containing purposes.



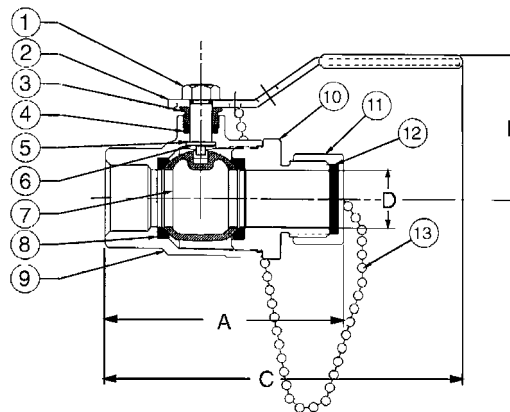
T-585-70-66-HC
Threaded x Hose



S-585-70-66-HC
C x Hose



S-585-70-66-HC
C x Hose



T-585-70-66-HC
NPT x Hose

**LEAD FREE*
OPTION
AVAILABLE**

DIMENSIONS—WEIGHTS—QUANTITIES

Size	Dimensions														Master Ctn.	Qty.		
	T-585-70-66-HC		S-585-70-66-HC		T-585-70-66-HC		S-585-70-66-HC		D		T-585-70-66-HC		S-585-70-66-HC					
	In.	mm.	In.	mm.	In.	mm.	In.	mm.	In.	mm.	Lbs.	Kg.	Lbs.	Kg.				
1/2	15	2.84	72	2.90	74	1.88	48	5.19	132	5.25	133	.50	13	.80	.36	.74	.34	100
3/4	20	3.31	84	3.47	88	2.25	57	6.25	159	6.25	159	.75	19	1.46	.66	1.42	.65	50

Note: solder end is designed to be soft-soldered into lines using solders with the melting point not exceeding 500°F. Higher temperature solders will damage the seat material. See installation sheet packaged with valves.

*For detailed operating pressure, refer to pressure temperature chart on page 42.

*Weighted average lead content ≤ 0.25%

Visit our website for the most current information.