

Features

- Integral flange.
- Right drain.
- Integral lumbar support.
- Integral apron.
- 60" (1524 mm) x 32" (813 mm) x 15-1/2" (394 mm)

Material

- Cast iron with Safeguard® finish.

Installation

- Alcove

Required Accessories

K- 37383 30" Rough-in Cable Bath Drain

Recommended Accessories

- K- 952 Wall-mount Non-diverter Bath Spout
- K- 10044 Wall-mount Non-diverter Bath Spout
- K- 14426 35° Bath spout
- K- 14427 90° Bath spout
- K- 15137 Wall-mount Non-diverter Bath Spout
- K-15138
- K- 16246 Wall-mount Non-diverter Bath Spout



ADA CSA B651 OBC

Codes/Standards






ASME A112.19.1/CSA B45.2
ASTM F462
ADA
ICC/ANSI A117.1
CSA B651
OBC

KOHLER® Lifetime Limited Warranty for Cast Iron Components

See website for detailed warranty information.

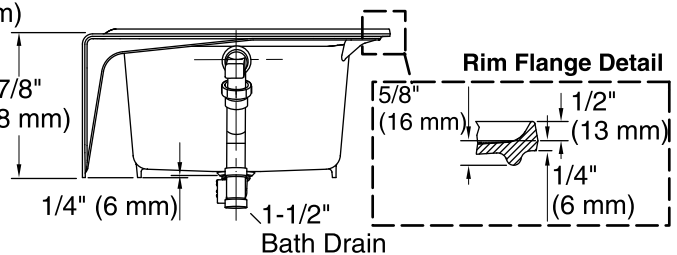
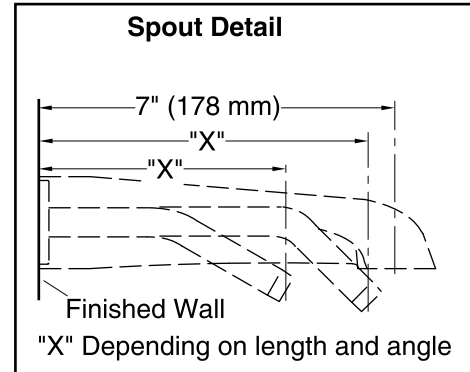
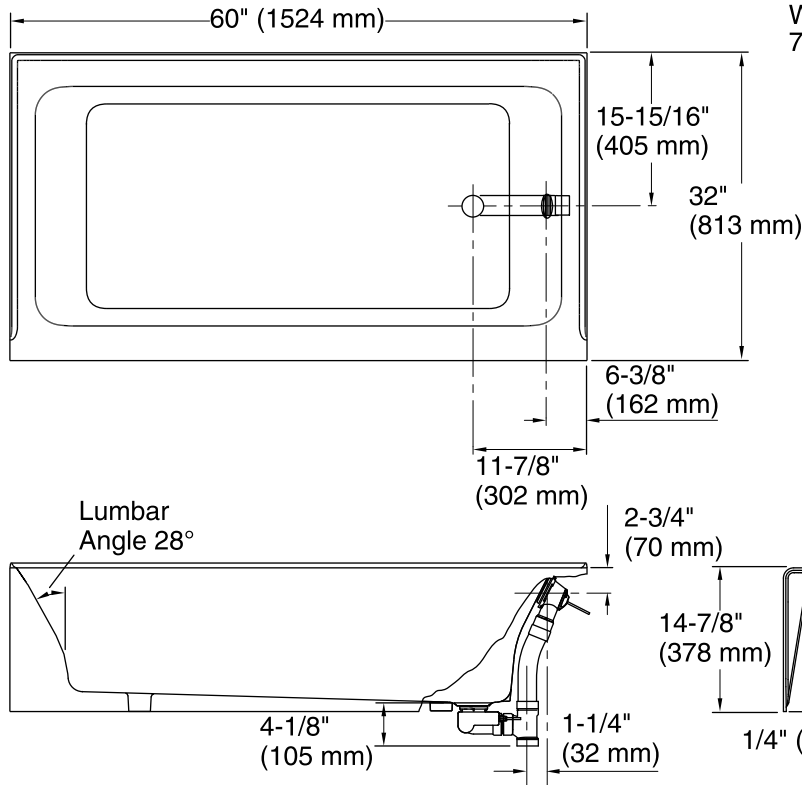
Available Color/Finishes

Color tiles intended for reference only.

Color	Code	Description
	0	White
	96	Biscuit
	47	Almond
	NY	Dune
	G9	Sandbar

No change in measurements if connected with drain illustrated. (K-37383)

Note: To clear the bath rim end wall, a minimum 7" (178 mm) bath spout is recommended. Water flow from angled bath spouts less than 7" (178 mm) may also provide needed clearance.



Technical Information

All product dimensions are nominal.

- Installation: 3-Wall Alcove
- Drain location: Right
- Basin area, bottom: 43-7/8" x 21" (1114 mm x 533 mm)
- Basin area, top: 51-1/4" x 23-5/16" (1302 mm x 592 mm)
- Weight: 327 lbs (148.3 kg)
- Minimum floor load: 52 lbs/ft² (253.9 kg/m²)
- Water depth: 11-5/16" (287 mm)
- Water capacity: 44 gal (166.6 L)
- Minimum flat for door: 2-1/2" (64 mm)

Notes

- Measure your actual product for rough-in details.
- Install this product according to the installation instructions.
- The hot water supply should be 70% of the capacity of the bath or greater. Installations will vary.
- ADA, OBC, CSA B651 compliant when installed to the specific requirements of these regulations.