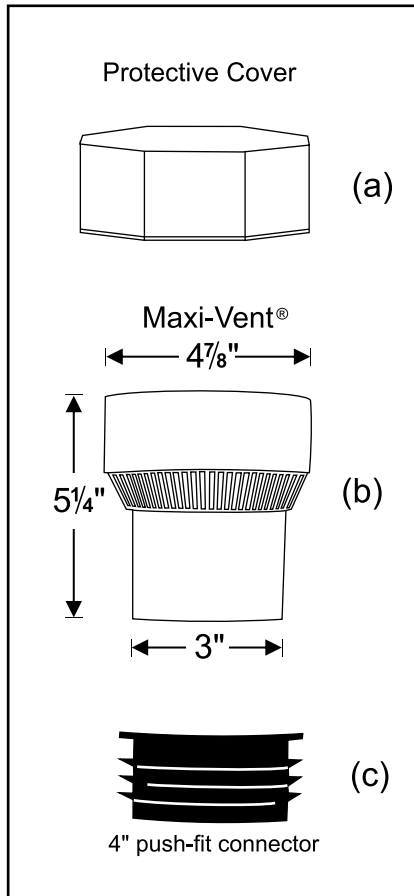


Specification Sheet / Maxi-Vent®

Manufacturer: Studor®, Inc.
Item #: 20302

Model: Maxi-Vent®
Connection Size: 3" or 4"



General:

An air admittance valve shall be acceptable as a vent termination for any individual vent, common vent, circuit vent, loop vent, island fixture vent, vent stack or stack vent that is provided to prevent siphonage of a fixture trap. An Air Admittance Valve can be used as an alternative to extending a vent through the roof (or sidewall) to the open atmosphere.

Location:

- A. The Maxi-Vent should be located a minimum of 4" above the weir of the fixture trap for single fixture and branch venting and 6" above the flood level of the highest fixture for stack venting.
- B. Each valve should be installed in an accessible location.

Installation:

- A. The valve should be connected to the piping in accordance with the manufacturer's installation instructions.
- B. The valve should be installed in the vertical, upright position after rough-in and pressure testing of the DWV system.
- C. A minimum of one vent shall extend to the open atmosphere for every building drainage system.
- D. The valve should not be installed as a vent terminal for any special(chemical) waste system or in supply and return air plenums.
- E. The valve may be installed on sewer ejectors, if installed according to engineer design and prior local code approval.
- F. For installation in areas with temperature ranges between -40°F and +150°F.

Features:

- A. Screening on the inside and outside of the valve to protect the sealing membrane from insects and debris.
- B. Protective cover for the air intake and additional insulation against extreme temperatures.
- C. Ability to divert condensation away from the sealing membrane.
- D. Lifetime Warranty.

Materials:

- (A) Styrofoam cover
- (B) ABS (acrylonitrile butadiene styrene) valve with elastomeric membrane
- (C) Rubber connector

Performance Standards:

- ANSI/ASSE 1051 A & B (revised 2002) single fixture and Branch type AAVs
- ASSE 1050 (1991) Stack Type AAVs
- NSF Standard 14 (Plastic Components)

Code Approvals:

- International Plumbing Code (IPC) 2003 Edition
- Southern Building Code Council International (SBCCI) 1994 Edition
- Building Official Code Administration (BOCA) 1993 Edition
- International Residential Code (IRC) 2003 Edition
- Uniform Plumbing Code (UPC) Section 301.2 Alternative Materials and Methods 2003 Edition

Listings:

- ASSE Seal of Approval
- National Evaluation Services (NER-592)
- NSF International (NSF Standard 14)
- NSF International (ANSI/ASSE Performance Standard 1051 and ASSE 1050)
- IAMPO Classified Marking, file No. C-3803
- Warnock Hersey (ITS - Intertek Testing Services)

Sizing Chart

Horizontal Branch Size	Max DFUs
3"	20
4"	160
Stack Size	Max DFUs
3"	72
4"	500