

SPECIFICATIONS

Models 98312C, 98313C and 98324C

GENERAL

Accessory apron designed for compliance with the Americans with Disabilities Act (A.D.A.) in specific Bi-level applications when the units are mounted on an exposed wall. Accessory is applicable to Elkay (L)EMABF/(L)VRC and Halsey Taylor HAC/HVR Bi-Level units. This apron provides the mandatory 27" (686 mm) floor to underside requirement for detection in a circulation path when properly installed.

CONSTRUCTION:

300 Series stainless steel construction or Light Gray or Platinum Vinyl Clad Steel.

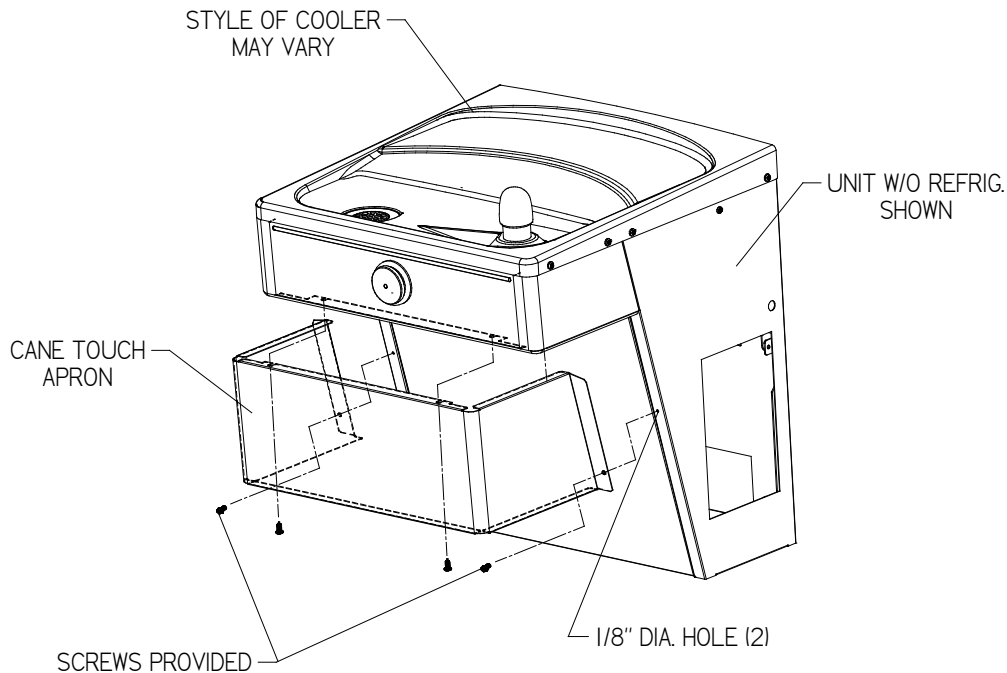
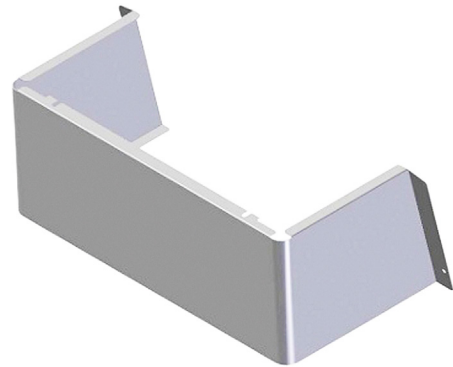
ORDERING INFORMATION

- Order part 98312C for use with HAC Platinum Vinyl units.
- Order part 98313C for use with EMABFTL/LMABFTL Light Gray units.
- Order part 98324C for use with EMABFTL/LMABFTL, VRCTL/LVRCTL & HAC/HVRBL Stainless Steel units.

**27" (686mm) Adult ADA requirement. 24" (609mm) for child ADA requirement. Adjust all other measurements accordingly.*

Shipping Weight: 3.5 lbs.

Accessory Aprons



Job Name: _____
_____ Qty. _____
Engineer/Contractor Name: _____
Approval: _____
Date: _____

Note: Continued product improvement makes specification subject to change without notice.