

# MODELS 60C, 60TC (Simulated Tile), 60C-N

## STANDARD FEATURES

Our extra-large shower stall offers the ultimate in luxury—as well as real design versatility. Order your shower exactly the way you want it. On the Model 60C, please specify Left- or Right-hand plumbing (seat will be on opposite side of plumbing hand). The shower head may be placed on the right, the left or even both sides. Or choose the Model 60NSC (No Seat) for more floor space.

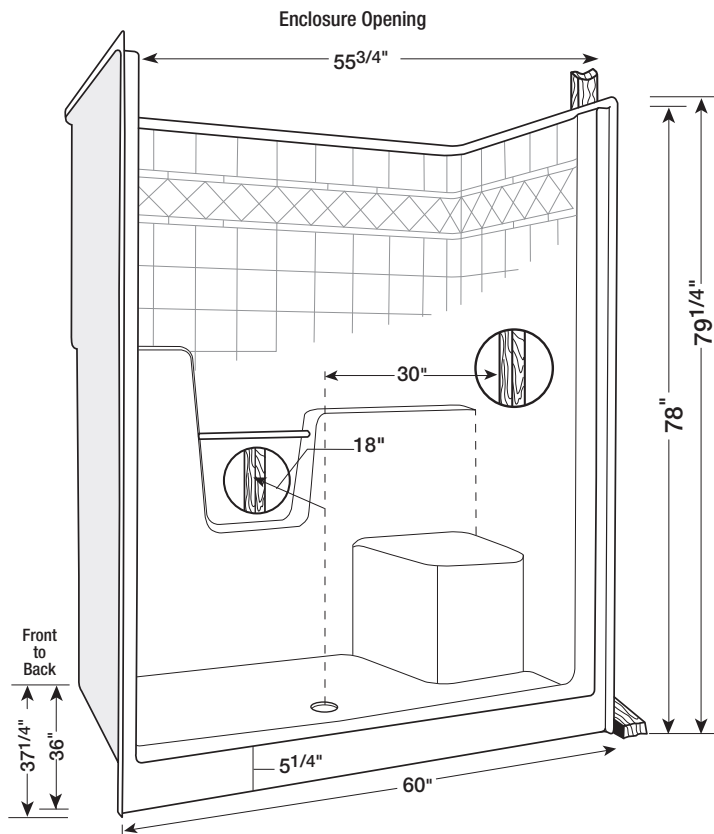
Both models come with tri-level soap ledges and anti-slip floor, as well as Fiber-Fab's unique supporting plate laminated to the bottom.

1. Composite supporting plate
2. Acrylic grab bar
3. Never leaks or rusts; chip-resistant
4. Stain-resistant gel-coated finish that cleans like magic
5. Warm to the touch
6. Ready-to-plumb construction makes installation easy and quick
7. Anti-slip floor (meets ASTM -462)
8. Also available in smooth wall 60C

**Note:** Model 60C-N no seat, is not available in simulated tile.



## Model 60TC



## OPTIONAL FEATURES

- Factory-installed through-bolted curtain rod
- Factory-installed and pre-plumbed pressure-balancing mixing valve
- Additional factory-installed through-bolted flangeless grab bar(s)
- Tempered glass enclosures
- Wide selection of contemporary colors
- Fold-down seat for model 60C-N only
- Fiber glass top available



Printed using 100% new wind energy.

Toll Free 1-877-792-3456

