

MODELS 36C, 36TC (Simulated Tile)

STANDARD FEATURES

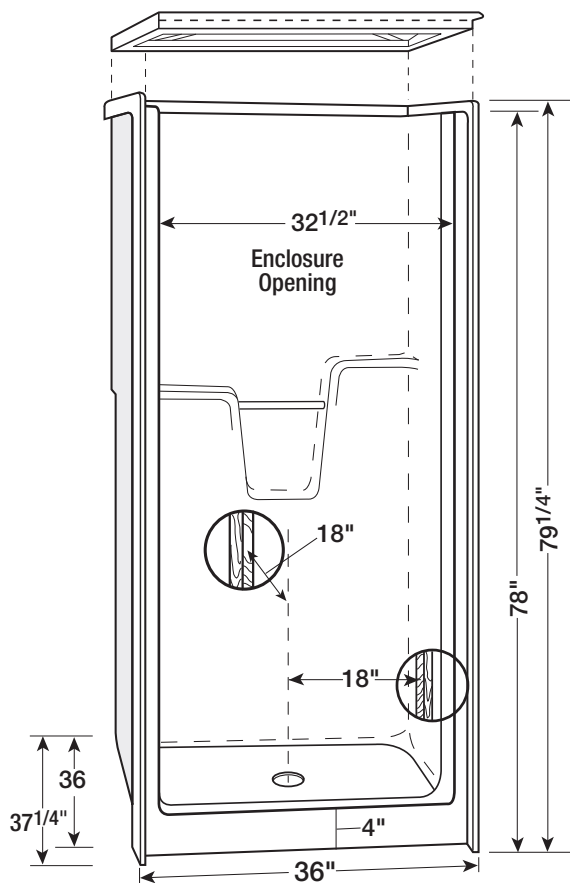
One-piece shower stall with optional top includes acrylic grab bar and soap ledges across the back wall. Specify with or without top.

1. Composite supporting plate
2. Never leaks or rusts; chip-resistant
3. Stain-resistant gel-coated finish that cleans like magic
4. Warm to the touch
5. Ready-to-plumb construction makes installation easy and quick
6. Anti-slip floor (meets ASTM -462)
7. Acrylic grab bar

Note: Also available in simulated tile (Model 36TC)



Model 36C



OPTIONAL FEATURES

- Factory-installed through-bolted curtain rod
- Factory-installed and pre-plumbed pressure-balancing mixing valve
- Additional factory-installed through-bolted flangeless grab bar(s)
- Tempered glass enclosures
- Wide selection of contemporary colors
- Fold-down seat
- Fiber glass top available



Printed using 100% new wind energy.

Toll Free 1-877-792-3456

