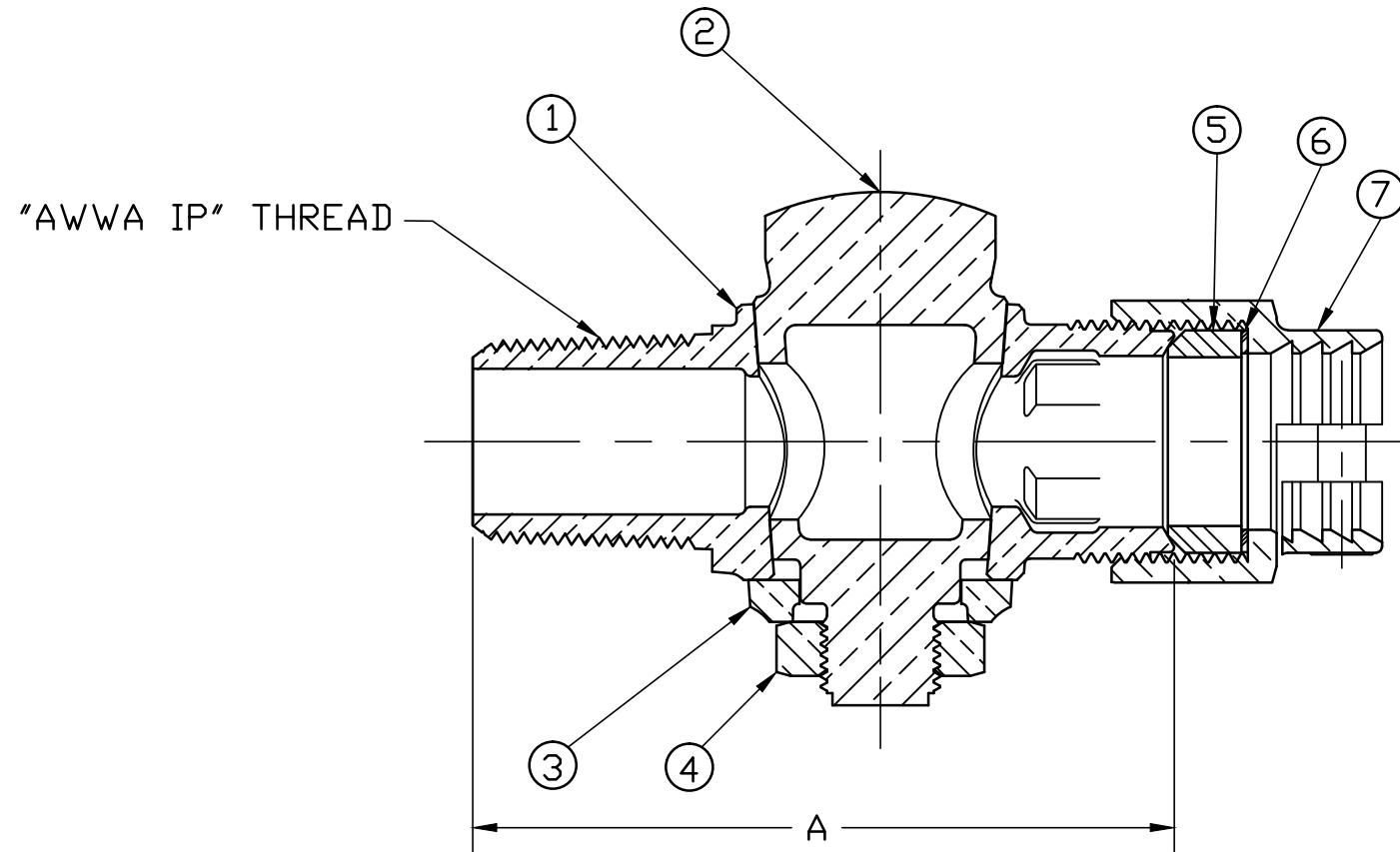


No.	DESCRIPTION	MATERIAL
1	BODY	CAST LOW LEAD BRASS VALVE
2	KEY	CAST LOW LEAD BRASS VALVE
3	KEY WASHER	CAST BRASS ASTM B62 ALLOY C83600
4	KEY NUT	CAST BRASS ASTM B62 ALLOY C83600
5	PJ CTS GSKT	BUNA N ASTM D2000
6	PJ WASHER	POLYPROPYLENE
7	CLPG NUT SUB	CAST BRASS ASTM B62 ALLOY C83600



VALVE SIZE	A
3/4"	3-21/32"
3/4x1"	4-3/16"
1"	4-5/16"

PART NUMBER
E3403
JJ-MRKTG

FILEPATH: PROD-ENG\JJ\SUBMITTALS\E3403

						DRFTR	RWB	2/5/10	JAMES JONES CO.		
						CHKR					
						ENGR					
						MGR					
									UNLESS OTHERWISE NOTED	THIRD ANGLE PROJECTION	
									SURFACE PREPARATION:		
									BREAK CORNER(S) ---- .000		
									SURFACE FINISH -- XX RMS	REF. No.	SCALE
									TOLERANCE(S):		
									LINEAR ----- ± .000		
									ANGULAR ----- ± 0°00'		
									STK No:		
									MAT'L:		
									DESCR.		
									GROUND KEY LLB CORPORATION VALVE	PART NUMBER	
									(MIP x PJ CTS)	E3403	
REV	ECR	DESCRIPTION	DATE	BY	CHKR						