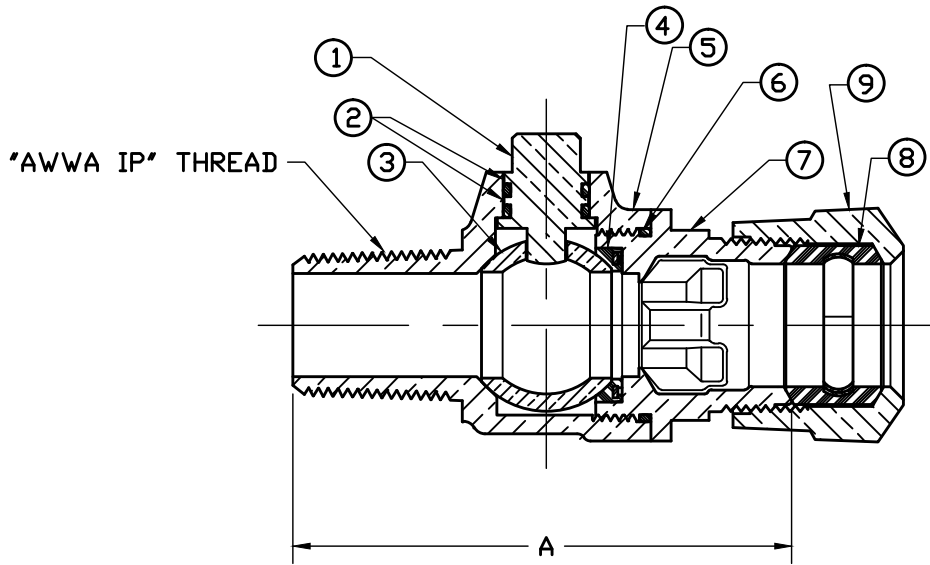


No.	DESCRIPTION	MATERIAL
1	STEM	CAST LOW LEAD BRASS ALLOY
2	O-RING	EPDM ASTM D2000
3	BALL	CAST LOW LEAD BRASS ALLOY
4	GASKET - SEAL	NITRILE ASTM D2000
5	BODY	CAST LOW LEAD BRASS ALLOY
6	O-RING	EPDM ASTM D2000
7	END PIECE	CAST LOW LEAD BRASS ALLOY
8	CTS GSKT SUB	SBR ASTM D2000 -GSKT 410ss -BAND
9	CONNX NUT	CAST BRASS ASTM B62 ALLOY C83600



VALVE SIZE	A
3/4	3-5/8"
1	4-41/64"
1 1/2	5-5/32"
2	5-39/64"

PART NUMBER
E1935SG
JJ-MRKTG

FILEPATH: PROD-ENG\JJ\SUBMITTALS\E1935SG

REV	ECR	DESCRIPTION	DATE	BY	CHKR	DRFTR	RWB	6/9/08	JAMES JONES CO.	
									UNLESS OTHERWISE NOTED	
									THIRD ANGLE PROJECTION	
									SURFACE PREPARATION:	
									BREAK CORNER(S) ---- .000	
									SURFACE FINISH -- XX RMS	
									TOLERANCE(S):	
									LINEAR ----- ± .000	
									ANGULAR ----- ± 0°00'	
									REF. No.	SCALE
									PART NUMBER	
									E1935SG	
									DESCR. BALL TYPE CORPORATION VALVE (“MIP” x 110 CTS)	