



Rhythm®
Under-mount Bathroom Sink
K-2602-SU

Features

- 20-gauge stainless steel.
- Under-mount.
- Oval basin.
- Without overflow.
- No faucet holes; requires wall- or counter-mount faucet.
- 18" (457 mm) x 13" (330 mm)

Recommended Accessories

- K- 7114 Pop-Up Drain
- K- 7127 Drain
- K- 7129 Drain
- K- 8998 P-Trap

Components

Additional included component/s: Basin clamp assembly, drain gasket, and tube.



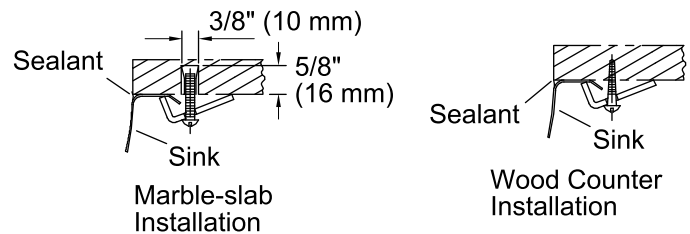
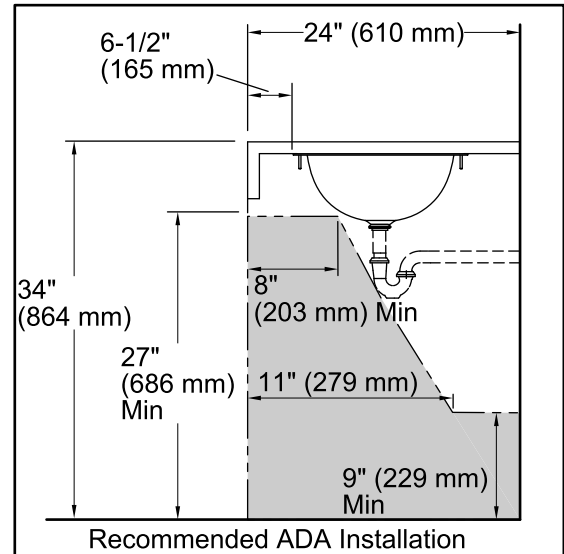
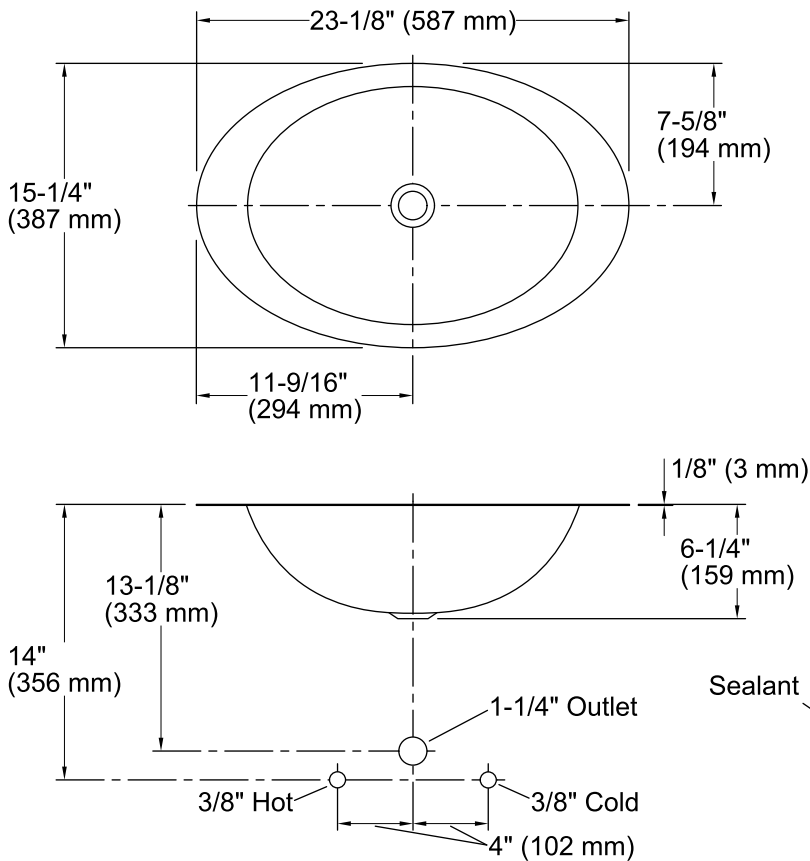
ADA

Codes/Standards

ASME A112.19.3/CSA B45.4
ADA
ICC/ANSI A117.1

KOHLER® One-Year Limited Warranty

See website for detailed warranty information.



Technical Information

All product dimensions are nominal.

Bowl configuration:	Single
Installation:	Under-mount
Bowl area (Only)	Length: 18" (457 mm) Width: 13" (330 mm) Water depth: 5-7/8" (149 mm)
Drain hole:	1-5/8" (41 mm)
Template:	Under-mount, 1000258-7, required, included

Notes

Install this product according to the installation guide.

Supplied basin clamp assembly requires 3/4" (19 mm) minimum countertop thickness. Installer must supply anchors for thinner countertops.

NOTICE: Countertop manufacturer or cutter must use the cut-out template provided by Kohler Co. (call 1-800-4-KOHLER). Kohler Co. is not responsible for cut out errors when the incorrect cut out template is used.

Waterproof the unprotected overhang area of the underside of the wood counter.

ADA compliant when installed to the specific requirements of these regulations.