



RAPM

Parts List
29-December-2016



*This parts list is current as of the above revision date.
See <http://www.rheempartslists.net/92-42800-RAPM.pdf> for the current revision.*

Condensing Units

Table of Contents

Model Explanation	Page 3
Parts Numbers	
Panels - Miscellaneous (Granite-Steel Gray)	Page 4
Panels - Miscellaneous (Neutra Green)	Page 5
Electrical Group	Page 6
Fan Group	Page 7
Coil Parts	Page 8
Compressor Group	Page 9
Accessories	Page 10
Drawings/Photographs	
Exploded View	Page 11
Control Box Assembly (JAZ)	Page 12
Control Box Assembly (JEZ)	Page 13
Notes/Disclaimer	Page 14

MODEL NUMBER EXPLANATION

R	A	P	M	-	0	1	8	J	A	Z
(1)	(2)	(3)	(4)			(5)		(6)	(7)	(8)

- | | |
|---|--|
| <p>(1) TRADEBRAND IDENTIFICATION</p> <p>(2) MODEL
A= CONDENSING UNIT</p> <p>(3) TYPE
P= 14 SEER</p> <p>(4) DESIGN SERIES / VARIATION
M= R-410A</p> <p>(5) COOLING CAPACITY
018= 18,000 BTU/HR
024= 24,000 BTU/HR
030= 30,000 BTU/HR
036= 36,000 BTU/HR
042= 42,000 BTU/HR
048= 48,000 BTU/HR
056= 54,000 BTU/HR
060= 60,000 BTU/HR</p> | <p>(6) ELECTRICAL DESIGNATION
J= 208-230/1/60</p> <p>(7) VARIATIONS
A= FULL FEATURED
E= ELECTRONIC</p> <p>(8) COMPRESSOR
Z= SWEAT W/ SCROLL</p> |
|---|--|

SERIAL NUMBER EXPLANATION

7	9	6	3	M	2	7	0	9	9	9	9	9
(1)				(2)	(3)		(4)		(5)			

- (1) COMPRESSOR IDENTIFICATION NUMBER**
- (2) PRODUCTION LOCATION**
M = Milledgeville, GA
- (3) WEEK OF PRODUCTION**
- (4) YEAR OF PRODUCTION**
- (5) PRODUCTION NUMBER**

No.	Notes	MODEL COOLING CAPACITY	RAPM -018	RAPM -024	RAPM -030	RAPM -036
SHEET METAL PARTS, MISCELLANEOUS (Granite/Steel Gray, On or After Date Code 4811)						
1		Base Pan	AE-58426-82	AE-58426-83	AE-58426-83	AE-58426-83
2		Button Plug	45-22980-07	45-22980-07	45-22980-07	45-22980-07
3		Cabinet	AE-100609-83	AE-100609-88	AE-100609-88	AE-100609-87
4		Top Panel	AE-100618-82	AE-100618-85	AE-100618-85	AE-100618-85
5		Grille	95-100906-02	95-100906-04	95-100906-04	95-100906-04
6		Control Box - All models except JEZ	AE-100633-01	AE-100633-01	AE-100633-01	AE-100633-01
6	1	Control Box - JEZ Models - See Note 1	10-102307-01	10-102307-01	10-102307-01	10-102307-01
6a		Capacitor Adapter Plate (2 in. round capacitor)	AE-54609-01	AE-54609-01	AE-54609-01	AE-54609-01
6a		Capacitor Adapter Plate (2 in. X 1-1/4 in. oval capacitor)	AE-54609-02	AE-54609-02	AE-54609-02	AE-54609-02
6b		Capacitor Strap - Start Capacitor	AE-50892-51	AE-50892-51	AE-50892-51	AE-50892-51
7		Access Panel	AE-100617-83	AE-100617-88	AE-100617-88	AE-100617-87
8		Service Valve - Suction	61-21368-15	61-21368-15	61-21368-15	61-21368-15
9		Service Valve - Liquid	61-101160-13	61-101160-13	61-101160-13	61-101160-13
		Touch-up Paint - Gray (Aerosol)	523009	523009	523009	523009
		Touch-up Paint - Gray (Paint Pens)	523011	523011	523011	523011

No.	Notes	MODEL COOLING CAPACITY	RAPM -042	RAPM -048	RAPM -056	RAPM -060
SHEET METAL PARTS, MISCELLANEOUS (Granite/Steel Gray, On or After Date Code 4811)						
1		Base Pan	AE-58426-83	AE-58426-83	AE-58426-83	AE-58426-83
2		Button Plug	45-22980-07	45-22980-07	45-22980-07	45-22980-07
3		Cabinet	AE-100609-87	AE-100609-87	AE-100609-87	AE-100609-87
4		Top Panel	AE-100618-85	AE-100618-85	AE-100618-85	AE-100618-85
5		Grille	95-100906-04	95-100906-04	95-100906-04	95-100906-04
6		Control Box - All models except JEZ	AE-100633-01	AE-100633-01	AE-100633-01	AE-100633-01
6	1	Control Box - JEZ Models - See Note 1	10-102307-01	10-102307-01	10-102307-01	10-102307-01
6a		Capacitor Adapter Plate (2 in. round capacitor)	AE-54609-01	AE-54609-01	AE-54609-01	AE-54609-01
6a		Capacitor Adapter Plate (2 in. X 1-1/4 in. oval capacitor)	AE-54609-02	AE-54609-02	AE-54609-02	AE-54609-02
6b		Capacitor Strap - Start Capacitor	AE-50892-51	AE-50892-51	AE-50892-51	AE-50892-51
7		Access Panel	AE-100617-87	AE-100617-87	AE-100617-87	AE-100617-87
8		Service Valve - Suction	61-21368-16	61-21368-16	61-21368-16	61-21368-16
9		Service Valve - Liquid	61-101160-13	61-101160-13	61-101160-13	61-101160-13
		Touch-up Paint - Gray (Aerosol)	523009	523009	523009	523009
		Touch-up Paint - Gray (Paint Pens)	523011	523011	523011	523011

No.	Notes	MODEL COOLING CAPACITY	RAPM -018	RAPM -024	RAPM -030	RAPM -036
SHEET METAL PARTS, MISCELLANEOUS (Neutra Green, Before Date Code 4811)						
1		Base Pan	AE-58426-02	AE-58426-03	AE-58426-03	AE-58426-03
2		Button Plug	45-22980-07	45-22980-07	45-22980-07	45-22980-07
3		Cabinet	AE-100609-03	AE-100609-08	AE-100609-08	AE-100609-07
4		Top Panel	AE-100618-02	AE-100618-05	AE-100618-05	AE-100618-05
5		Grille	95-100906-02	95-100906-04	95-100906-04	95-100906-04
6		Control Box - All models except JEZ	AE-100633-01	AE-100633-01	AE-100633-01	AE-100633-01
6	1	Control Box - JEZ Models - See Note 1	10-102307-01	10-102307-01	10-102307-01	10-102307-01
6a		Capacitor Adapter Plate (2 in. round capacitor)	AE-54609-01	AE-54609-01	AE-54609-01	AE-54609-01
6a		Capacitor Adapter Plate (2 in. X 1-1/4 in. oval capacitor)	AE-54609-02	AE-54609-02	AE-54609-02	AE-54609-02
6b		Capacitor Strap - Start Capacitor	AE-50892-51	AE-50892-51	AE-50892-51	AE-50892-51
7		Access Panel	AE-100617-03	AE-100617-08	AE-100617-08	AE-100617-07
8		Service Valve - Suction	61-21368-15	61-21368-15	61-21368-15	61-21368-15
9		Service Valve - Liquid	61-101160-13	61-101160-13	61-101160-13	61-101160-13
		Touch-up Paint (Aerosol)	52-18662-48	52-18662-48	52-18662-48	52-18662-48
		Touch-up Paint (Paint Pens)	523010	523010	523010	523010

No.	Notes	MODEL COOLING CAPACITY	RAPM -042	RAPM -048	RAPM -056	RAPM -060
SHEET METAL PARTS, MISCELLANEOUS (Neutra Green, Before Date Code 4811)						
1		Base Pan	AE-58426-03	AE-58426-03	AE-58426-03	AE-58426-03
2		Button Plug	45-22980-07	45-22980-07	45-22980-07	45-22980-07
3		Cabinet	AE-100609-07	AE-100609-07	AE-100609-07	AE-100609-07
4		Top Panel	AE-100618-05	AE-100618-05	AE-100618-05	AE-100618-05
5		Grille	95-100906-04	95-100906-04	95-100906-04	95-100906-04
6		Control Box - All models except JEZ	AE-100633-01	AE-100633-01	AE-100633-01	AE-100633-01
6	1	Control Box - JEZ Models - See Note 1	10-102307-01	10-102307-01	10-102307-01	10-102307-01
6a		Capacitor Adapter Plate (2 in. round capacitor)	AE-54609-01	AE-54609-01	AE-54609-01	AE-54609-01
6a		Capacitor Adapter Plate (2 in. X 1-1/4 in. oval capacitor)	AE-54609-02	AE-54609-02	AE-54609-02	AE-54609-02
6b		Capacitor Strap - Start Capacitor	AE-50892-51	AE-50892-51	AE-50892-51	AE-50892-51
7		Access Panel	AE-100617-07	AE-100617-07	AE-100617-07	AE-100617-07
8		Service Valve - Suction	61-21368-16	61-21368-16	61-21368-16	61-21368-16
9		Service Valve - Liquid	61-101160-13	61-101160-13	61-101160-13	61-101160-13
		Touch-up Paint (Aerosol)	52-18662-48	52-18662-48	52-18662-48	52-18662-48
		Touch-up Paint (Paint Pens)	523010	523010	523010	523010

No.	Notes	MODEL COOLING CAPACITY ELECTRICAL DESIGNATION	RAPM -018 JAZ	RAPM -024 JAZ	RAPM -030 JAZ	RAPM -036 JAZ
ELECTRICAL GROUP						
CONTROL BOX COMPONENTS:						
10	Stk	Contactator	42-42139-05	42-42139-05	42-42139-05	42-42139-05
11		Capacitor	See Compressor Group			
12		Start Relay	See Compressor Group			
13		Capacitor - Compressor Start	See Compressor Group			
		High/Low Pressure Controls	See Coil Group			

No.	Notes	MODEL COOLING CAPACITY ELECTRICAL DESIGNATION	RAPM -018 JEZ	RAPM -024 JEZ	RAPM -030 JEZ	RAPM -036 JEZ
ELECTRICAL GROUP						
CONTROL BOX COMPONENTS:						
11		Capacitor	See Compressor Group			
12		Start Relay	See Compressor Group			
13		Capacitor - Compressor Start	See Compressor Group			
14	Stk	Control Board	47-102090-01	47-102090-01	47-102090-01	47-102090-01
		High/Low Pressure Controls	See Coil Group			
		Wiring Harness - Fan Motor	See Fan Group			
		Wiring Harnesses	See Note 1			

No.	Notes	MODEL COOLING CAPACITY ELECTRICAL DESIGNATION	RAPM -042 JAZ	RAPM -048 JAZ	RAPM -056 JAZ	RAPM -060 JAZ
ELECTRICAL GROUP						
CONTROL BOX COMPONENTS:						
10	Stk	Contactator	42-42139-05	42-42478-02	42-42478-02	42-42478-02
11		Capacitor - Fan Motor/Compressor	See Compressor Group			
12		Start Relay	See Compressor Group			
13		Capacitor - Compressor Start	See Compressor Group			
		High/Low Pressure Controls	See Coil Group			

No.	Notes	MODEL COOLING CAPACITY ELECTRICAL DESIGNATION	RAPM -042 JEZ	RAPM -048 JEZ	RAPM -056 JEZ	RAPM -060 JEZ
ELECTRICAL GROUP						
CONTROL BOX COMPONENTS:						
11		Capacitor - Fan Motor/Compressor	See Compressor Group			
12		Start Relay	See Compressor Group			
13		Capacitor - Compressor Start	See Compressor Group			
14	Stk	Control Board	47-102090-01	47-102090-01	47-102090-01	47-102090-01
		High/Low Pressure Controls	See Coil Group			
		Wiring Harness - Fan Motor	See Fan Group			
		Wiring Harnesses	See Note 1			

No.	Notes	MODEL COOLING CAPACITY ELECTRICAL DESIGNATION	RAPM -018 J	RAPM -024 J	RAPM -030 J	RAPM -036 J
FAN GROUP						
15	Stk	Fan Motor - Before Date Code 2710	51-102870-03	51-102008-07	51-102870-03	51-102870-03
15	Stk	Fan Motor - On or After Date Code 2710	51-102870-03	51-102008-07	51-102008-08	51-102008-08
16	Stk	Fan Blade	70-102011-06	70-102011-10	70-21858-17	70-21858-17
	Stk,1	Wiring Harness - Units with PSC Fan Motor (6 Pin on Board to single Quick Connect on Board, JEZ Models) - See Note 1	N/A	45-102120-01	45-102120-01	45-102120-01
	Stk,1	Wiring Harness - ECM Fan Motor (6 Pin on Board to three Quick Connects, JEZ Models) - See Note 1	45-102122-02	N/A	45-102122-02	45-102122-02

No.	Notes	MODEL COOLING CAPACITY ELECTRICAL DESIGNATION	RAPM -042 J	RAPM -048 J	RAPM -056 J	
FAN GROUP						
15	Stk	Fan Motor - Before Date Code 1112	51-102728-11	51-102728-13	51-102728-13	
15	Stk	Fan Motor - On or After Date Code 1112	51-102728-11	51-101774-13	51-102728-13	
16	Stk	Fan Blade - Before Date Code 1112	70-104092-01	70-21858-17	70-21858-17	
16	Stk	Fan Blade - On or After Date Code 1112	70-104092-01	70-104092-01	70-21858-17	
	Stk,1	Wiring Harness - Units with PSC Fan Motor (6 Pin on Board to single Quick Connect on Board, JEZ Models) - See Note 1	N/A	45-102120-01	N/A	
	Stk,1	Wiring Harness - ECM Fan Motor (6 Pin on Board to three Quick Connects, JEZ Models) - See Note 1	45-102122-02	45-102122-02	45-102122-02	

No.	Notes	MODEL COOLING CAPACITY ELECTRICAL DESIGNATION				RAPM -060 J
FAN GROUP						
15	Stk	Fan Motor - Before Date Code 1112				51-102728-12
15	Stk	Fan Motor - On or After Date Code 1112				51-102008-09
16	Stk	Fan Blade - Before Date Code 1112				70-21858-17
16	Stk	Fan Blade - On or After Date Code 1112				70-102011-20
	Stk,1	Wiring Harness - Units with PSC Fan Motor (6 Pin on Board to single Quick Connect on Board, JEZ Models) - See Note 1				45-102120-01
	Stk,1	Wiring Harness - ECM Fan Motor (6 Pin on Board to three Quick Connects, JEZ Models) - See Note 1				45-102122-02

Wiring Harness - 6 Pin on Board to single Quick Connect on Board (JEZ Models)

No.	Notes	MODEL COOLING CAPACITY ELECTRICAL DESIGNATION	RAPM -018 JAZ	RAPM -024 JAZ	RAPM -030 JAZ	RAPM -036 JAZ
COIL GROUP						
17	Stk	Condenser Coil	AS-102135-03	AS-102432-03	AS-102432-03	AS-102978-03
	Stk	Filter Drier	83-22755-06	83-22755-05	83-22755-05	83-22755-05
	Stk	High Pressure Control (Straight with 1/4 inch connection) - Before Date Code 0311	47-26184-01	47-26184-01	47-26184-01	47-26184-01
	Stk	High Pressure Control (90 Deg Elbow with 1/4 inch connection) - On or After Date Code 0311	47-103669-01	47-103669-01	47-103669-01	47-103669-01
	Stk	Low Pressure Control (90 Deg Elbow with 5/16 inch connection) - Before Date Code 0311	47-26185-02	47-26185-02	47-26185-02	47-26185-02
	Stk	Low Pressure Control (90 Deg Elbow with 1/4 inch connection) - On or After Date Code 0311	47-103670-01	47-103670-01	47-103670-01	47-103670-01

No.	Notes	MODEL COOLING CAPACITY ELECTRICAL DESIGNATION	RAPM -018 JEZ	RAPM -024 JEZ	RAPM -030 JEZ	RAPM -036 JEZ
COIL GROUP						
17	Stk	Condenser Coil	AS-102135-03	AS-102432-03	AS-102432-03	AS-102978-03
	Stk	Filter Drier	83-22755-06	83-22755-05	83-22755-05	83-22755-05
	Stk	High Pressure Control (Straight with 1/4 inch connection) - Before Date Code 0311	47-26184-01	47-26184-01	47-26184-01	47-26184-01
	Stk	High Pressure Control (90 Deg Elbow with 1/4 inch connection) - On or After Date Code 0311	47-103669-01	47-103669-01	47-103669-01	47-103669-01
	Stk	Low Pressure Control (90 Deg Elbow with 5/16 inch connection) - Before Date Code 0311	47-101529-04	47-101529-04	47-101529-04	47-101529-04
	Stk	Low Pressure Control (90 Deg Elbow with 1/4 inch connection) - On or After Date Code 0311	47-103670-02	47-103670-02	47-103670-02	47-103670-02

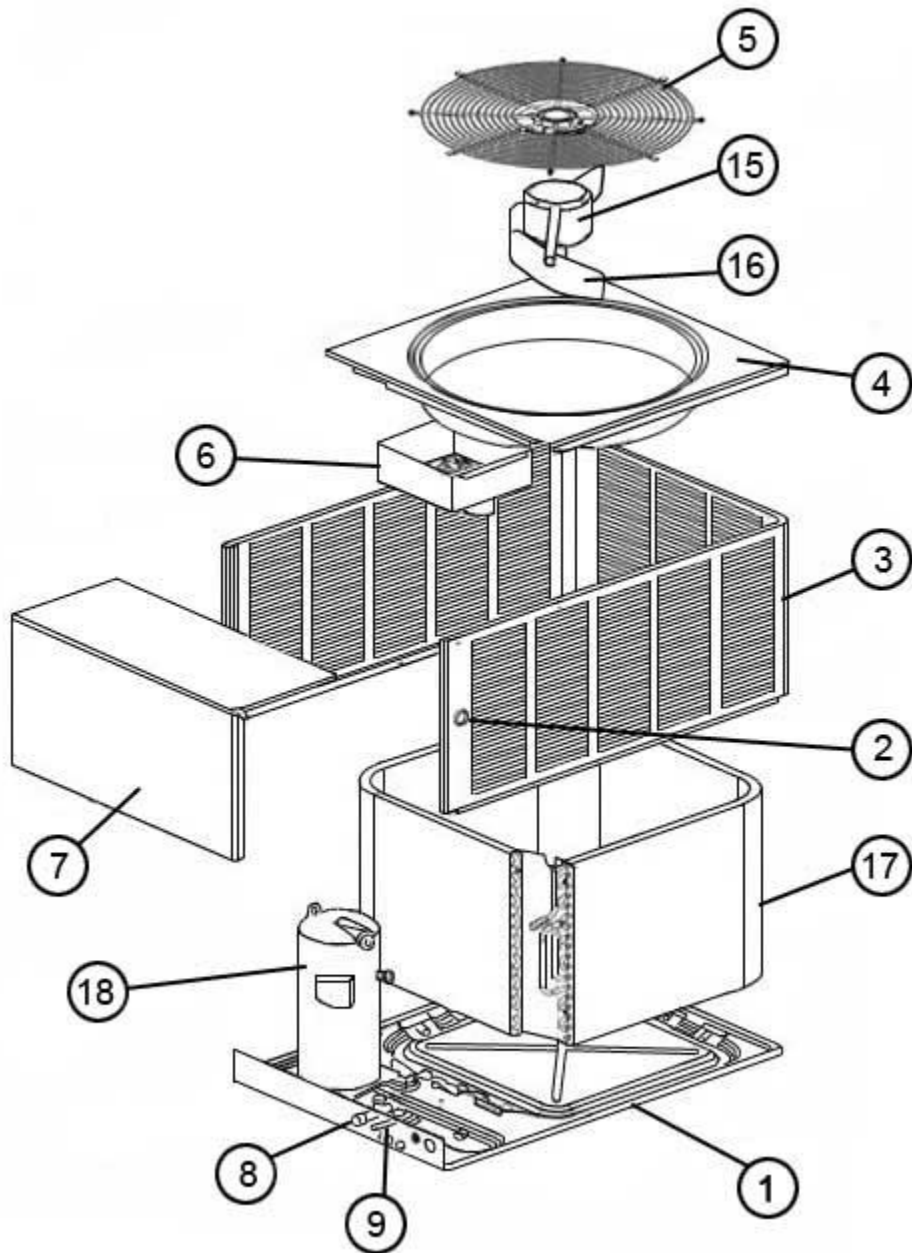
No.	Notes	MODEL COOLING CAPACITY ELECTRICAL DESIGNATION	RAPM -042 JAZ	RAPM -048 JAZ	RAPM -056 JAZ	RAPM -060 JAZ
COIL GROUP						
17	Stk	Condenser Coil - Before Date Code 2611	AS-101959-03	AS-102661-01	AS-102661-01	AS-102661-01
17	Stk	Condenser Coil - On or After Date Code 2611	AS-104062-03	AS-102661-01	AS-102661-01	AS-102661-01
	Stk	Filter Drier	83-22755-05	83-22755-05	83-22755-05	83-22755-05
	Stk	High Pressure Control (Straight with 1/4 inch connection) - Before Date Code 0311	47-26184-01	47-26184-01	47-26184-01	47-26184-01
	Stk	High Pressure Control (90 Deg Elbow with 1/4 inch connection) - On or After Date Code 0311	47-103669-01	47-103669-01	47-103669-01	47-103669-01
	Stk	Low Pressure Control (90 Deg Elbow with 5/16 inch connection) - Before Date Code 0311	47-26185-02	47-26185-02	47-26185-02	47-26185-02
	Stk	Low Pressure Control (90 Deg Elbow with 1/4 inch connection) - On or After Date Code 0311	47-103670-01	47-103670-01	47-103670-01	47-103670-01

No.	Notes	MODEL COOLING CAPACITY ELECTRICAL DESIGNATION	RAPM -042 JEZ	RAPM -048 JEZ	RAPM -056 JEZ	RAPM -060 JEZ
COIL GROUP						
17	Stk	Condenser Coil - Before Date Code 2611	AS-101959-03	AS-102661-01	AS-102661-01	AS-102661-01
17	Stk	Condenser Coil - On or After Date Code 2611	AS-104062-03	AS-102661-01	AS-102661-01	AS-102661-01
	Stk	Filter Drier	83-22755-05	83-22755-05	83-22755-05	83-22755-05
	Stk	High Pressure Control (Straight with 1/4 inch connection) - Before Date Code 0311	47-26184-01	47-26184-01	47-26184-01	47-26184-01
	Stk	High Pressure Control (90 Deg Elbow with 1/4 inch connection) - On or After Date Code 0311	47-103669-01	47-103669-01	47-103669-01	47-103669-01
	Stk	Low Pressure Control (90 Deg Elbow with 5/16 inch connection) - Before Date Code 0311	47-101529-04	47-101529-04	47-101529-04	47-101529-04
	Stk	Low Pressure Control (90 Deg Elbow with 1/4 inch connection) - On or After Date Code 0311	47-103670-02	47-103670-02	47-103670-02	47-103670-02

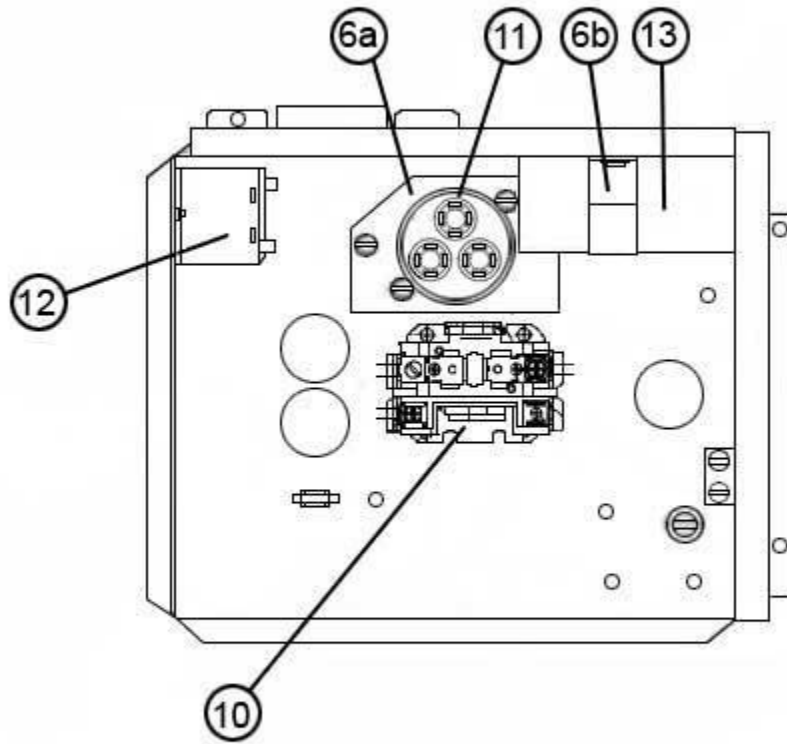
No.	Notes	MODEL COOLING CAPACITY ELECTRICAL DESIGNATION	RAPM -018 J	RAPM -024 J	RAPM -030 J	RAPM -036 J
COMPRESSOR GROUP						
		Compressor ID:	7963	7964	7965	7966
18	Stk	Compressor	55-102045-14S	55-102045-24S	55-102045-31S	55-102045-03S
	Stk	Compressor Wiring Harness (Molded Plug) - All models except JEZ	45-100834-80	45-100834-80	45-100834-80	45-100834-80
	Stk,1	Compressor Wiring Harness (Molded Plug) - JEZ - See Note 1	45-100834-07	45-100834-07	45-100834-07	45-100834-07
11	Stk	Capacitor - Compressor/Fan (Before Date Code 2710)	N/A	43-26271-50	N/A	N/A
11	Stk	Capacitor - Compressor (Before Date Code 2710)	43-100510-36	N/A	43-100510-24	43-100510-37
11	Stk	Capacitor - Compressor/Fan (On or After Date Code 2710)	N/A	43-26271-50	43-101665-09	43-101665-41
11	Stk	Capacitor - Compressor (On or After Date Code 2710)	43-100510-36	N/A	N/A	N/A
12	Stk	Start Relay	42-100491-09	42-100491-09	42-100491-09	42-100491-09
13	Stk	Start Capacitor	43-17075-04	43-17075-04	43-17075-04	43-17075-04

No.	Notes	MODEL COOLING CAPACITY ELECTRICAL DESIGNATION	RAPM -042 J	RAPM -048 J	RAPM -056 J	RAPM -060 J
COMPRESSOR GROUP						
		Compressor ID:	7967	7968	8256	7969
18	Stk	Compressor	55-102045-15S	55-102045-09S	55-102045-58S	55-102045-26S
		Crankcase Heater	N/A	44-101884-01	44-101884-01	44-101884-01
	Stk	Compressor Wiring Harness (Molded Plug) - All models except JEZ	45-100834-80	45-100834-80	45-100834-80	45-100834-80
	Stk,1	Compressor Wiring Harness (Molded Plug) - JEZ - See Note 1	45-100834-07	45-100834-08	45-100834-08	45-100834-08
11	Stk	Capacitor - Compressor (Before Date Code 1112)	43-100510-37	43-100510-29	43-100510-29	43-100510-29
11	Stk	Capacitor - Compressor/Fan (Before Date Code 1112)	N/A	N/A	N/A	N/A
11	Stk	Capacitor - Compressor (On or After Date Code 1112)	43-100510-37	N/A	43-100510-29	N/A
11	Stk	Capacitor - Compressor/Fan (On or After Date Code 1112)	N/A	43-101665-53	N/A	43-101665-53
12	Stk	Start Relay	42-100491-09	42-100491-09	42-100491-09	42-100491-09
13	Stk	Start Capacitor	43-17075-04	43-17075-04	43-17075-04	43-17075-04

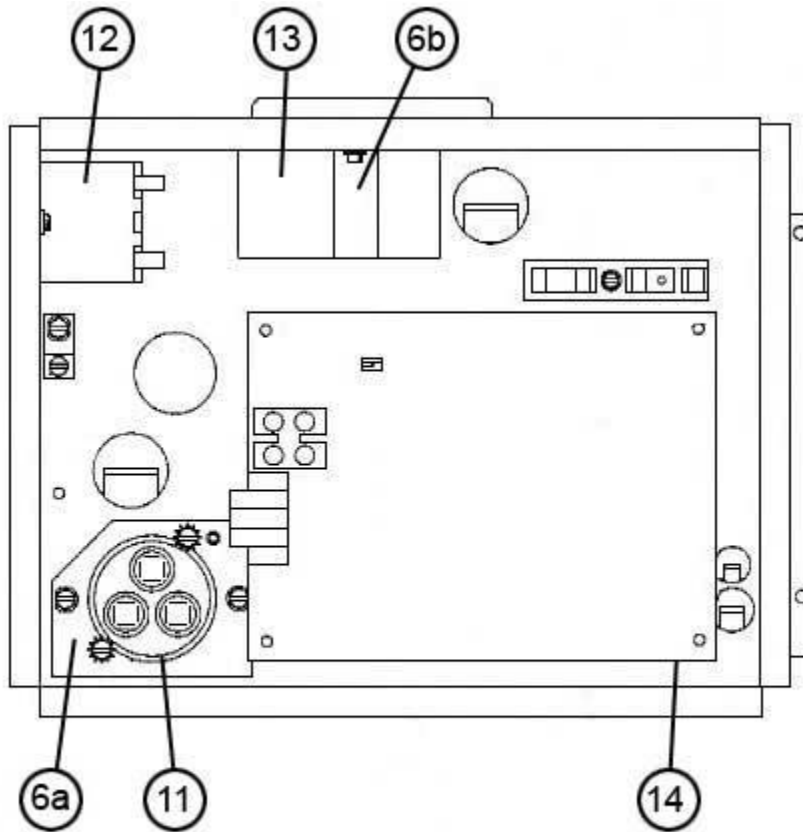
No.	Notes	MODEL VARIATIONS	RAPM ALL
ACCESSORIES			
		Low Ambient Control	RXAD-A08
		Compressor Time Delay	RXMD-B01



Exploded View



Control Box Assembly (JAZ)



Control Box Assembly (JEZ)

NOTES

Stk It is recommended that stock be maintained for this part.

N/A Not Applicable

- 1 Wiring Harnesses not listed individually are included with the JEZ model Control Box (item 6).

DISCLAIMER: This document is intended to provide general replacement parts information to aid qualified service personnel in the repair of these models. The complete Model and Serial Number of the unit under repair should be specified when selecting and ordering replacement parts. Specifications and illustrations are subject to change without notice. Document 92-42800-RAPM supersedes all previous parts lists for these models. See <http://www.rheempartslists.net/92-42800-RAPM> for the latest revision of this document. The manufacturer assumes no obligation for errors or omissions. Service personnel must verify the proper and safe operation of equipment after the replacement of any original components.