

### Features

- Vitreous china
- Under-mount
- With or without overflow
- Available with KOHLER Artist Editions designs
- Includes 1193643 clamp assembly, unless specified
- 15" (381 mm) x 12" (305 mm)
- 17" (432 mm) x 14" (356 mm)
- 19" (483 mm) x 15" (381 mm)

### UNDER-MOUNT BATHROOM SINK K-2210

ALSO K-2211, K-2209

ADA

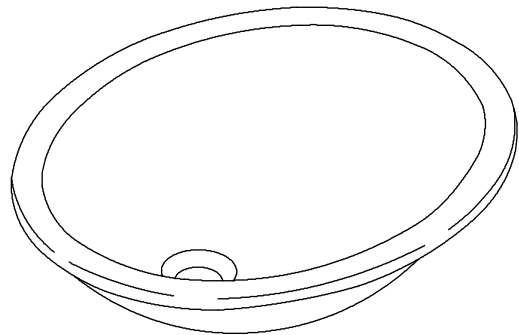
CSA B651

OBC

### Codes/Standards Applicable

Specified model meets or exceeds the following:

- ADA
- ICC/ANSI A117.1
- CSA B651
- OBC
- ASME A112.19.2/CSA B45.1



### Colors/Finishes

- 0: White
- Other: Refer to Price Book for additional colors/finishes

### Accessories

- CP: Polished Chrome
- Other: Refer to Price Book for additional colors/finishes

### Specified Model

Model	Description	Colors/Finishes	
K-2209	Bathroom sink, 15" (381 mm) x 12" (305 mm), w/overflow, w/clamps	<input type="checkbox"/> 0	<input type="checkbox"/> Other_____
K-2210	Bathroom sink, 17" (432 mm) x 14" (356 mm), w/overflow, w/clamps	<input type="checkbox"/> 0	<input type="checkbox"/> Other_____
K-2210-G	Bathroom sink, 17" (432 mm) x 14" (356 mm), w/glazed underside, w/o overflow, w/clamps	<input type="checkbox"/> 0	<input type="checkbox"/> Other_____
K-2210-L	Bathroom sink, 17" (432 mm) x 14" (356 mm), w/overflow, w/o clamps	<input type="checkbox"/> 0	<input type="checkbox"/> Other_____
K-2210-N	Bathroom sink, 17" (432 mm) x 14" (356 mm), w/o overflow, w/clamps	<input type="checkbox"/> 0	<input type="checkbox"/> Other_____
K-2211	Bathroom sink, 19" (483 mm) x 15" (381 mm), w/overflow, w/clamps	<input type="checkbox"/> 0	<input type="checkbox"/> Other_____
K-2211-G	Bathroom sink, 19" (483 mm) x 15" (381 mm), w/glazed underside, w/o overflow, w/clamps	<input type="checkbox"/> 0	<input type="checkbox"/> Other_____
K-2211-L	Bathroom sink, 19" (483 mm) x 15" (381 mm), w/overflow, w/o clamps	<input type="checkbox"/> 0	<input type="checkbox"/> Other_____

### Product Specification:

The under-mount bathroom sink shall be made of vitreous china. Bathroom sink shall be available with or without overflow. Bathroom sink shall be 15" (381 mm) in length and 12" (305 mm) in width, 17" (432 mm) in length and 14" (356 mm) in width, or 19" (483 mm) in length and 15" (381 mm) in width. Bathroom sink shall include 1193643 clamp assembly for all models except K-2210-L and K-2211-L. Bathroom sink shall be available with KOHLER Artist Editions designs. Bathroom sink shall be Kohler Model K-\_\_\_\_\_-\_\_\_\_ or K-\_\_\_\_\_-\_\_\_\_\_-\_\_\_\_\_.

## Technical Information

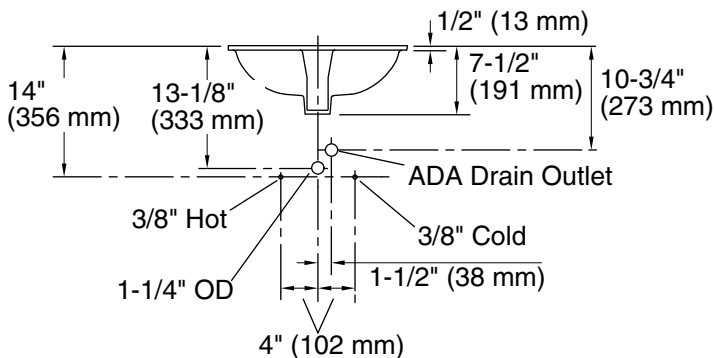
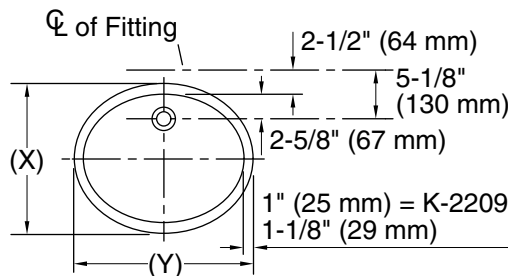
Recommended Accessories			
K-8998	P-Trap	<input type="checkbox"/> CP	<input type="checkbox"/> Other_____

Fixture*:	Basin area	Water depth
K-2209	15" (381 mm) x 12" (305 mm)	4" (102 mm)
K-2210/K-2210-L/ K-2210-N/K-2210-G	17" (432 mm) x 14" (356 mm)	4" (102 mm)
K-2211/K-2211-G/ K-2211-L	19" (483 mm) x 15" (381 mm)	4" (102 mm)
Drain hole	Ø 1-3/4" (44 mm)	
* Approximate measurements for comparison only.		

Cutout template, K-2209	85838-7
Cutout template, K-2210	1151011-7
Cutout template, K-2211	1018997-7

Included components:	
Basin clamp assembly (not included with K-2210-L and K-2211-L)	1193643

K-2209: (X) = 14" (356 mm), (Y) = 17" (432 mm)  
 K-2210: (X) = 16-1/4" (413 mm), (Y) = 19-1/4" (489 mm)  
 K-2211: (X) = 17-1/4" (438 mm), (Y) = 21-1/4" (540 mm)



Standard Installation

## Installation Notes

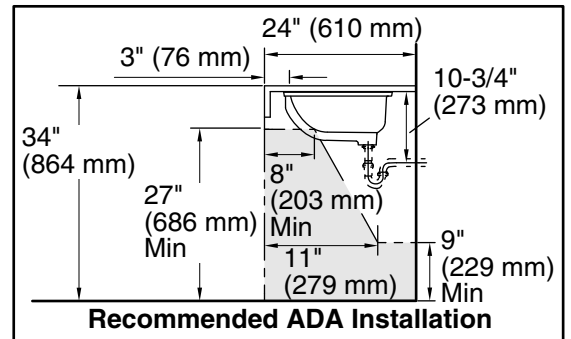
Install this product according to the installation guide.

**NOTICE:** Countertop manufacturer or cutter must use the current product template available at [www.kohler.com](http://www.kohler.com), or by calling 1-800-4KOHLER. Kohler Co. is not responsible for cutout errors when the incorrect cutout template is used.

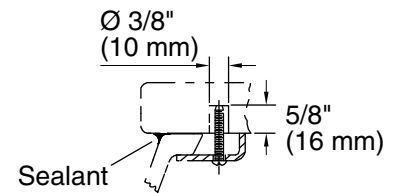
Will comply with **ADA** when installed per Section 606 Lavatories and Sinks of the 2010 ADA Standards for Accessible Design.

Will comply with **CSA B651** when installed per Clause 4.3.3 of the standard.

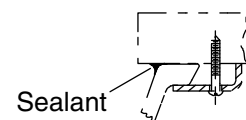
Will comply with **OBC** when installed per Clause 3.8.3.11.



Recommended ADA Installation



Marble Installation



Wood Installation

## Product Diagram